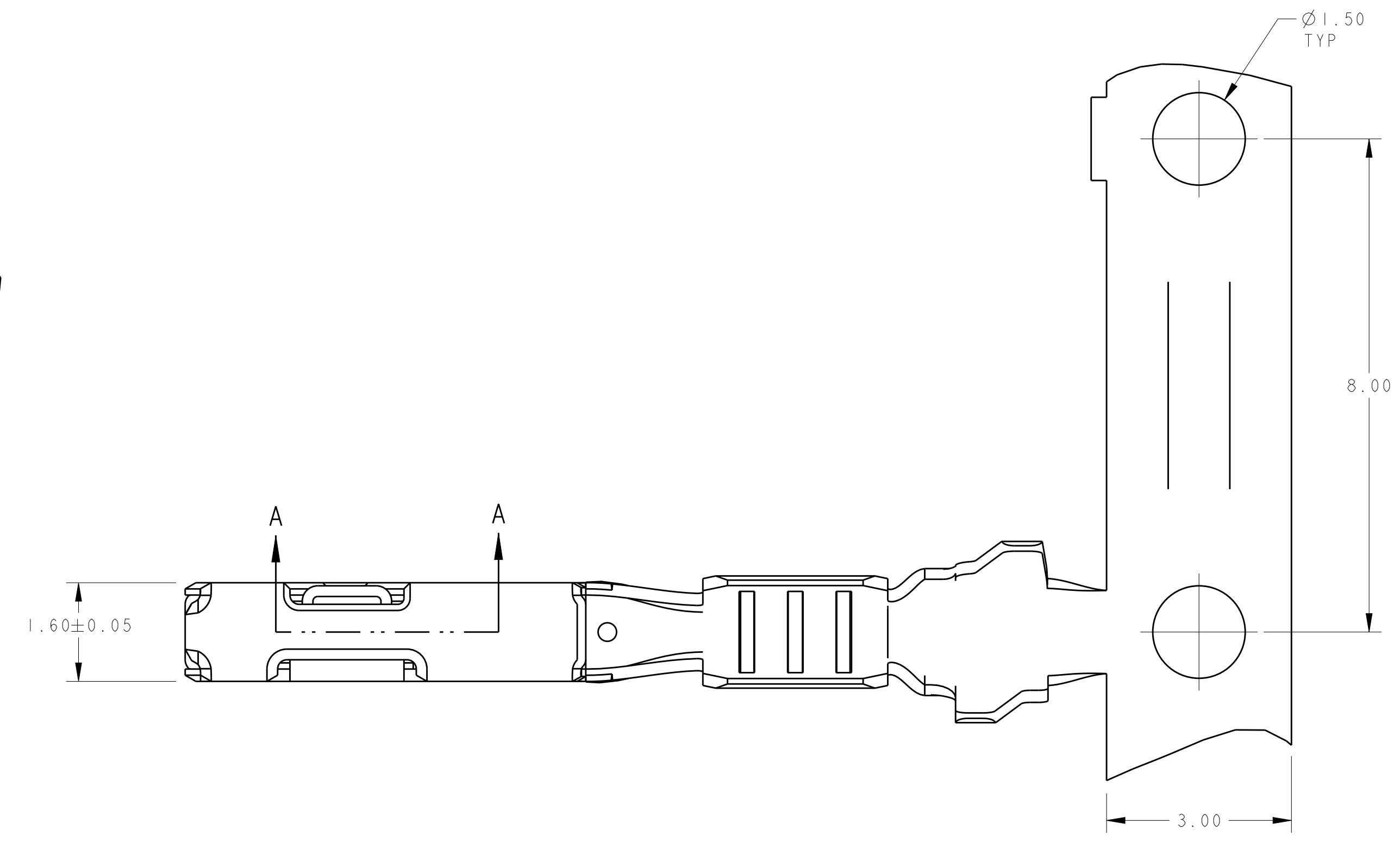
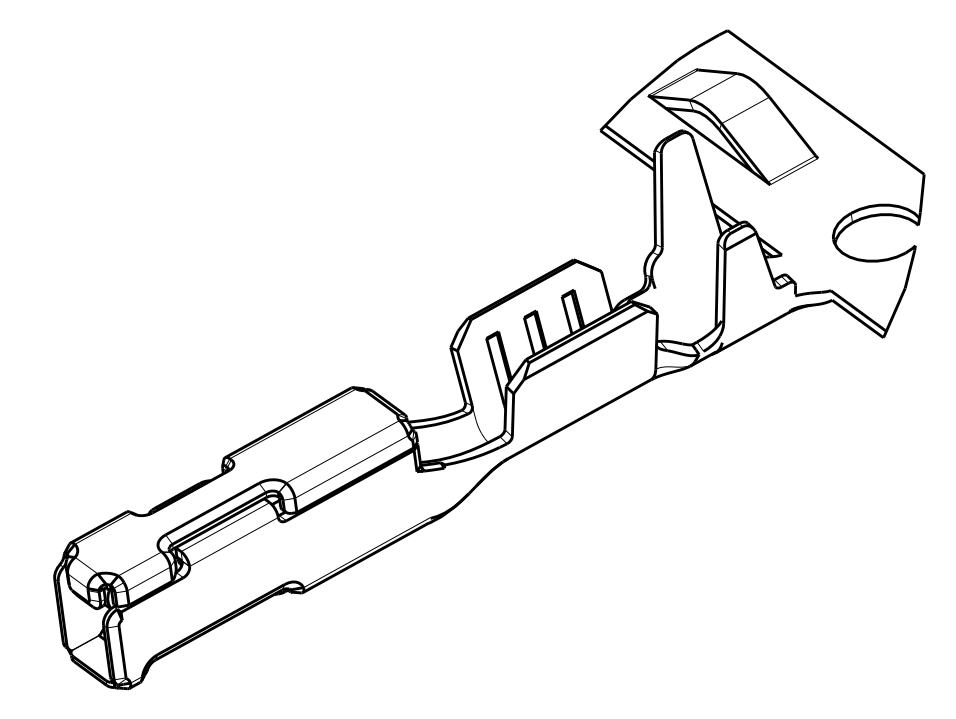
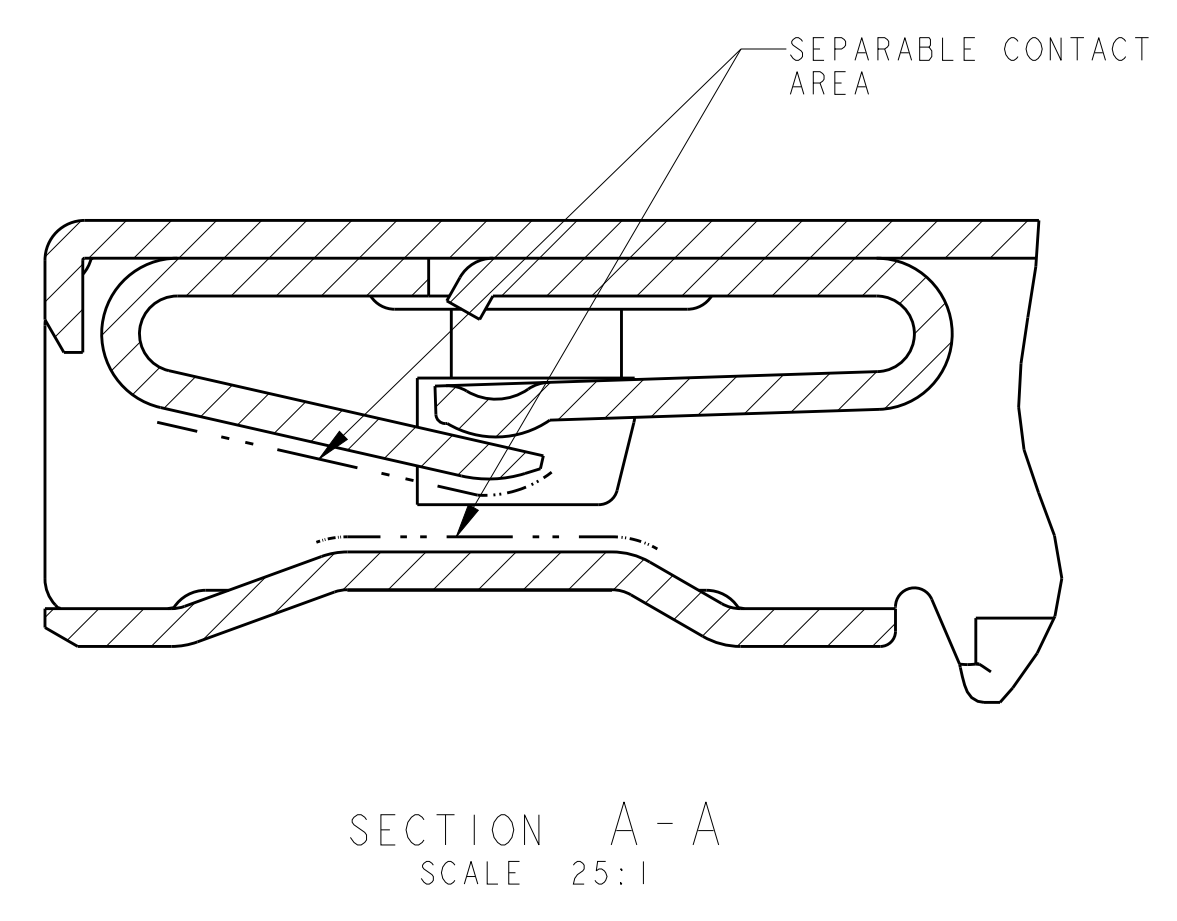
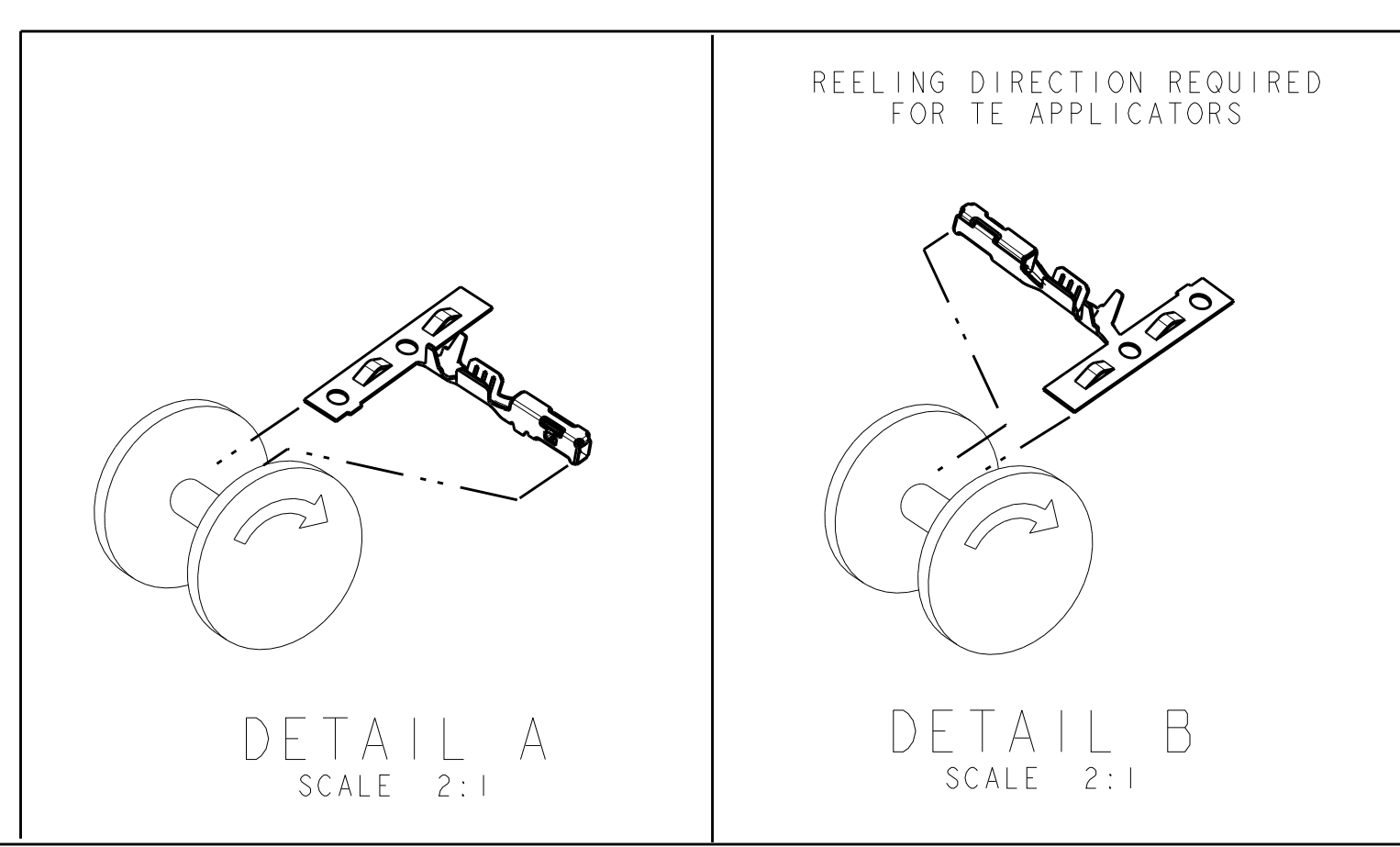
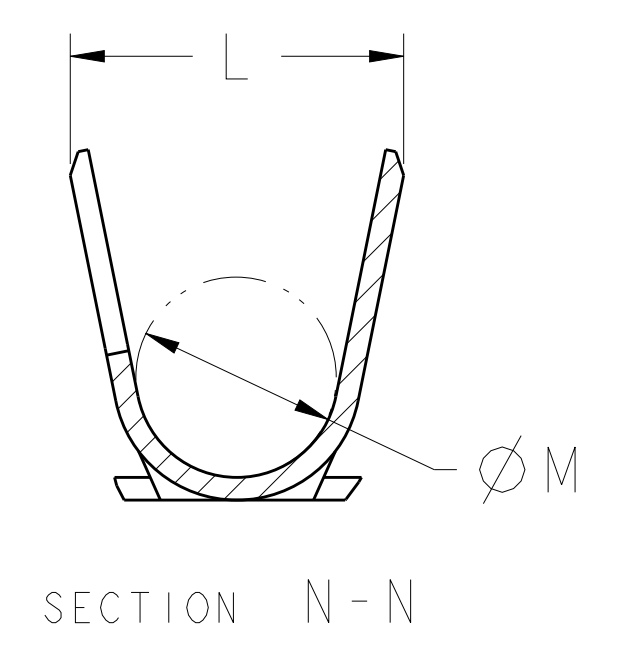
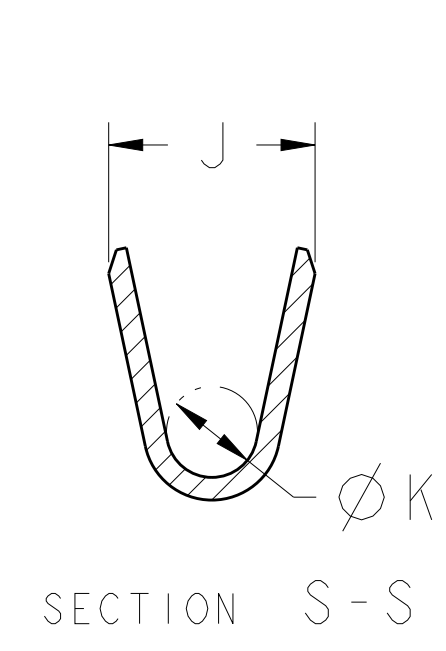
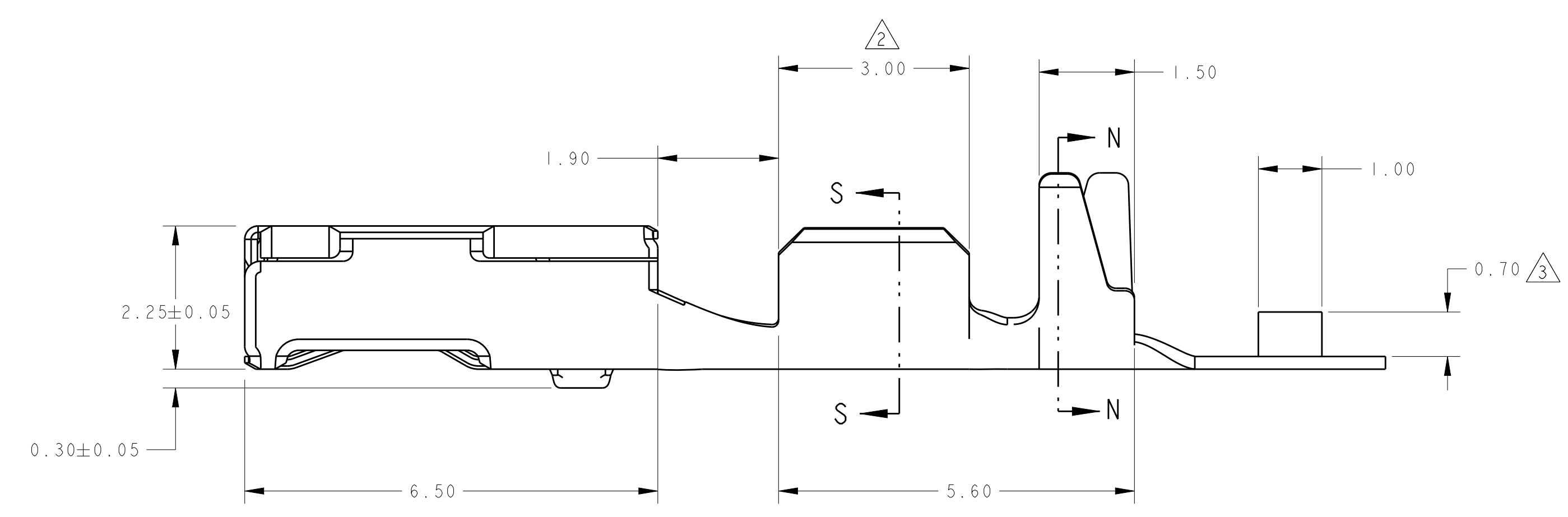
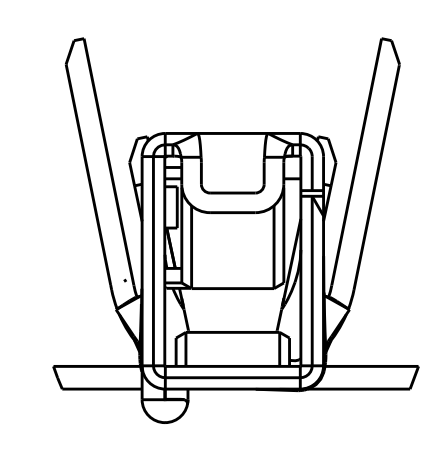


REVISIONS				
P.	LTN	DESCRIPTION	DATE	APVD
D		REVISED PER ECO-16-006930	17MAY2016	DLD CJS
E		REVISED PER ECO-16-016441	17NOV2016	DLD CJS
E1		REVISED PER ECO-17-000350	18JAN2017	DLD CJS
E2		REVISED PER ECO-19-013076	09SEP2019	JMS CS



- △ MATERIAL: COPPER ALLOY
- △ FINISH: PRE-PLATED WITH SELECT SILVER AND TIN ALL OVER NICKEL. SEPARABLE CONTACT INTERFACE AREA: 1.00-3.00µm SILVER. CRIMP AREA: 1.00µm MIN TIN.
- △ MATERIAL ID FEATURE IN "UP" POSITION.
- 4. NORMAL FORCE 240 GRAMS REFERENCE.
- 5. AVERAGE ENGAGEMENT FORCE TARGET 3.0N REF.
- △ TERMINAL HAS NYE LUBRICANTS NYETACT 568J-50-UV PERFORMANCE LUBE/GREASE APPLIED. THIS IS A WHITISH COLORED LUBE. AMOUNT AND VISIBILITY MAY VARY.
- 7. FOR SILVER PLATING: ELECTRICAL PERFORMANCE IS NOT AFFECTED BY GRAY OR BLACK TARNISH ON THE SILVER PLATING SURFACE. ACCEPTABLE SILVER SURFACE CAN INCLUDE GRAY OR BLACK TARNISH.
- △ NOT INTENDED FOR SEALED APPLICATIONS.
- △ SEALING CAPABILITY MUST BE EVALUATED ON AN APPLICATION BASIS.



△ 2 △ 6	DETAIL B	1.40	2.40	0.80	1.85	1.10-1.40	0.35	22	1456968-8	△ 9
△ 2 △ 6	DETAIL B	0.85	1.82	0.65	1.50	0.85-1.05	0.13	26	1456968-7	△ 8
△ 2 △ 6	DETAIL A	1.40	2.40	0.80	1.85	1.10-1.40	0.35	22	1456968-6	△ 9
△ 2 △ 6	DETAIL A	0.85	1.82	0.65	1.50	0.85-1.05	0.13	26	1456968-5	△ 8
△ 2 △ 6	DETAIL B	1.78	2.94	1.00	1.96	1.60-2.06	0.75	18	1456968-4	△ 9
△ 2 △ 6	DETAIL B	1.78	2.94	0.80	1.82	1.50-1.85	0.35-0.50	20-22	1456968-3	△ 9
△ 2 △ 6	DETAIL A	1.78	2.94	1.00	1.96	1.60-2.06	0.75	18	1456968-2	△ 9
△ 2 △ 6	DETAIL A	1.78	2.94	0.80	1.82	1.50-1.85	0.35-0.50	20-22	1456968-1	△ 9
FINISH	REELING	M	L	K	J	INSULATION DIA	mm <sup>2</sup>	AWG	PART NUMBER	
							WIRE SIZE			

THIS DRAWING IS A CONTROLLED DOCUMENT. DWN F. KINSEY 16APR2007  
 CHK C. SCHMID 16APR2007  
 APVD C. SCHMID 16APR2007

DIMENSIONS: mm  
 TOLERANCES UNLESS OTHERWISE SPECIFIED:  
 0 PLC ±  
 1 PLC ±0.15  
 2 PLC ±  
 3 PLC ±  
 4 PLC ±  
 ANGLES ±

MATERIAL: △  
 FINISH: △

PRODUCT SPEC: △  
 APPLICATION SPEC: △  
 114-13183  
 WEIGHT: 0.23g  
 CUSTOMER DRAWING

SCALE 15:1 SHEET 1 OF 1 REV E2

**STE** TE Connectivity  
 CONTACT, FEMALE, 0.64, SILVER PLATE GENERATION Y

SIZE: A100779 CAGE CODE: 1456968