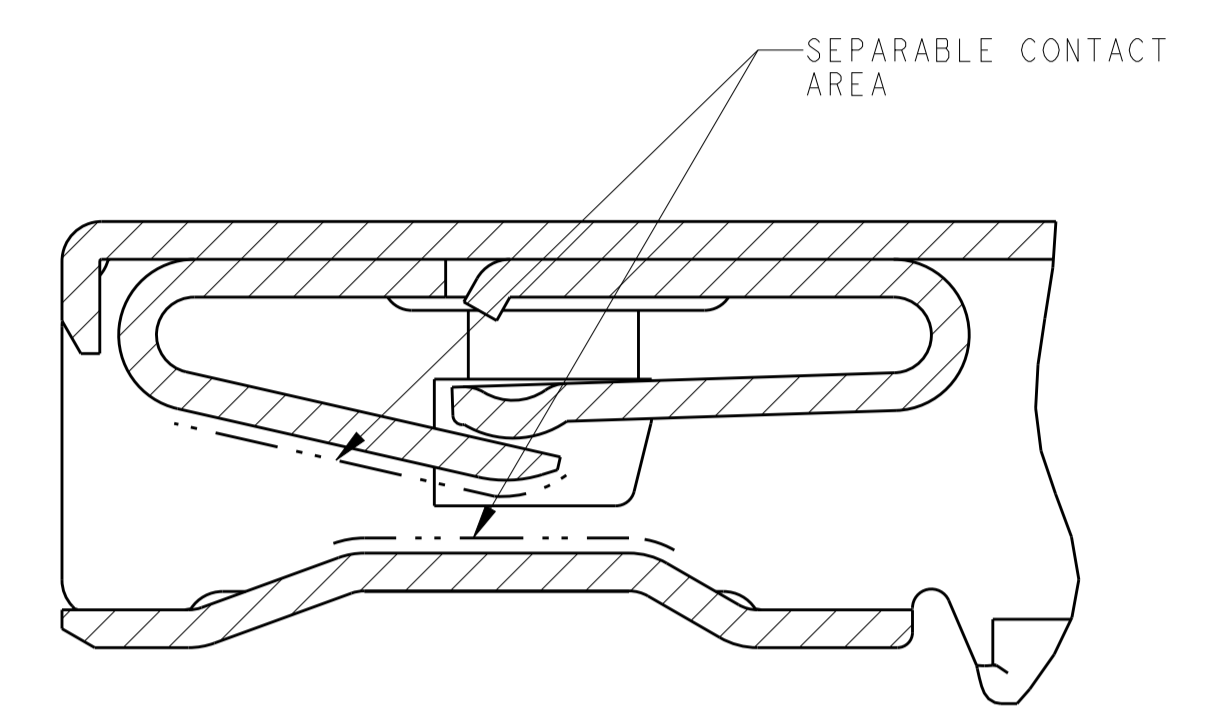
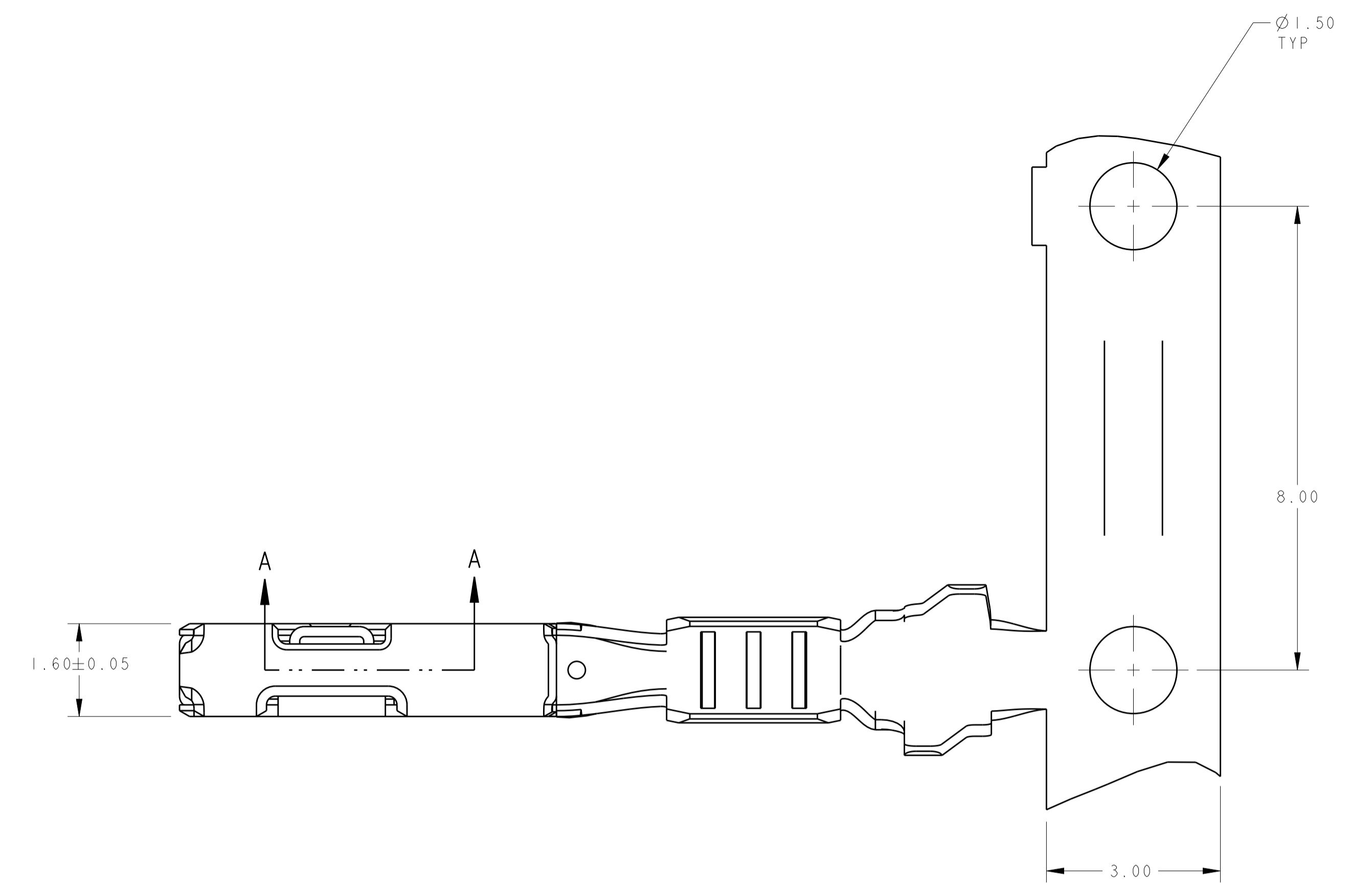
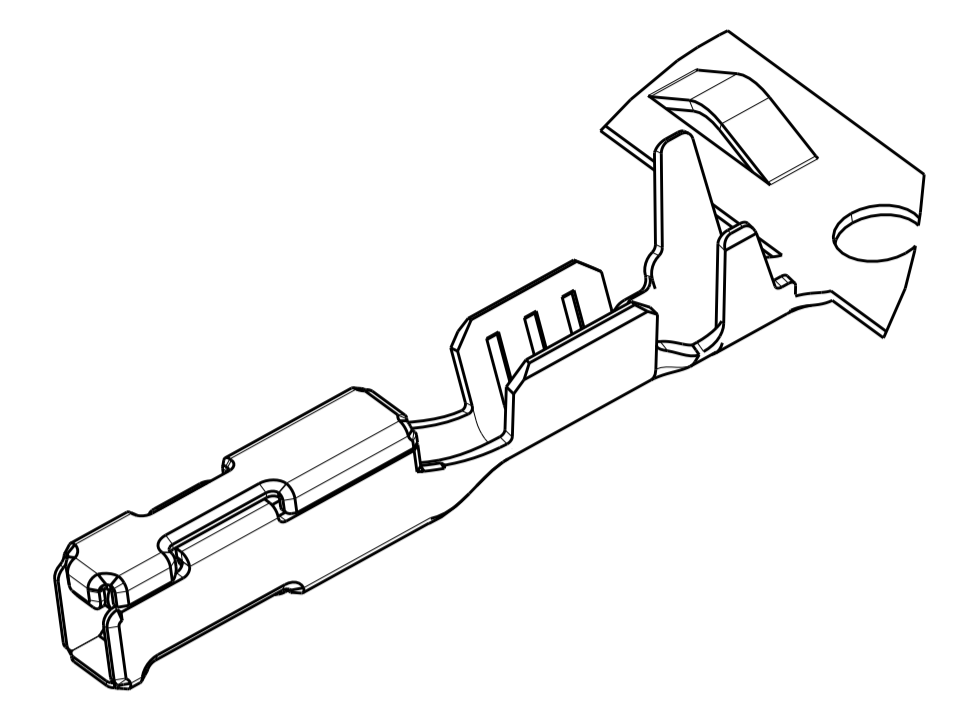
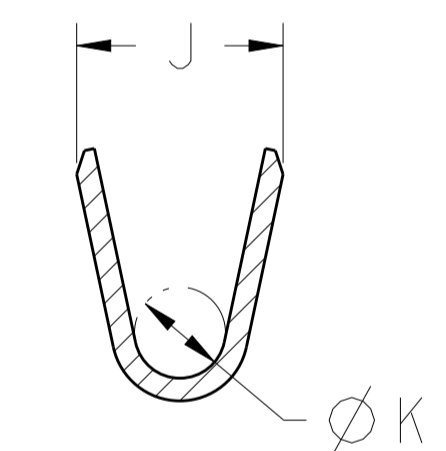
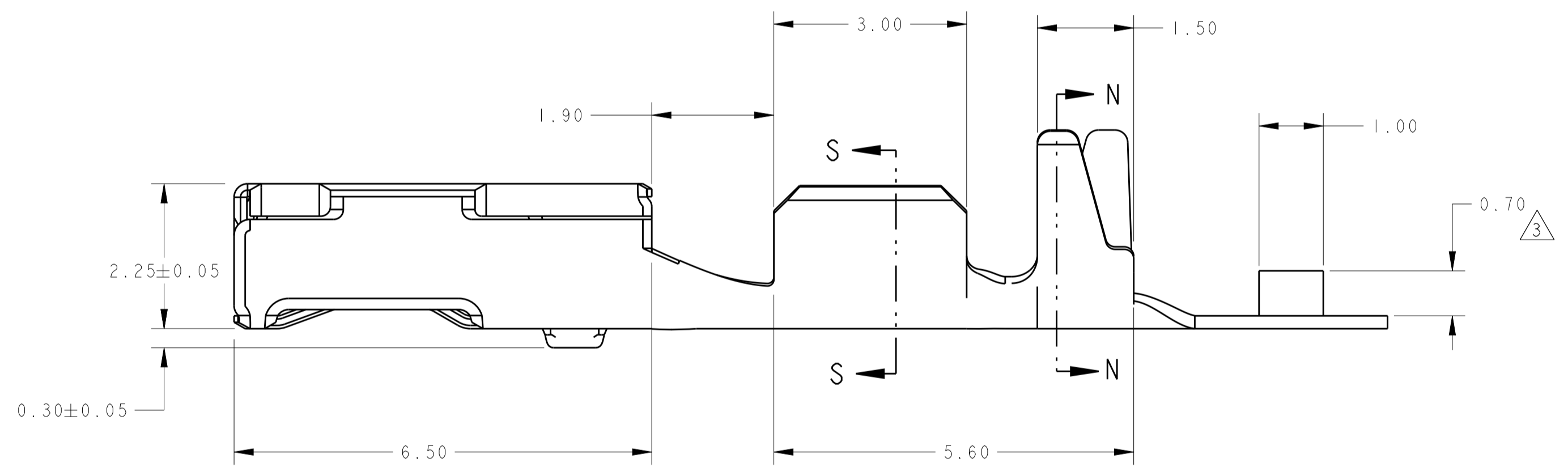
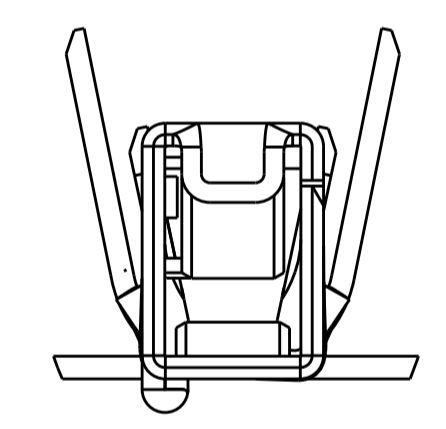


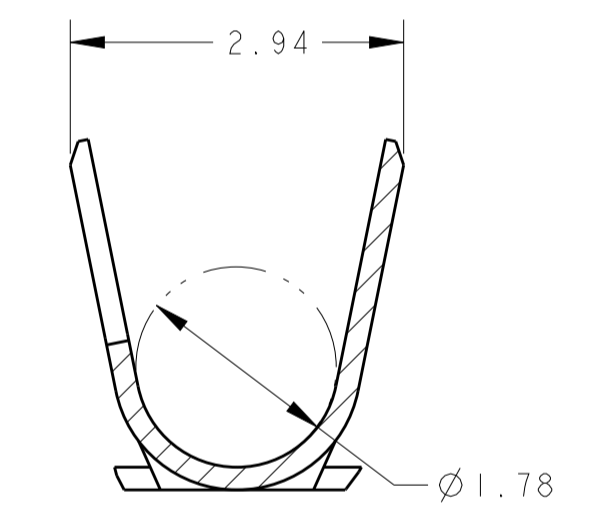
LOC		DIST		REVISIONS			
P	LTN	DESCRIPTION	DATE	DWN	APVD		
A1		REVISED PER ECO-11-023986	01DEC2011	DLD	CJS		
B		REVISED PER ECO-12-015840	07AUG2012	DLD	CJS		



SECTION A-A
SCALE 25:1

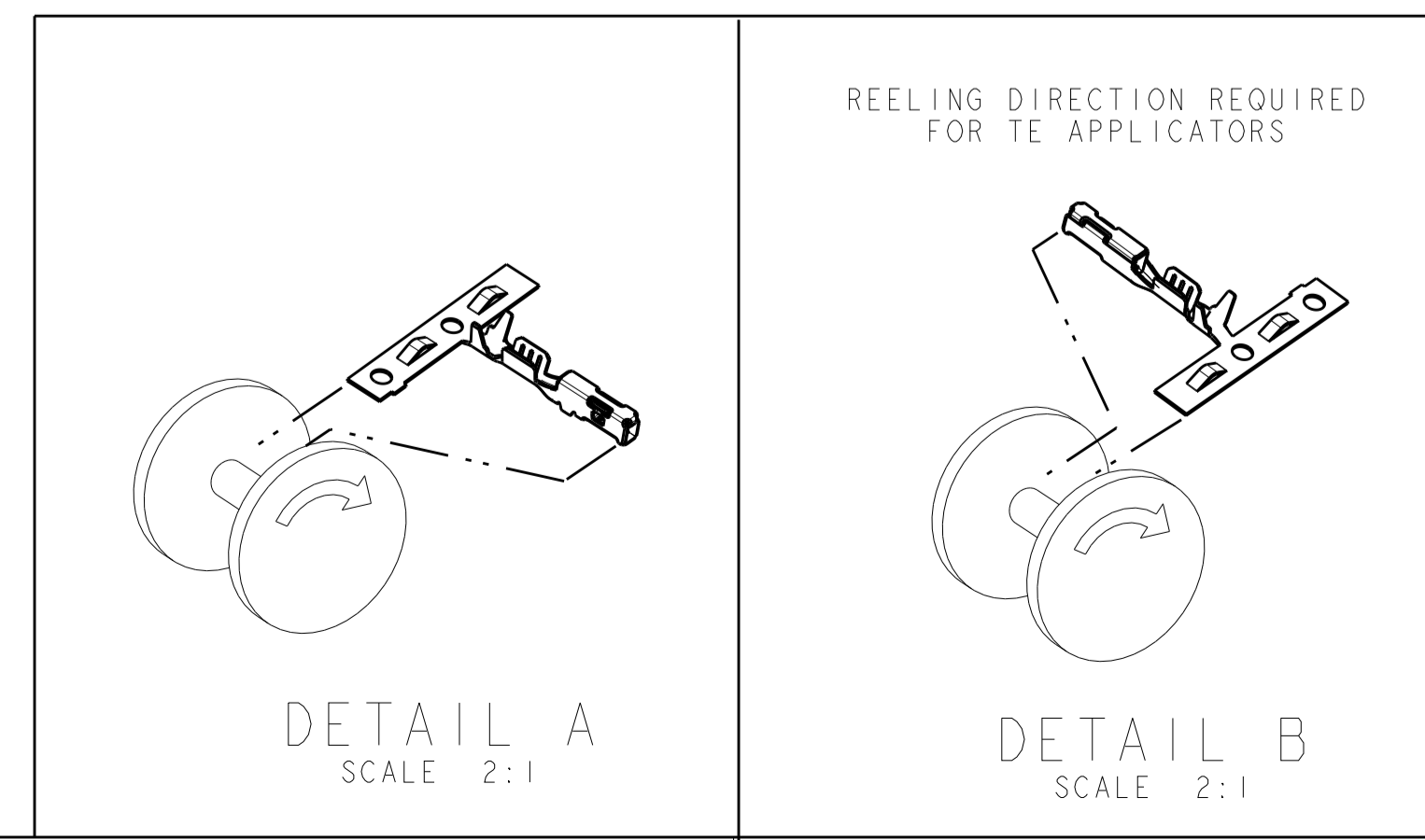


SECTION S-S



SECTION N-N

- 1 MATERIAL: COPPER ALLOY
- 2 FINISH: PRE-PLATED WITH SILVER FLASH OVERALL WITH 1.00 - 3.00µm SILVER IN SEPARABLE CONTACT AREA ALL OVER NICKEL.
- 3 MATERIAL ID FEATURE IN "UP" POSITION.
- 4. NORMAL FORCE 240 GRAMS REFERENCE.
- 5. AVERAGE ENGAGEMENT FORCE TARGET 3.0N REF.
- 6. TERMINAL HAS NYE LUBRICANTS NYETACT 561J-50-AG PERFORMANCE LUBE/GREASE APPLIED. THIS IS A WHITISH COLORED LUBE. AMOUNT AND VISIBILITY MAY VARY.
- 7. FOR SILVER PLATING: ELECTRICAL PERFORMANCE IS NOT AFFECTED BY GRAY OR BLACK TARNISH ON THE SILVER PLATING SURFACE. ACCEPTABLE SILVER SURFACE CAN INCLUDE GRAY OR BLACK TARNISH.



DETAIL B	1.00	1.96	1.60-2.06	0.75	18	1456968-4
DETAIL B	0.80	1.82	1.50-1.85	0.35-0.50	20-22	1456968-3
DETAIL A	1.00	1.96	1.60-2.06	0.75	18	1456968-2
DETAIL A	0.80	1.82	1.50-1.85	0.35-0.50	20-22	1456968-1
REELING	K	J	INSULATION DIA	mm ²	AWG	PART NUMBER
				WIRE SIZE		

THIS DRAWING IS A CONTROLLED DOCUMENT. DWN F. KINSEY 16APR2007

DIMENSIONS:	TOLERANCES UNLESS OTHERWISE SPECIFIED:	CHK -	APVD -	NAME
mm	0 PLC ± 1 PLC ±0.15 3 PLC ± 4 PLC ±	PRODUCT SPEC	APPLICATION SPEC	SIZE
MATERIAL	FINISH	114-13183	114-13183	CAGE CODE
Customer Drawing	Customer Drawing	WEIGHT 0.23 G	Customer Drawing	DRAWING NO

Customer Drawing

STE TE Connectivity

CONTACT, FEMALE, 0.64, SILVER PLATE GENERATION Y

RESTRICTED TO

SCALE 15:1 SHEET 1 OF 1 REV B