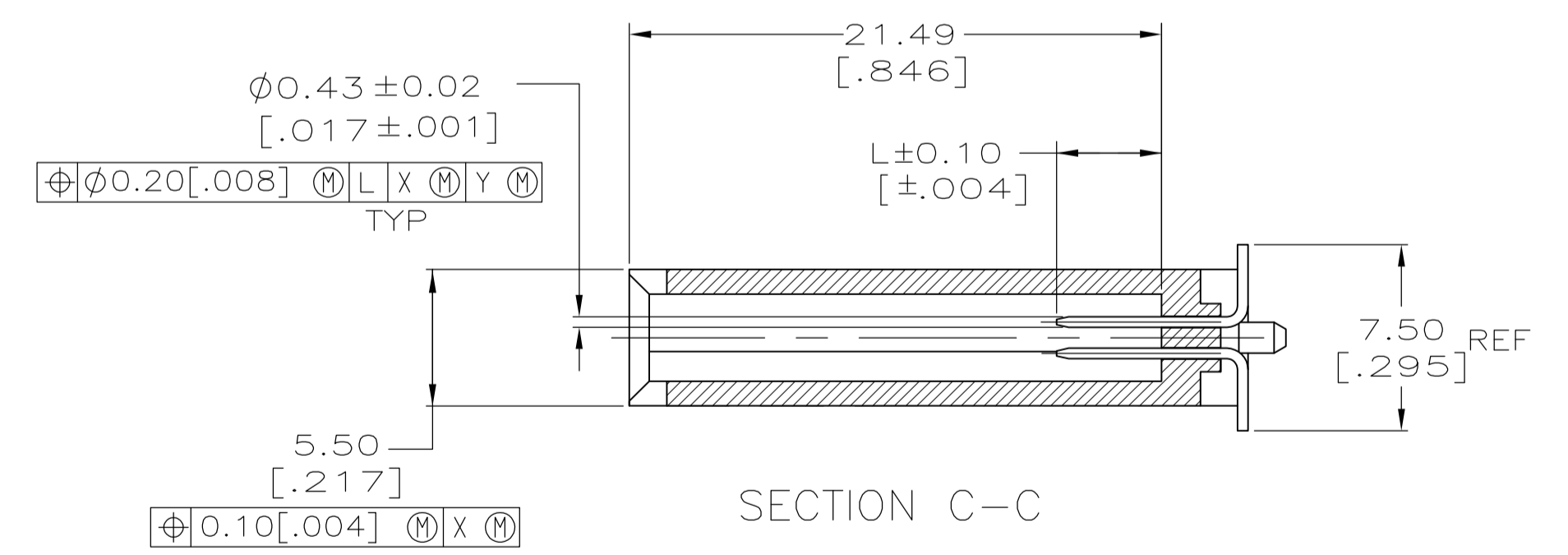
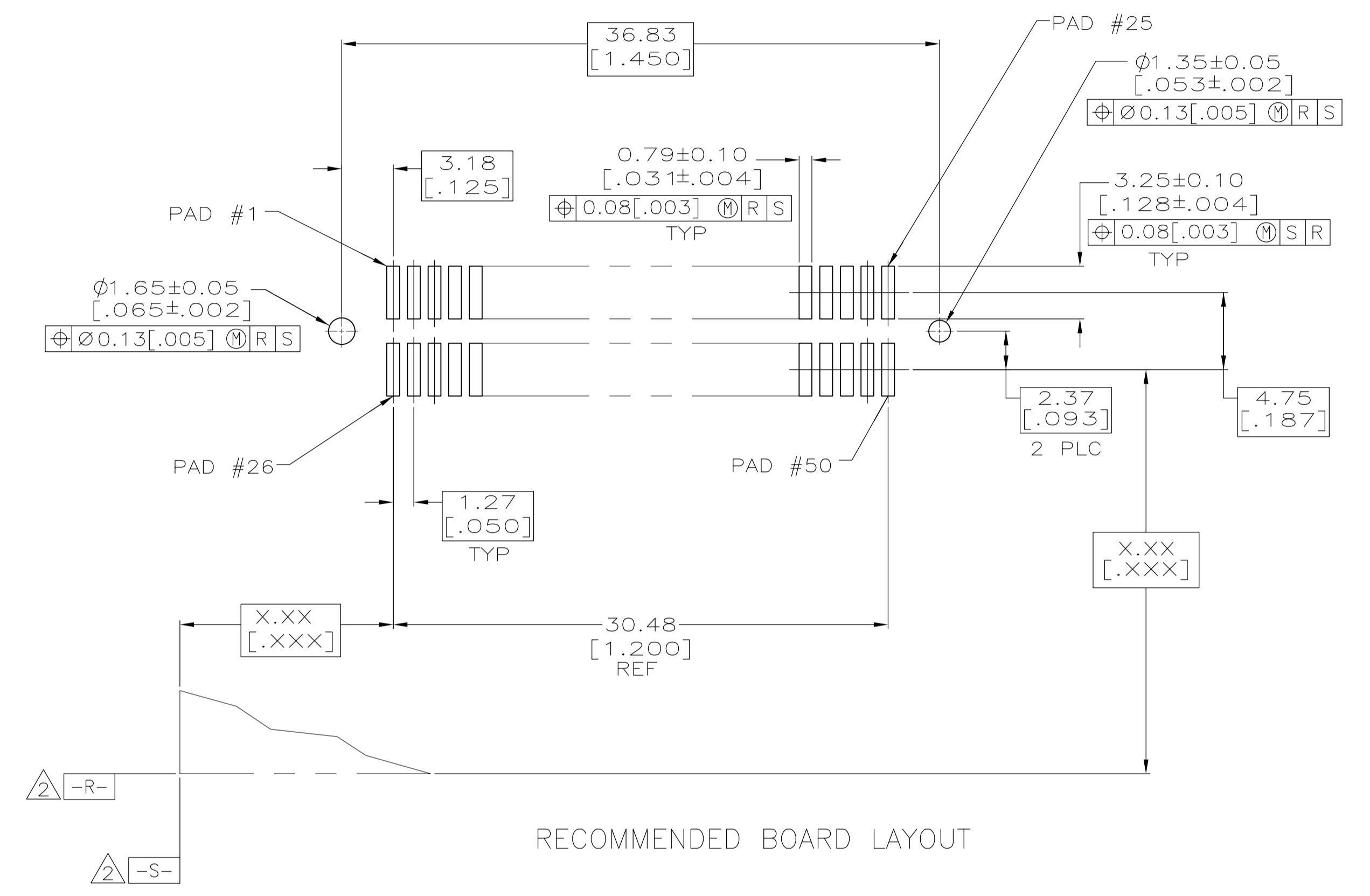


- ① 0.00038 [.000015] MINIMUM GOLD IN CONTACT AREA, 0.00381 [.000150] MIN TIN-LEAD ON SOLDER TAILS, ALL OVER 0.00127 [.000050] MINIMUM NICKEL
- ② DATUMS AND BASIC DIMENSIONS ESTABLISHED BY CUSTOMER
- ③ PARTS TO BE PACKAGED IN TRAYS.
- ④ 0.00038 [.000015] MINIMUM GOLD IN CONTACT AREA, 0.00381 [.000150] MIN 100% TIN ON SOLDER TAILS, ALL OVER 0.00127 [.000050] MINIMUM NICKEL



SUPERSEDE 146540-1 WITH 146540-2	④	ACTIVE	③	1,13,38,50	ALL OTHER PINS	25,26	146540-2
	①						146540-1
FINISH	PART STATUS	PACKAGING	"L" PIN LENGTH & CAVITY LOCATION				ASSEMBLY PART NUMBER
			5.00 [.197]	4.24 [.167]	3.51 [.138]		

THIS DRAWING IS A CONTROLLED DOCUMENT.		OWN	J. BURWELL	6-27-96	Tyco Electronics Corporation	
DIMENSIONS: INCHES		CHK	K. KREIDLER	18AUG03	Harrisburg, PA 17105-3608	
TOLERANCES UNLESS OTHERWISE SPECIFIED:		APVD			NAME	
0 PLC	± .005	PRODUCT SPEC		PIN HEADER ASSEMBLY, VERTICAL, 50 POSN, SURFACE MOUNT,		
1 PLC	± .002	APPLICATION SPEC		SIZE		
2 PLC	± 0.20 [.008]	WEIGHT		A1	00779	146540
3 PLC	± .001	CUSTOMER DRAWING		SCALE 4:1		
4 PLC	± .001	RESTRICTED TO		SHEET 1 OF 1		
ANGLES	± .2°			REV E		