

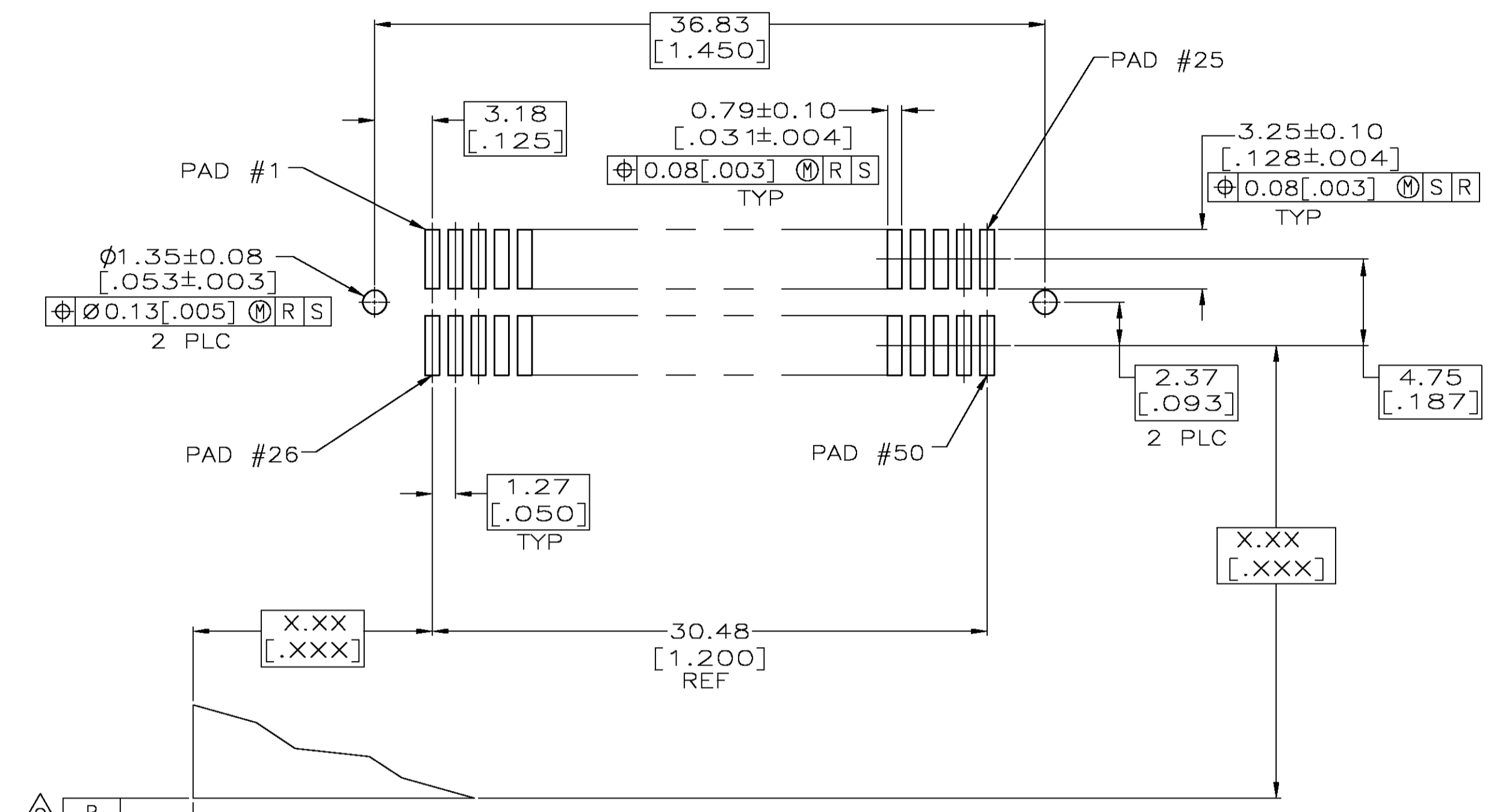
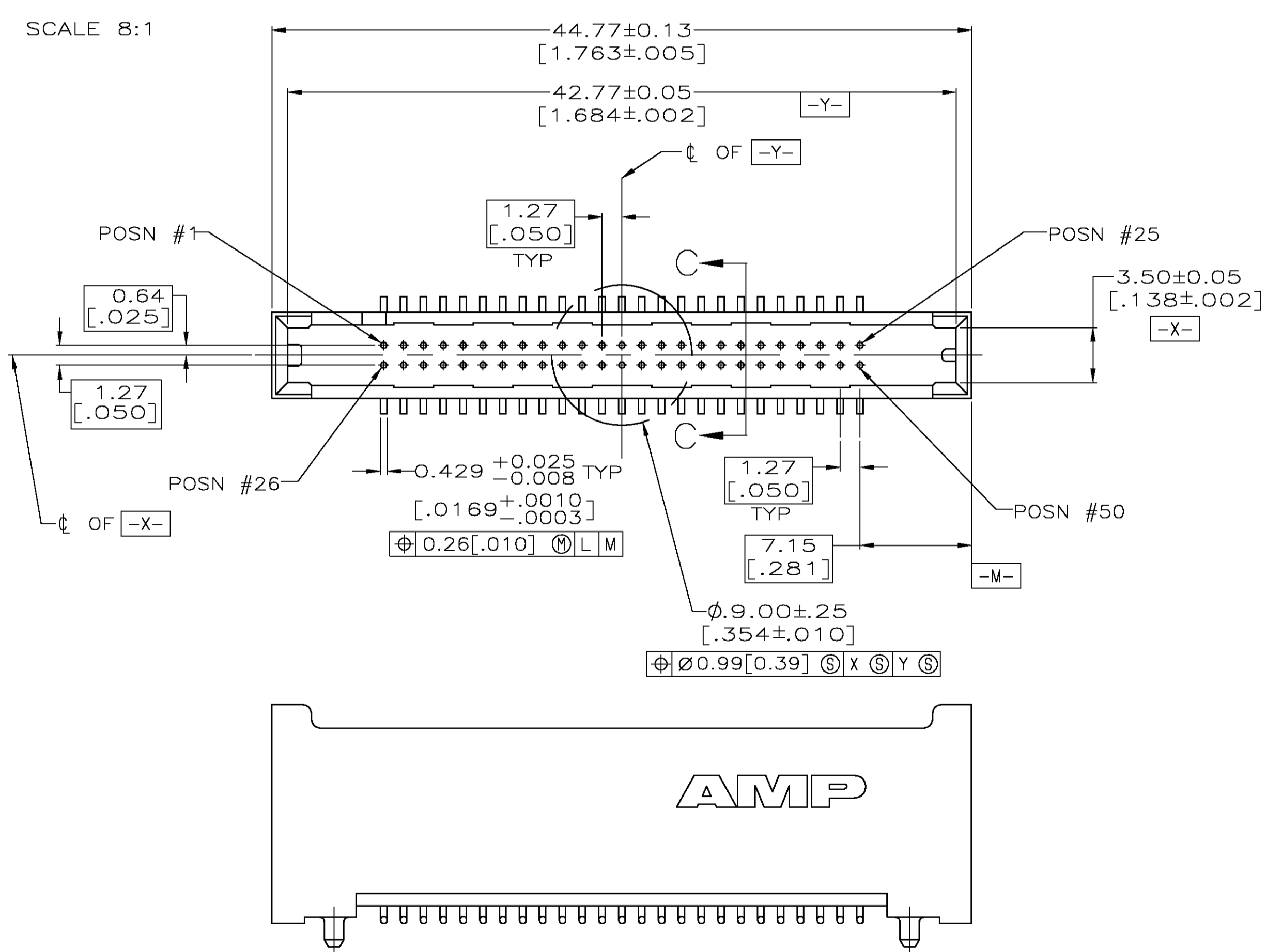
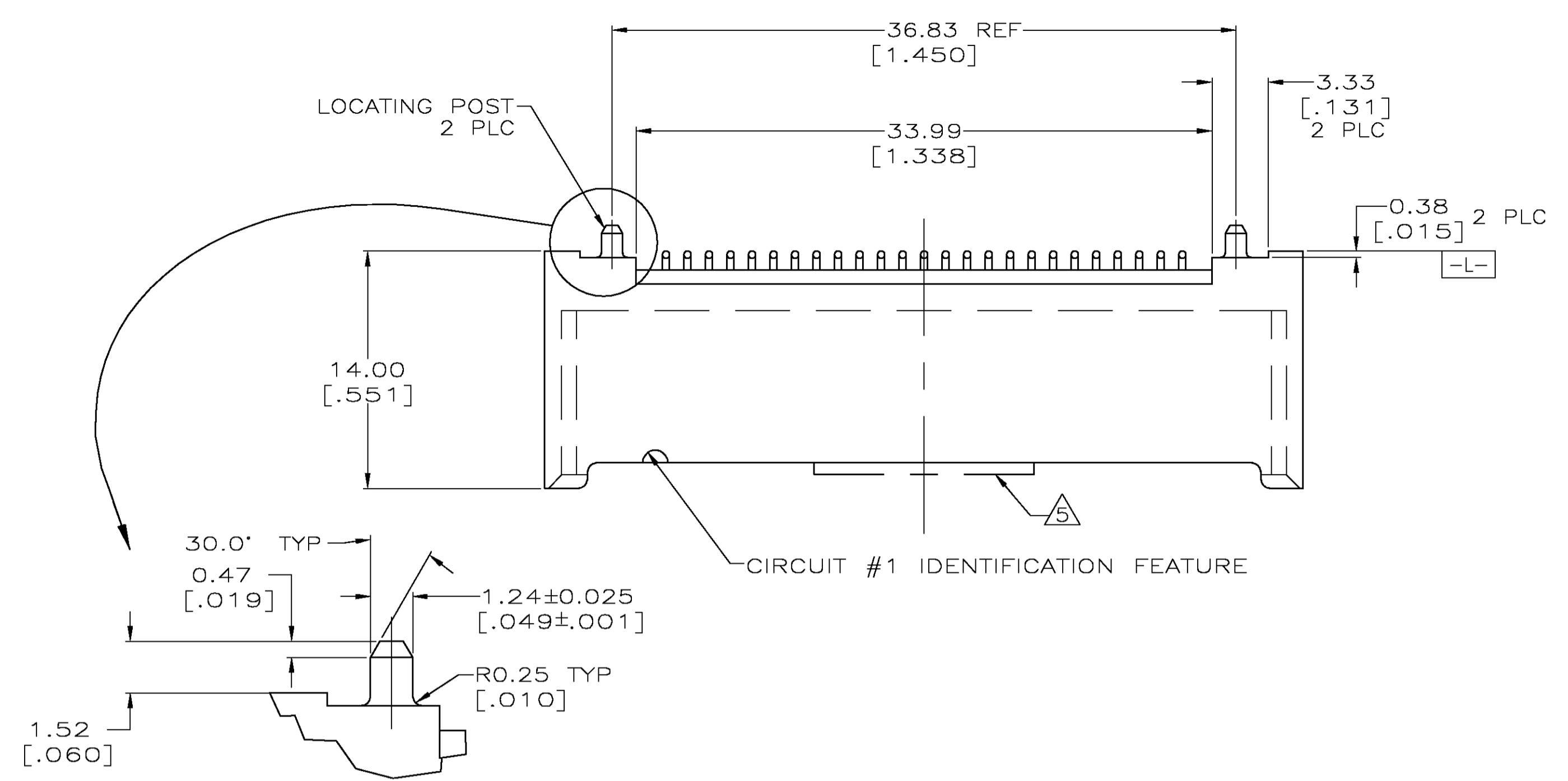
Distributed by:

JAMECO[®]
ELECTRONICS

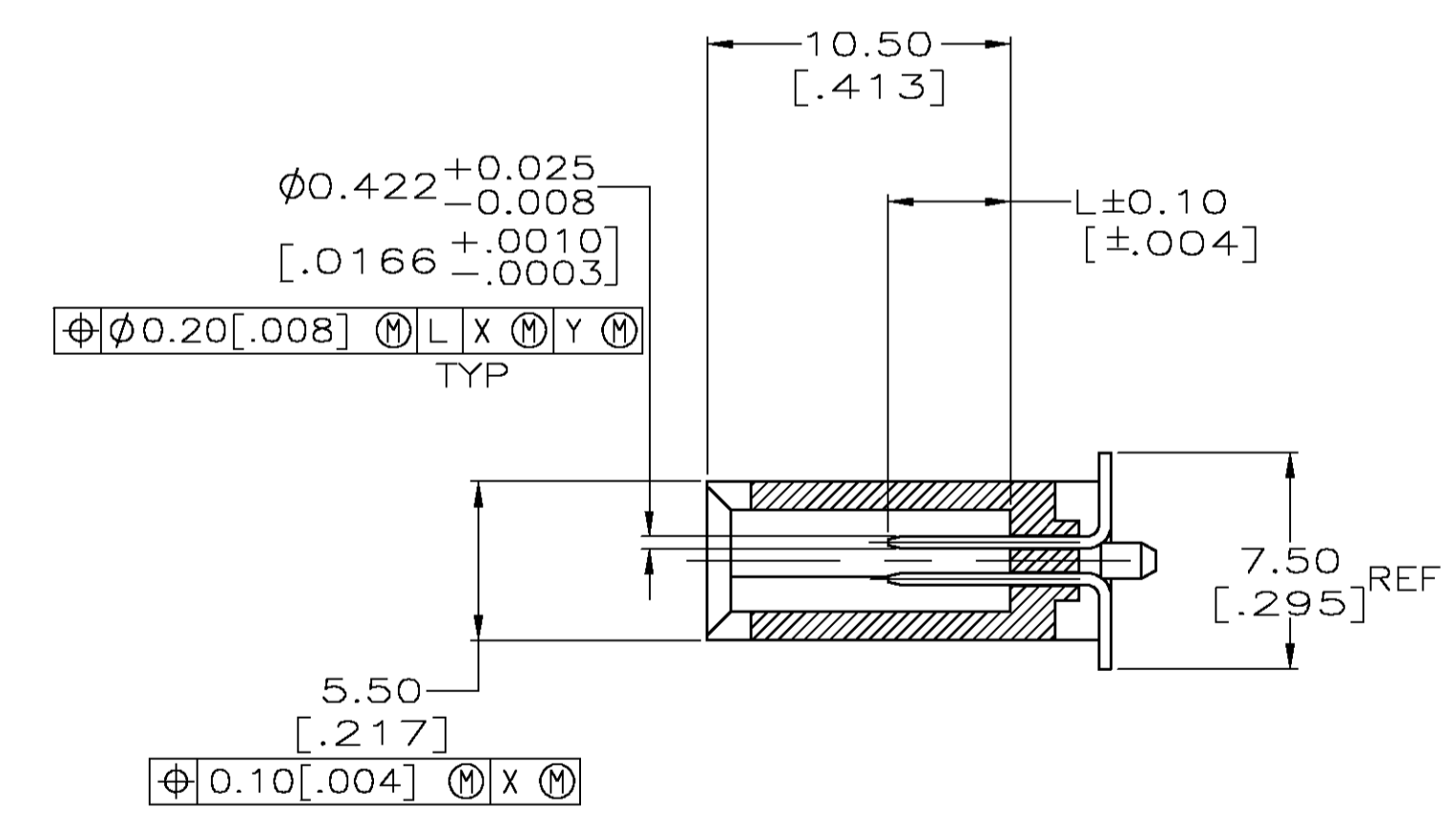
www.Jameco.com ♦ 1-800-831-4242

The content and copyrights of the attached
material are the property of its owner.

Jameco Part Number 1961946



RECOMMENDED BOARD LAYOUT



SECTION C-C

- 1 0.00076[.000030] MINIMUM GOLD IN CONTACT AREA, 0.00381[.000150] MIN TIN-LEAD ON SOLDER TAILS, ALL OVER 0.00127[.000050] MINIMUM NICKEL
- 2 DATUMS AND BASIC DIMENSIONS ESTABLISHED BY CUSTOMER
- 3 PARTS TO BE PACKAGED IN TUBES.
- 4 PARTS TO BE PACKAGED IN TAPE AND REEL.
- 5 KAPTON VACUUM PICK-UP BUTTON (SHOWN IN PHANTOM TO SHOW CONNECTOR DETAIL).
- 6 PART NOT AVAILABLE. FUTURE LEAD-FREE VERSION.

| | | | | | |
|----------------------------------|-------------|------------|----------------|-------|----------------------|
| 3 | | | | | 6 146839-3 |
| 4 | AS SHOWN | 1,13,38,50 | ALL OTHER PINS | 25,26 | 146839-2 |
| 3 | | | | | 146839-1 |
| PACKAGING | DESCRIPTION | .197 | .167 | .138 | ASSEMBLY PART NUMBER |
| "L" PIN LENGTH & CAVITY LOCATION | | | | | |

THIS DRAWING IS A CONTROLLED DOCUMENT. DIN J.ROOT 6-27-95
 CJK V.RUMINSKI 3/7/97
 Tyco Electronics Corporation
 Harriburg, Pa 17105-3608

| | | | | | | | |
|--------------------|--|-----------------|---------------------|------------------|-----------|------------|--------------------|
| DIMENSIONS: INCHES | TOLERANCES UNLESS OTHERWISE SPECIFIED: | PRODUCT SPEC | APPLICATION SPEC | SIZE | CAGE CODE | DRAWING NO | RESTRICTED TO |
| 0 PLC ± - | 1 PLC ± - | 2 PLC ± - | 3 PLC ± 0.13 [.005] | A1 | 00779 | 146839 | |
| 4 PLC ± - | ANGLES ± - | MATERIAL FINISH | WEIGHT | CUSTOMER DRAWING | | SCALE 4:1 | SHEET 1 OF 1 REV C |