

Distributed by:

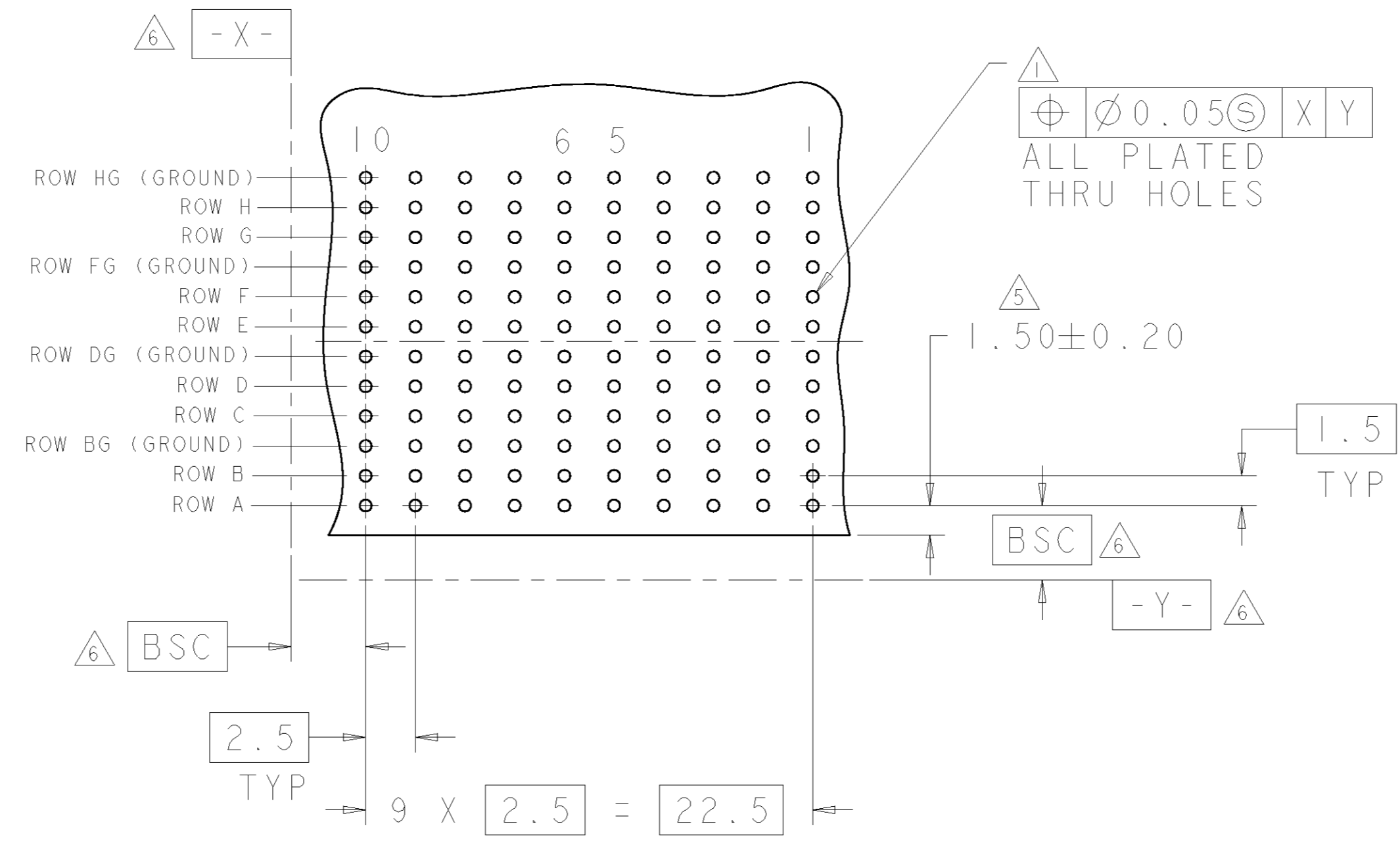
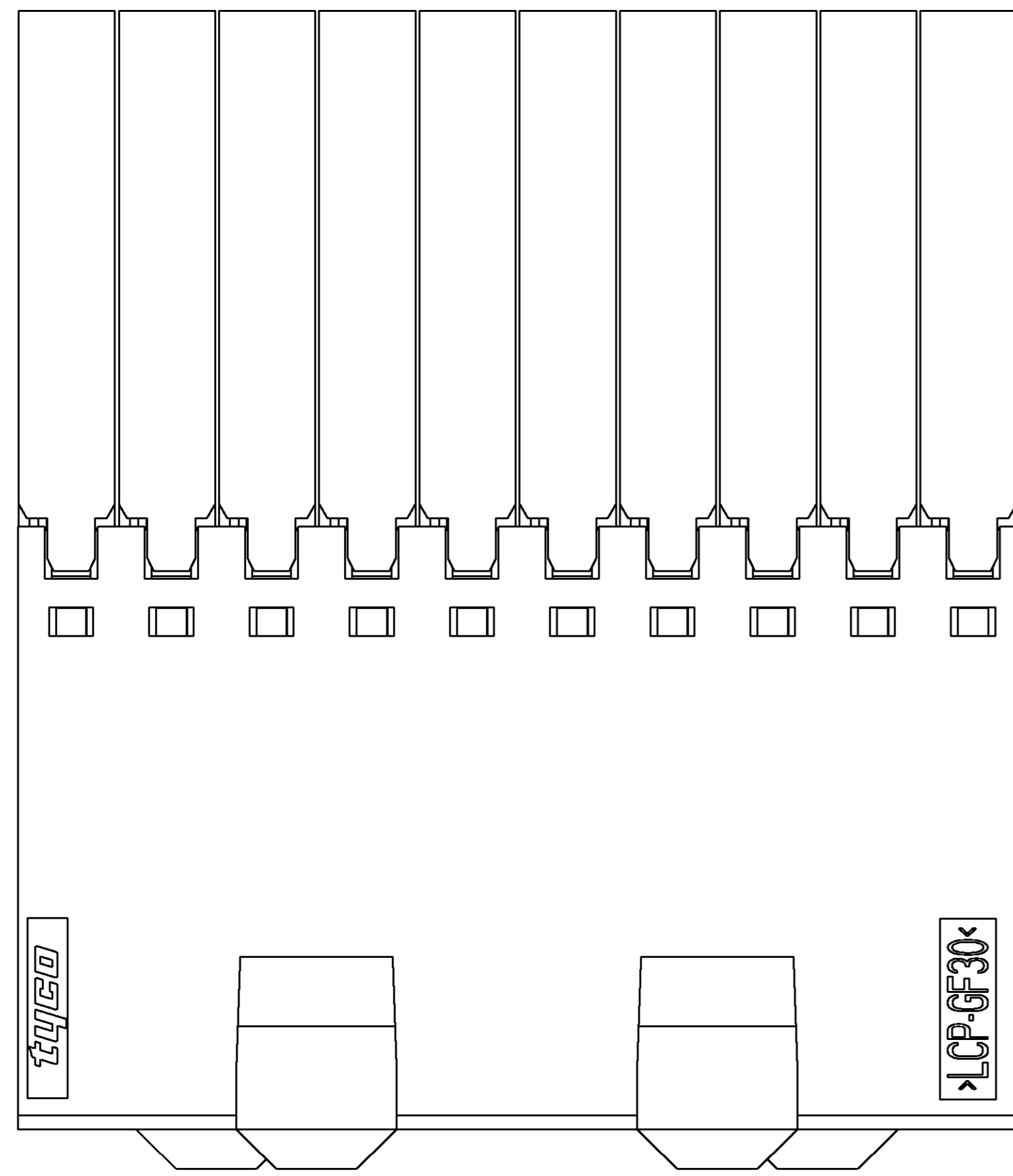
JAMECO[®]
ELECTRONICS

www.Jameco.com ♦ 1-800-831-4242

The content and copyrights of the attached
material are the property of its owner.

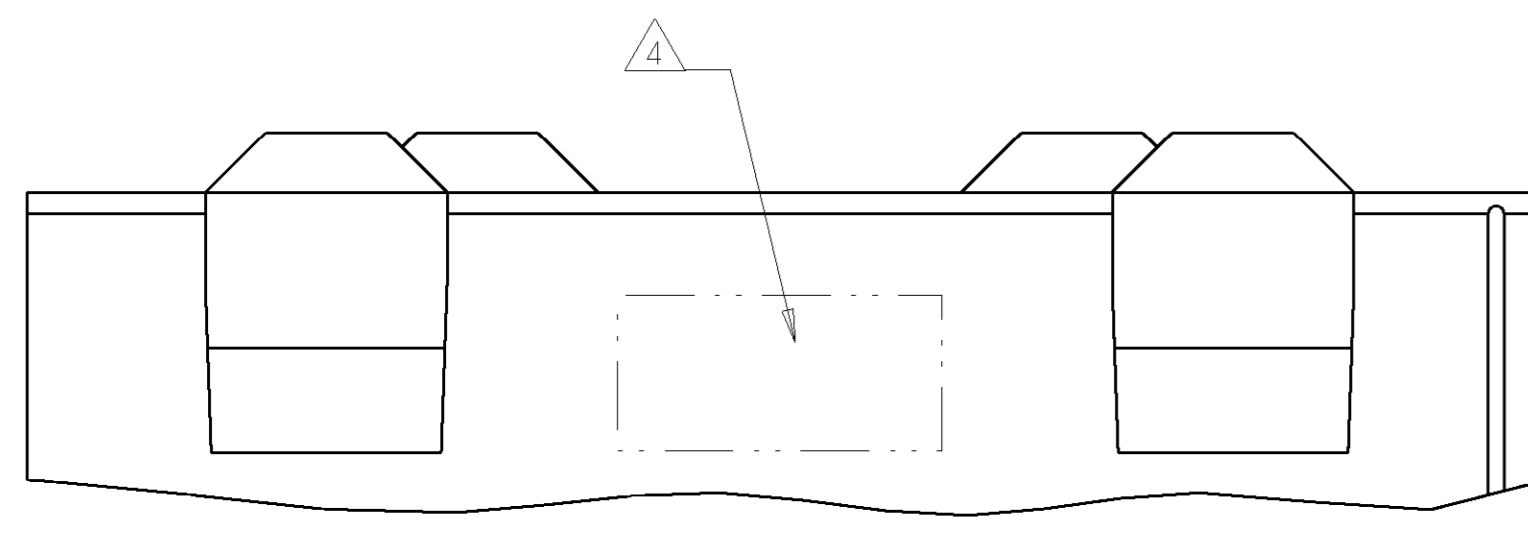
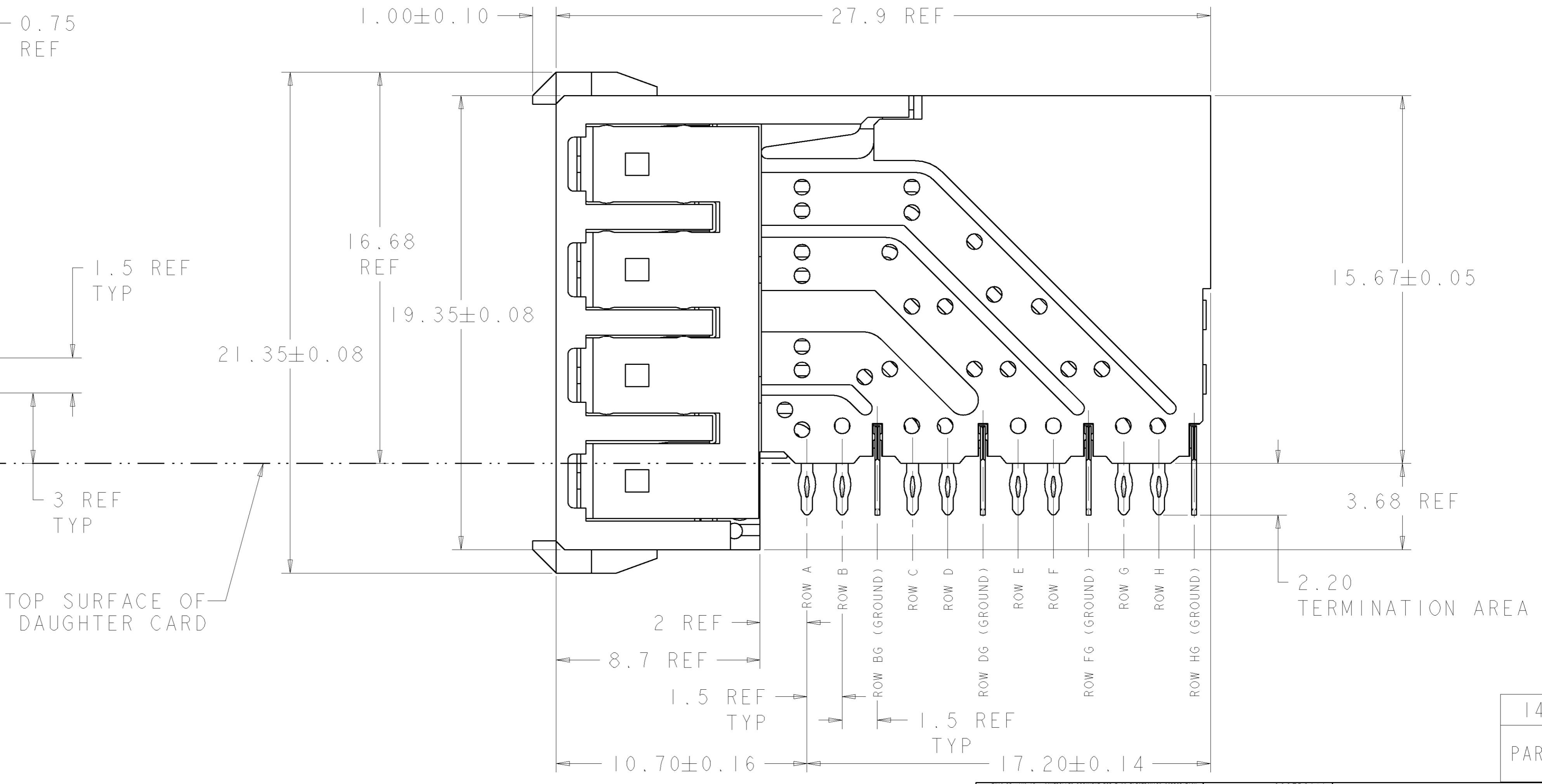
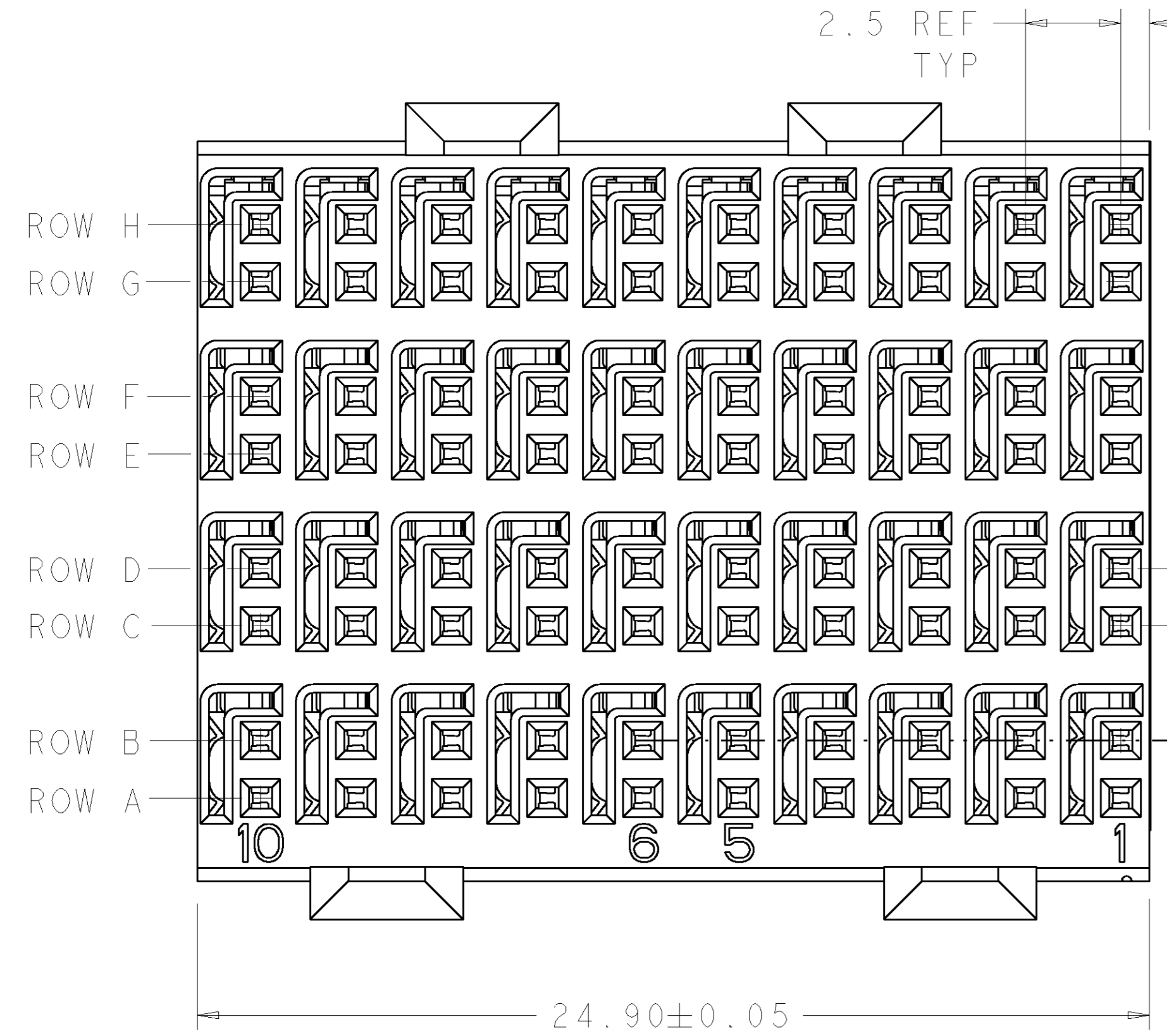
Jameco Part Number 741167

REVISONS		DATE	DWN	APVD
0	RELEASED PER 0512-0183-02	10JUL2002	DKS	NFS
A	REVISED PER 0512-0324-02	27AUG2002	SJM	NFS
B	REVISED PER 0512-0169-03	03JUN03	SJM	RAP
C	REV PER 0512-0442-03	02FEB2004	RG	BP



RECOMMENDED PC BOARD LAYOUT,
 DAUGHTER BOARD,
 COMPONENT SIDE SHOWN
 SCALE 4:1

- 1 PCB HOLE DIM:
 DRILLED HOLE = 0.700±0.025mm
 FINISHED HOLE = 0.600±0.050mm
 Cu THICKNESS = 0.0375±0.0125mm
 SnPb THICKNESS = 0.007±0.003mm
 - 2 MATERIAL:
 SHIELD - PHOSPHOR BRONZE
 CONTACT - COPPER-NICKEL-SILICON
 HOUSING, CHICKLET AND CHICKLET COVER -
 GLASS FILLED POLYESTER
 - 3 FINISH: CONTACT AND SHIELD
 MATING AREA - 0.76µm MIN GOLD OVER 1.27µm MIN NICKEL
 COMPLIANT PIN AREA - 0.5µm MIN BRIGHT TIN-LEAD OVER 1.27µm MIN NICKEL
 - 4 CONNECTOR MARKED WITH PART NUMBER AND DATE CODE IN APPROXIMATE AREA SHOWN
 - 5 DIMENSION APPLIES TO CENTERLINE OF THRU HOLE.
 - 6 DATUMS AND BASIC DIMENSIONS ESTABLISHED BY CUSTOMER.
7. CONTACT AREA LUBRICATED WITH BELLCORE APPROVED LUBRICANT. TECHNICAL REFERENCE: GR-1217-CORE, ISSUE 1, NOVEMBER 1995.



1469001-1
 PART NUMBER

DIMENSIONS:		TOLERANCES UNLESS OTHERWISE SPECIFIED:		DWN S. KLINE/LAM 28SEP2000		tyco Tyco Electronics	
mm	9 PLC ±	1 PLC ±	2 PLC ±	3 PLC ±	4 PLC ±	5 PLC ±	Tyco Electronics Harrisburg, PA 17105-3608
	ANGLES						NAME
							RECEPTACLE ASSEMBLY, 4 PAIR, HMZd
MATERIAL	FINISH	WEIGHT	SIZE	CAGE CODE	DRAWING NO	RESTRICTED TO	
			A1	00779	1469001		
CUSTOMER DRAWING		SCALE 8:1		SHEET 1 OF 1		REV C	