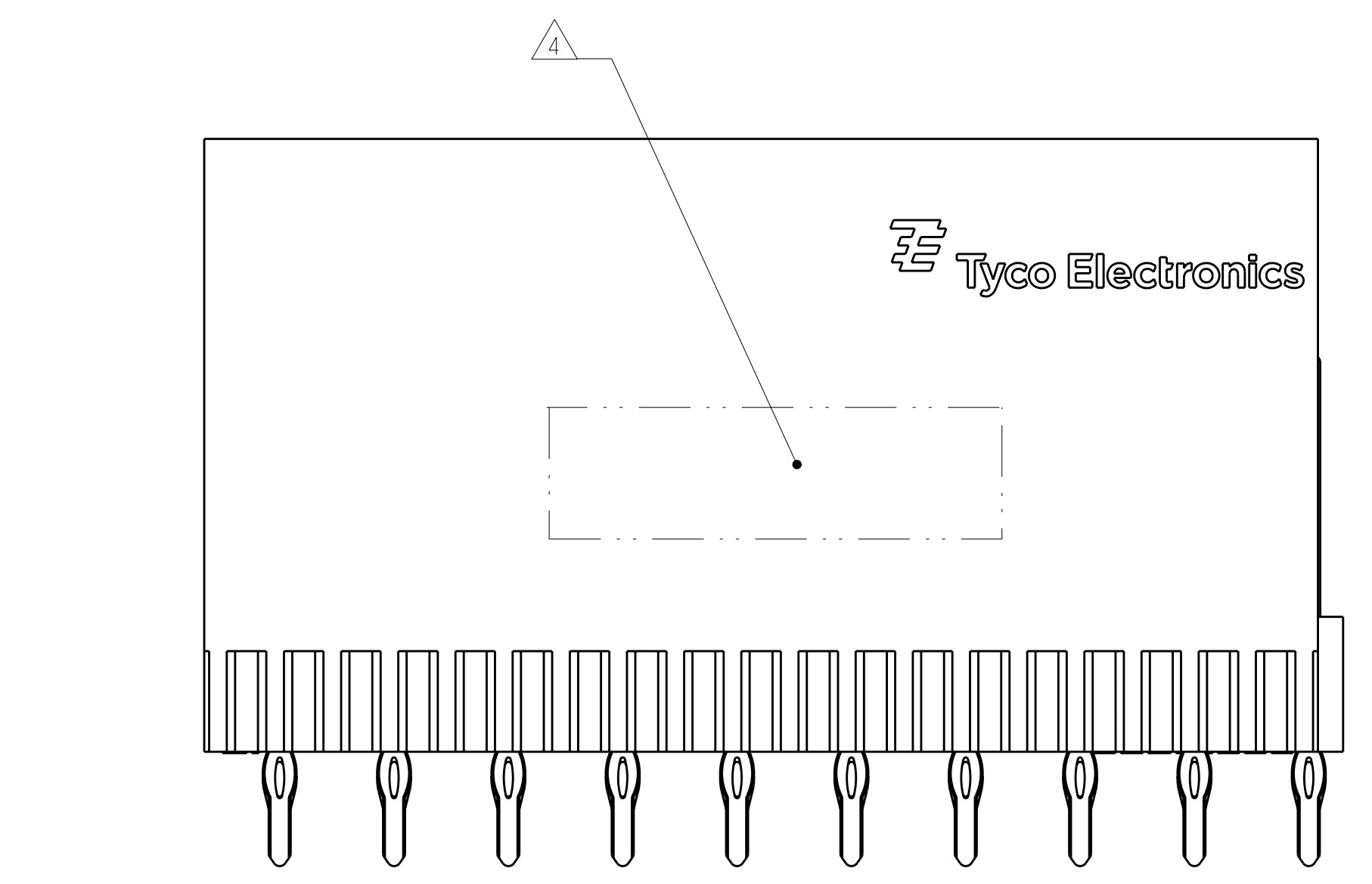
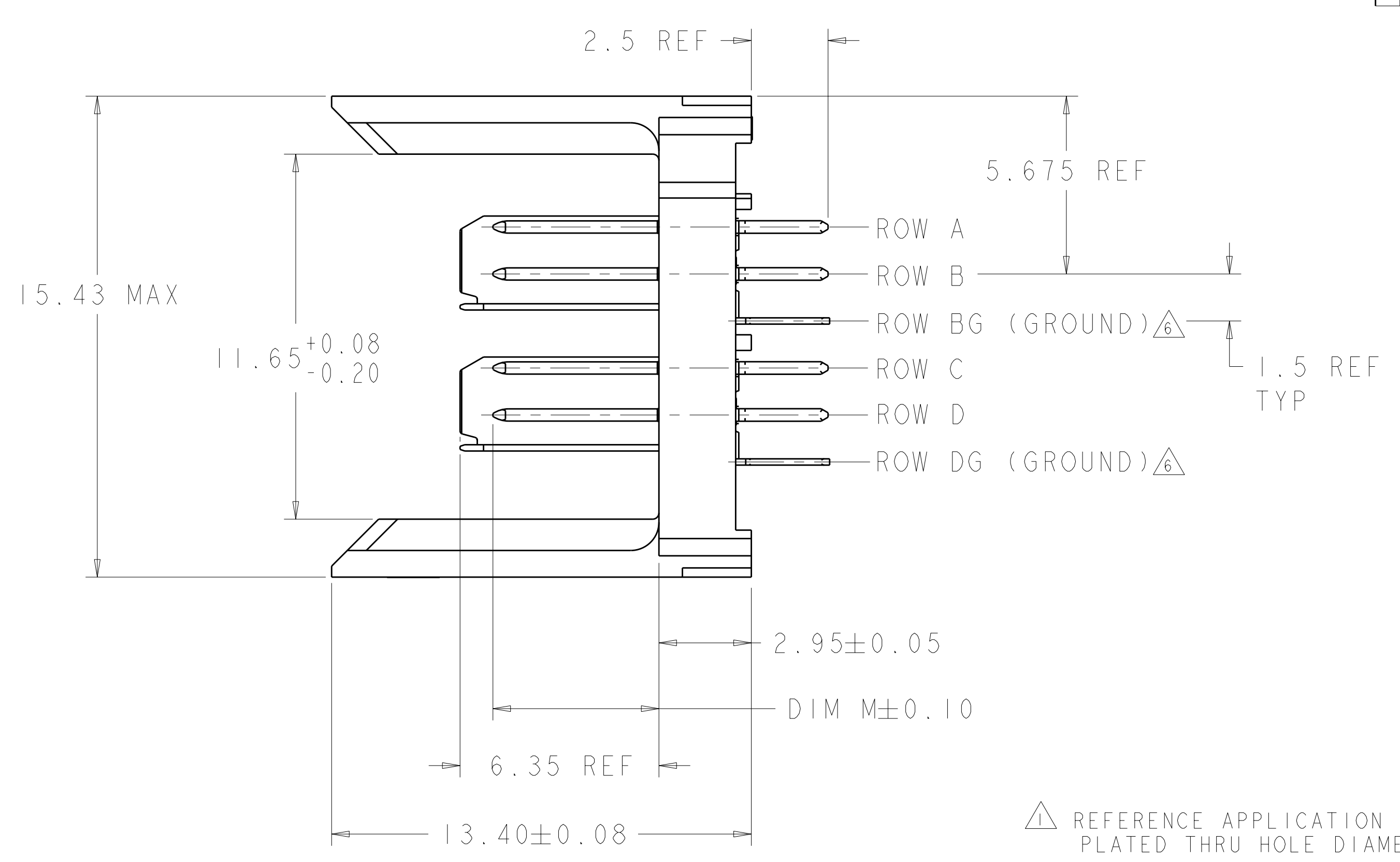
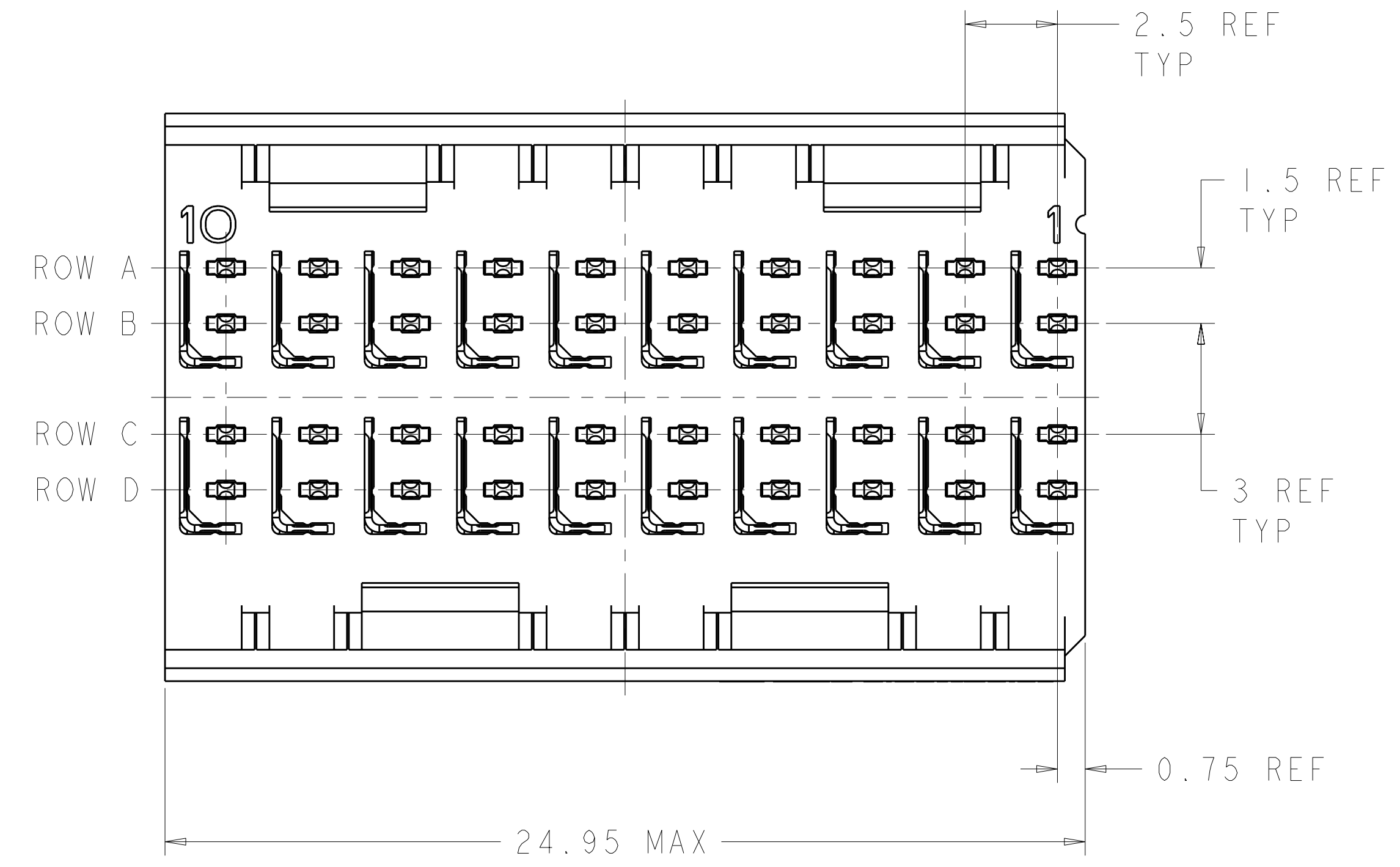
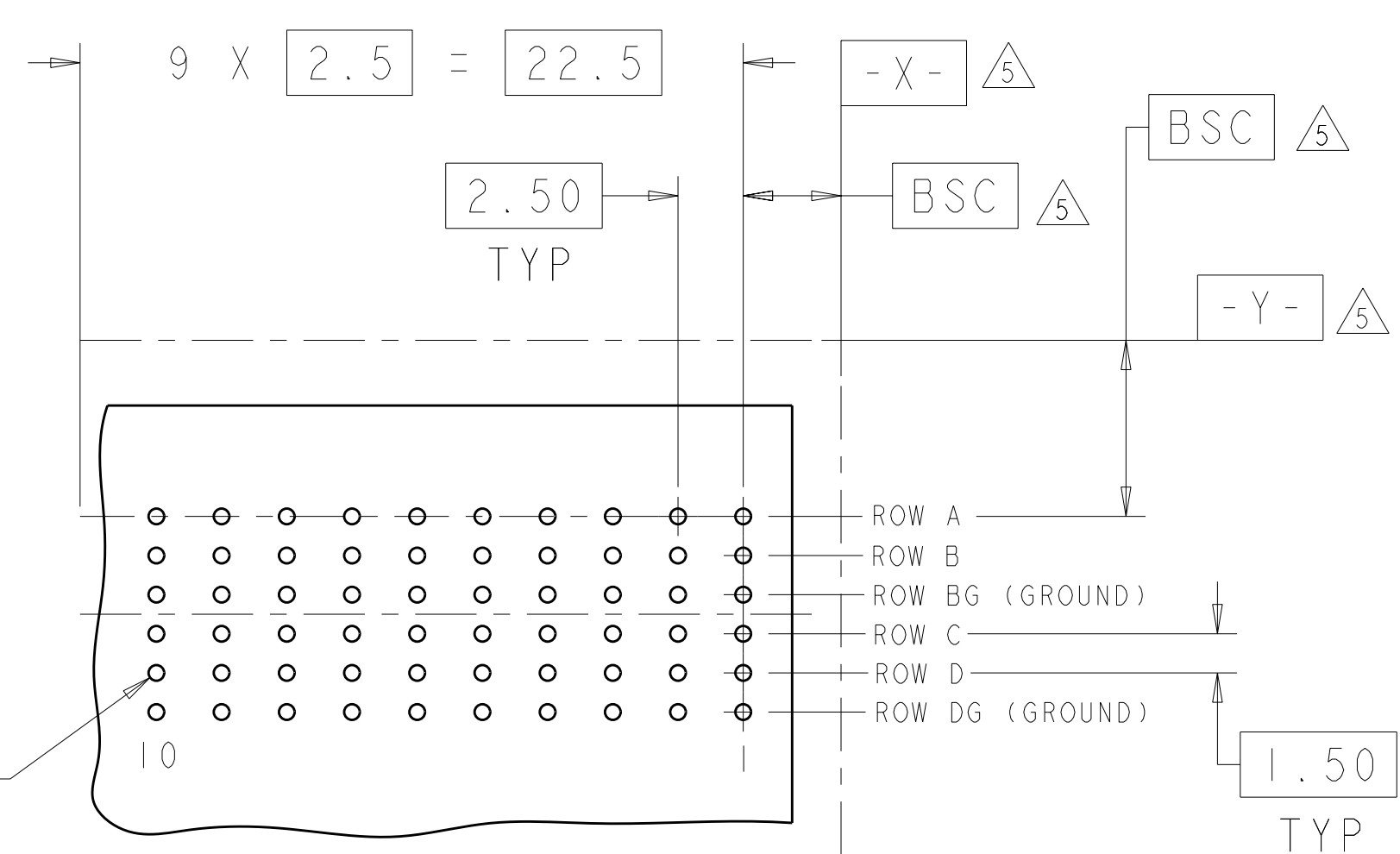


LOC	DIST	REV	DATE	BY	APPD
AD	00	D	14JAN12	KH	DY
REVISIONS			DESCRIPTION	DATE	DWN
			REVISED PER ECO-12-000118	14JAN12	KH



**Tyco Electronics**



⊕ ⌀0.05 Ⓢ X Y  
 ALL PLATED THRU HOLES

RECOMMENDED PC BOARD LAYOUT, BACKPLANE, COMPONENT SIDE SHOWN  
 SCALE 4:1

- △ REFERENCE APPLICATION SPEC 114-13059 FOR RECOMMENDED PLATED THRU HOLE DIAMETER AND PLATING THICKNESSES.
  - △ MATERIAL:  
 CONTACT AND SHIELD - PHOSPHOR BRONZE  
 HOUSING - GLASS FILLED POLYESTER. UL 94V-0.
  - △ FINISH: SIGNAL AND GROUND CONTACTS:  
 MATING AREA: MEETS THE PERFORMANCE REQUIREMENTS OF PRODUCT SPECIFICATION 108-2055; BASED ON TELCORDIA GR-1217-CORE, APPLICATIONS IN UNCONTROLLED ENVIRONMENTS  
 COMPLIANT PIN AREA: 0.5µm MIN BRIGHT TIN-LEAD OVER BASE PLATING
  - △ CONNECTOR MARKED WITH PART NUMBER AND DATE CODE.
  - △ DATUMS AND BASIC DIMENSIONS ESTABLISHED BY CUSTOMER.
  - △ THE TWO GROUNDS IN EACH COLUMN ARE COMMONED.
7. CONTACT AREA LUBRICATED WITH BELLCORE APPROVED LUBRICANT. TECHNICAL REFERENCE: GR-1217-CORE, ISSUE 1, NOVEMBER 1995.

3.80	1469025-2
5.30	1469025-1
DIM M	PART NUMBER

THIS DRAWING IS A CONTROLLED DOCUMENT.		DWN R. S. KLINE 11OCT2000	<b>STE</b> TE Connectivity
DIMENSIONS: mm		CHK R. PATTERSON 16AUG2007	
TOLERANCES UNLESS OTHERWISE SPECIFIED:		APVD N. SCHROLL 13SEP01	NAME: HEADER ASSEMBLY, 2 PAIR, 2.5mm TAIL, 25mm, HMZd
9 PLC ±	±	PRODUCT SPEC	SIZE CAGE CODE DRAWING NO
3 PLC ±	±	APPLICATION SPEC	RESTRICTED TO
5 PLC ±	±	WEIGHT	A100779C=1469025
4 PLC ±	±	CUSTOMER DRAWING	SCALE 8:1 SHEET 1 OF 1 REV D
ANGLES ±	±		
FINISH ±	±		