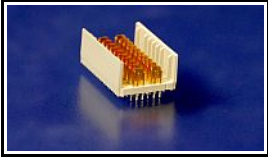


1469025-1 Product Details

[Share](#) [Print](#) [Email](#)



1469025-1

TE Internal Number: 1469025-1

 Active

[View 3D PDF](#)

Z-PACK HM-Zd Connectors and Cable Assemblies

Not EU RoHS or ELV Compliant (Find RoHS Compliant Alternates)

Product Highlights:

- Connector
- Header
- 20.3 mm Card Slot Pitch
- PCB Mounting Orientation = Vertical
- Contact Type = Pin

[View all Features](#)

Quick Links

- ▶ [Pricing & Availability](#)
- ▶ [Search for Tooling](#)
- ▶ [View Mating Products \(2\)](#)
- ▶ [Product Feature Selector](#)
- ▶ [Contact Us About This Product](#)

[Add to My Part List](#)

[Request Sample](#)

[Find Similar Products](#)

[Buy Product](#)

Documentation & Additional Information

Product Drawings:

- [HEADER ASSEMBLY, 2 PAIR, 2.5mm TAIL, 25mm, HMZd](#) (PDF, English)

Catalog Pages/Data Sheets:

- None Available

Product Specifications:

- [Two, Three and Four Pair HM-Zd Connectors](#) (PDF, English)

Application Specifications:

- [Z-PACK Hard Metric \(HM\)-Zd and HM-Zd Plus 2-, 3-, an...](#) (PDF, English)

Instruction Sheets:

- None Available

CAD Files: ([CAD Format & Compression Information](#))

- [2D Drawing](#) (DXF, Version D)
- [3D Model](#) (IGES, Version D)
- [3D Model](#) (STEP, Version D)

[List all Documents](#)

Additional Information:

- [Product Line Information](#)

Related Products:

- [Tooling](#)
- [Mating Products \(2\)](#)

Product Features (Please use the Product Drawing for all design activity)

Product Type Features:

- [Product Type](#) = Connector
- [Connector Type](#) = Header
- [PCB Mounting Orientation](#) = Vertical

Termination Features:

- [Contact Termination Type](#) = Through Hole
- [Interface Type](#) = HM-Zd
- [Termination Method](#) = Press Fit
- [Termination End Plating](#) = Tin-Lead over Nickel

Dimensions:

- [Card Slot Pitch](#) (mm [in]) = 20.3 [0.8]
- [Module Length](#) (mm [in]) = 24.90 [0.980]

Body Features:

- [Columns per Connector](#) = 10

Housing Features:

- [Centerline](#) (mm [in]) = 2.50 [0.098]
- [Housing Material](#) = Polyester - GF

Configuration Features:

- [Number of Pairs per Column](#) = 2
- [Number of Pairs per Connector](#) = 20
- [Sequenced Pins](#) = No
- [Number of Positions](#) = 40

Industry Standards:

- [AdvancedTCA Specified Product](#) = No
- [RoHS/ELV Compliance](#) = Not ELV/RoHS compliant
- [Lead Free Solder Processes](#) = Not relevant for lead free process

Other:

- [Brand](#) = AMP

- Selectively Loaded = No
- Shield Material = Phosphor bronze

Contact Features:

- Contact Type = Pin
- Contact Configuration = ACTION PIN Post
- Feedthrough Post Length (mm [in]) = 2.50 [0.098]
- Contact Mating Area Length (mm [in]) = 5.30 [0.209]
- Contact Base Material = Phosphor Bronze

Corporate Information

- [About TE](#)
- [Investors](#)
- [News Room](#)
- [Supplier Portal](#)
- [Careers](#)
- [Terms & Conditions](#)
- [Privacy Policy](#)
- [AODA Accessibility Policy](#)
- [AODA Multi-Year Accessibility Plan](#)

Quick Links

- [Distributor Inventory](#)
- [Product Cross Reference](#)
- [Documents & Drawings](#)
- [Product Compliance Support Center](#)
- [Site Map](#)

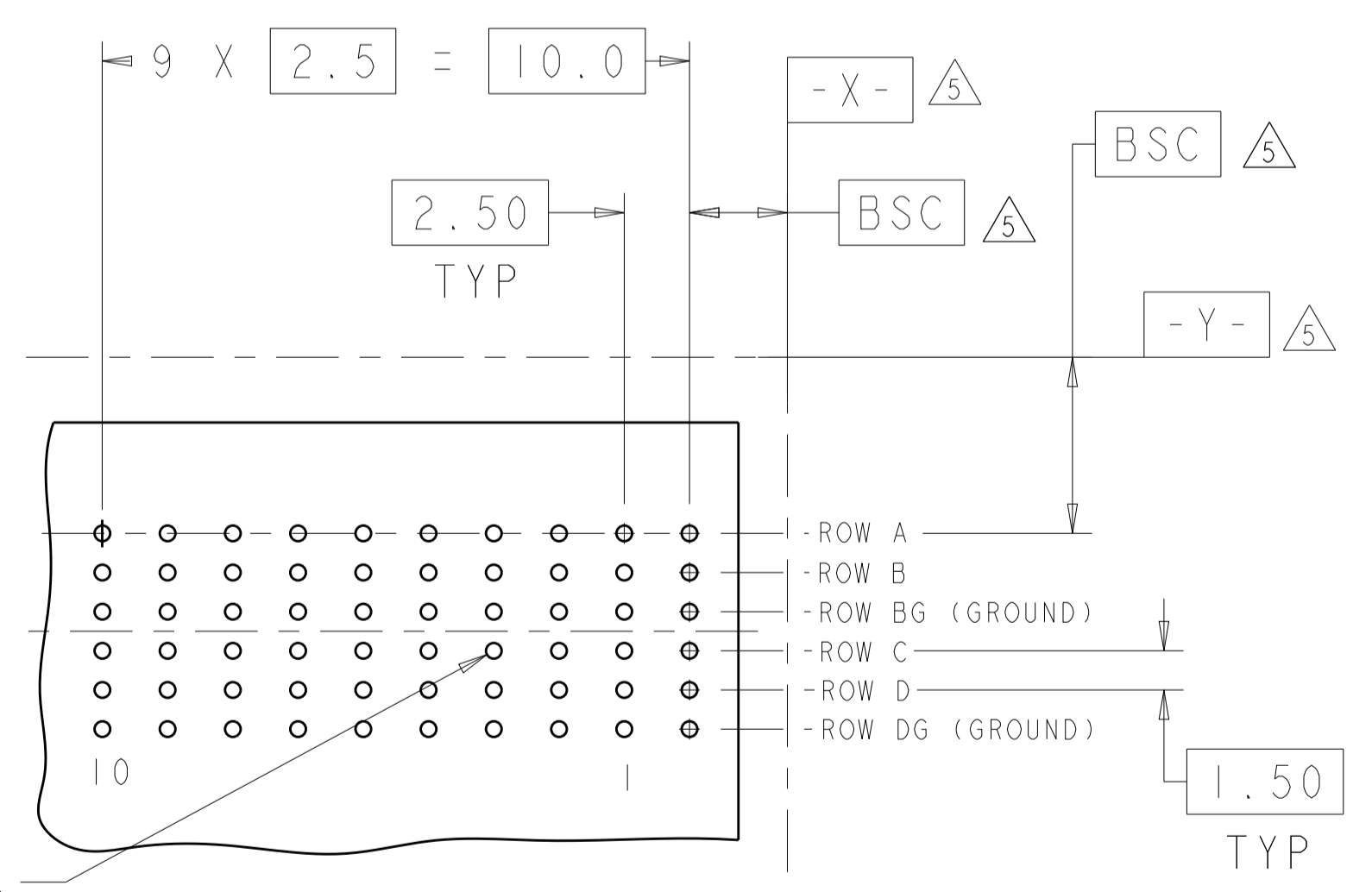
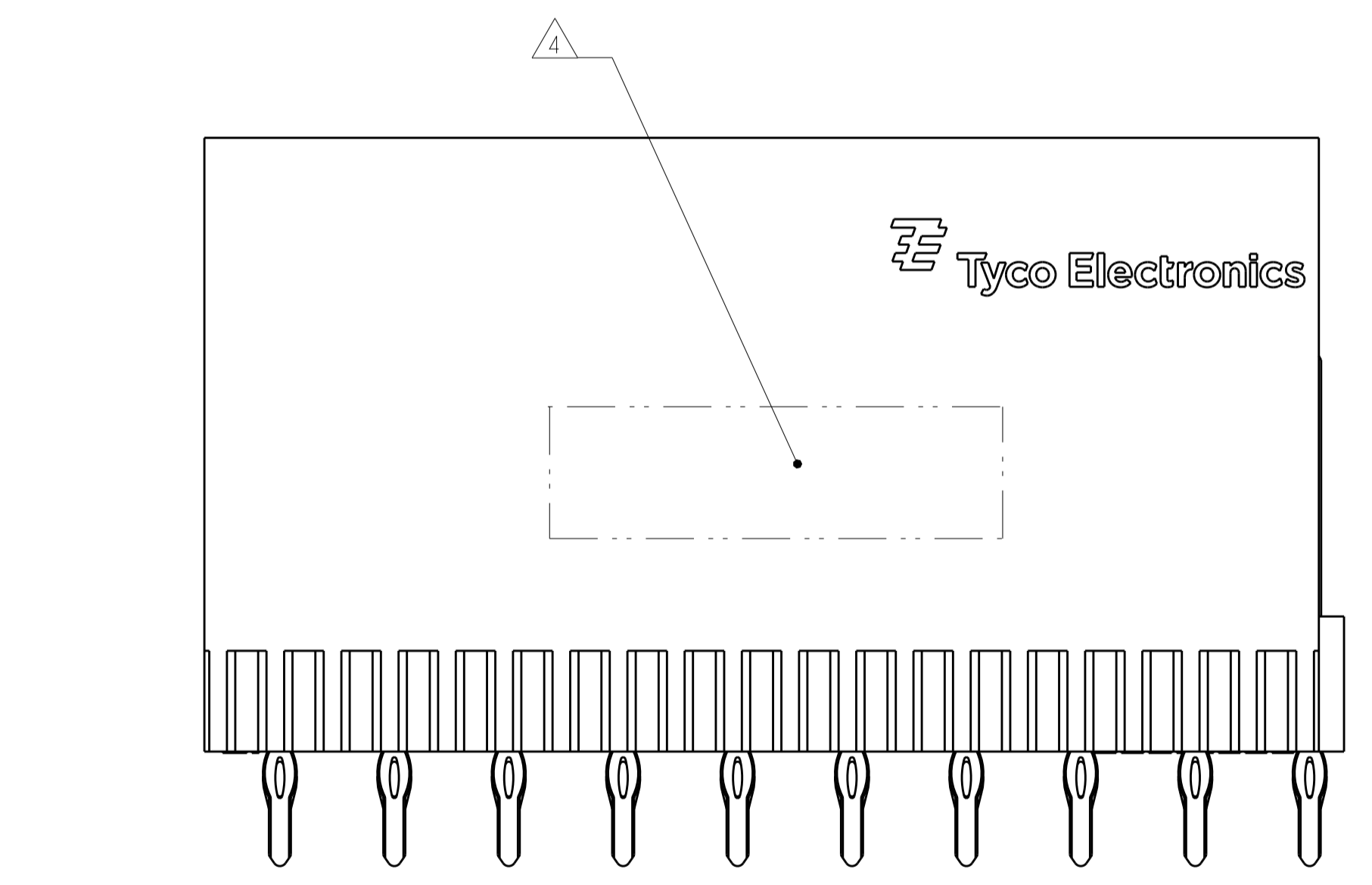
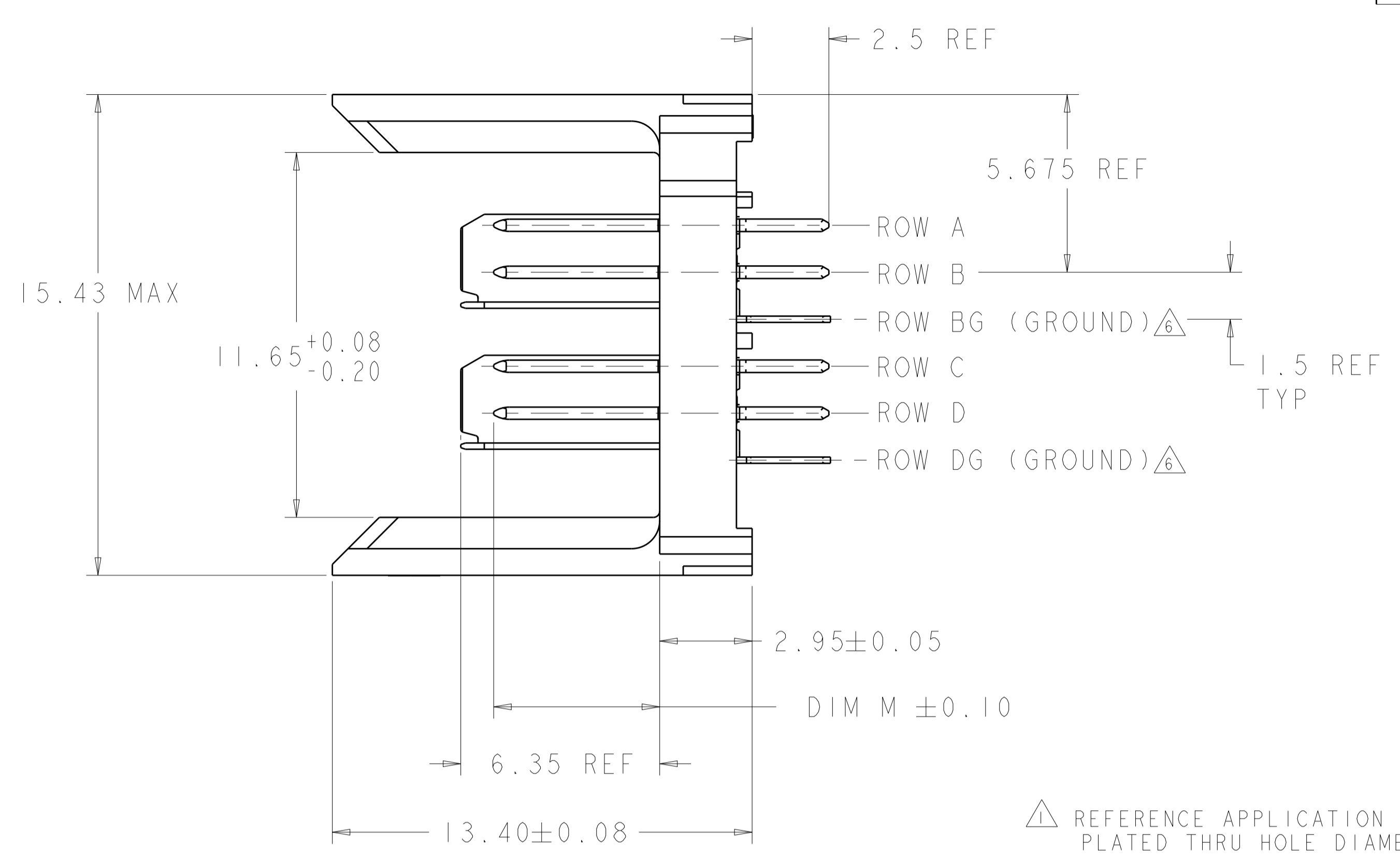
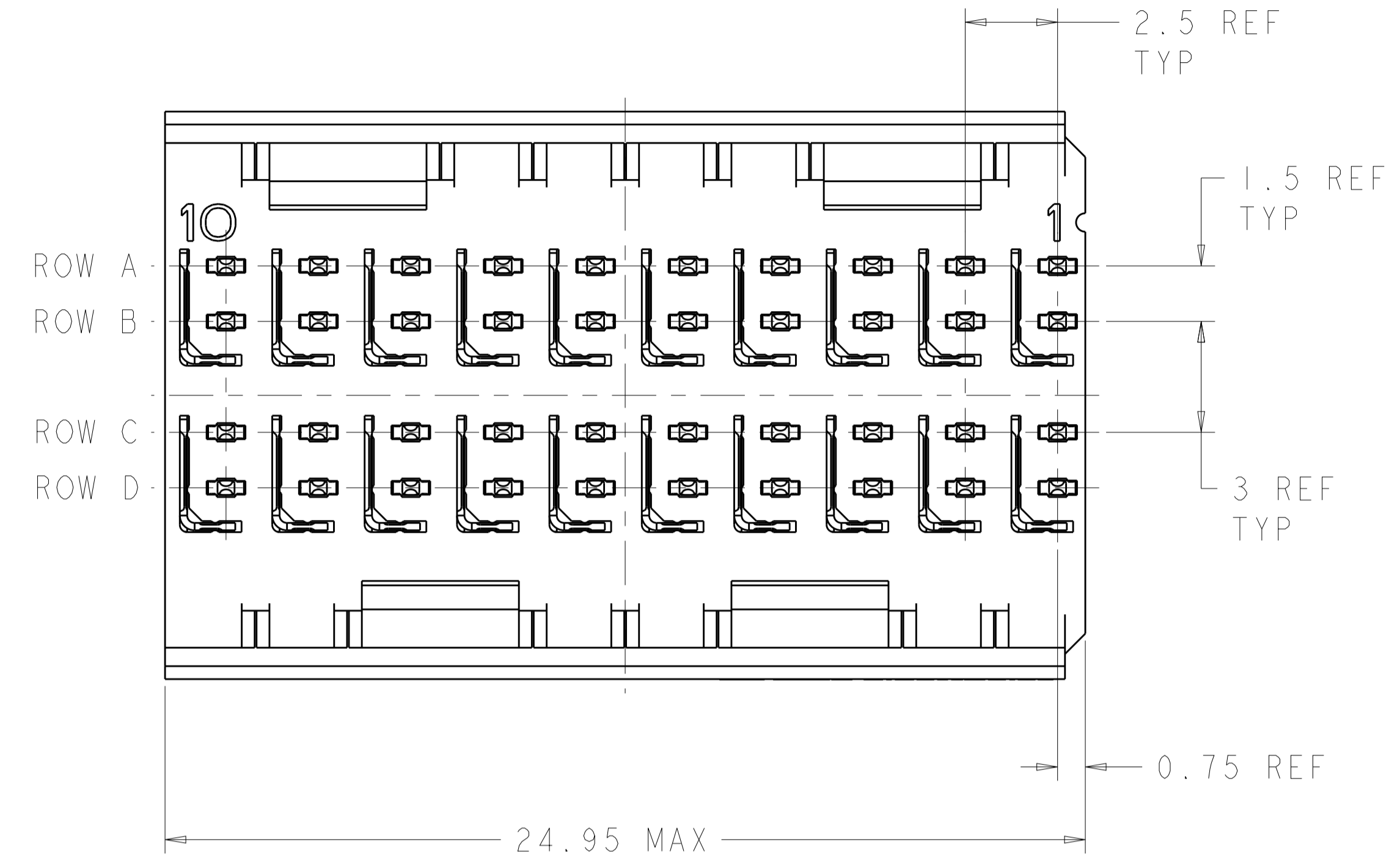
Customer Support

- [Email or Chat With Us](#)
- [Find a Phone Number](#)
- [Knowledge Base](#)
- [Manage Your Account](#)

Keep Me Informed



LOC		DIST		REVISIONS			
AD	00	P	LTN	DESCRIPTION	DATE	DWN	APVD
		E1		REVISED PER ECO-13-003342	04MAR2013	KH	MH



⊕ ∅0.05Ⓢ X Y
 ALL PLATED THRU HOLES
 RECOMMENDED PC BOARD LAYOUT, BACKPLANE, COMPONENT SIDE SHOWN SCALE 4:1

- △ REFERENCE APPLICATION SPEC 114-13059 FOR RECOMMENDED PLATED THRU HOLE DIAMETER AND PLATING THICKNESSES.
- △ MATERIAL:
 CONTACT AND SHIELD - PHOSPHOR BRONZE
 HOUSING - GLASS FILLED POLYESTER, UL 94V-0.
- △ FINISH: SIGNAL AND GROUND CONTACTS:
 MATING AREA: MEETS THE PERFORMANCE REQUIREMENTS OF PRODUCT SPECIFICATION 108-2055; BASED ON TELCORDIA GR-1217-CORE, APPLICATIONS IN UNCONTROLLED ENVIRONMENTS
 COMPLIANT PIN AREA: 0.5μm MIN BRIGHT TIN-LEAD OVER BASE PLATING
- △ CONNECTOR MARKED WITH PART NUMBER AND DATE CODE.
- △ DATUMS AND BASIC DIMENSIONS ESTABLISHED BY CUSTOMER.
- △ THE TWO GROUNDS IN EACH COLUMN ARE COMMONED.
- 7. CONTACT AREA LUBRICATED WITH BELLCORE APPROVED LUBRICANT. TECHNICAL REFERENCE: GR-1217-CORE, ISSUE 1, NOVEMBER 1995.

SUPERSEDED BY 6469025-2	3.80	1469025-2
	5.30	1469025-1
	DIM M	PART NUMBER

THIS DRAWING IS A CONTROLLED DOCUMENT.		DWN R.S.KLINE 11OCT2000	TE Connectivity	
DIMENSIONS: mm		CHK R.PATTERSON 16AUG2007		
TOLERANCES UNLESS OTHERWISE SPECIFIED:		APVD N.SCHROLL 13SEP01	NAME HEADER ASSEMBLY, 2 PAIR, 2.5mm TAIL, 25mm, HMZd	
0 PLC ±		PRODUCT SPEC	SIZE CAGE CODE DRAWING NO RESTRICTED TO	
1 PLC ±		APPLICATION SPEC	A100779C=1469025	
2 PLC ±		WEIGHT	SCALE 8:1 SHEET 1 OF 1 REV E1	
3 PLC ±		Customer Drawing		
4 PLC ±				
ANGLES ±				
FINISH				