

Distributed by:

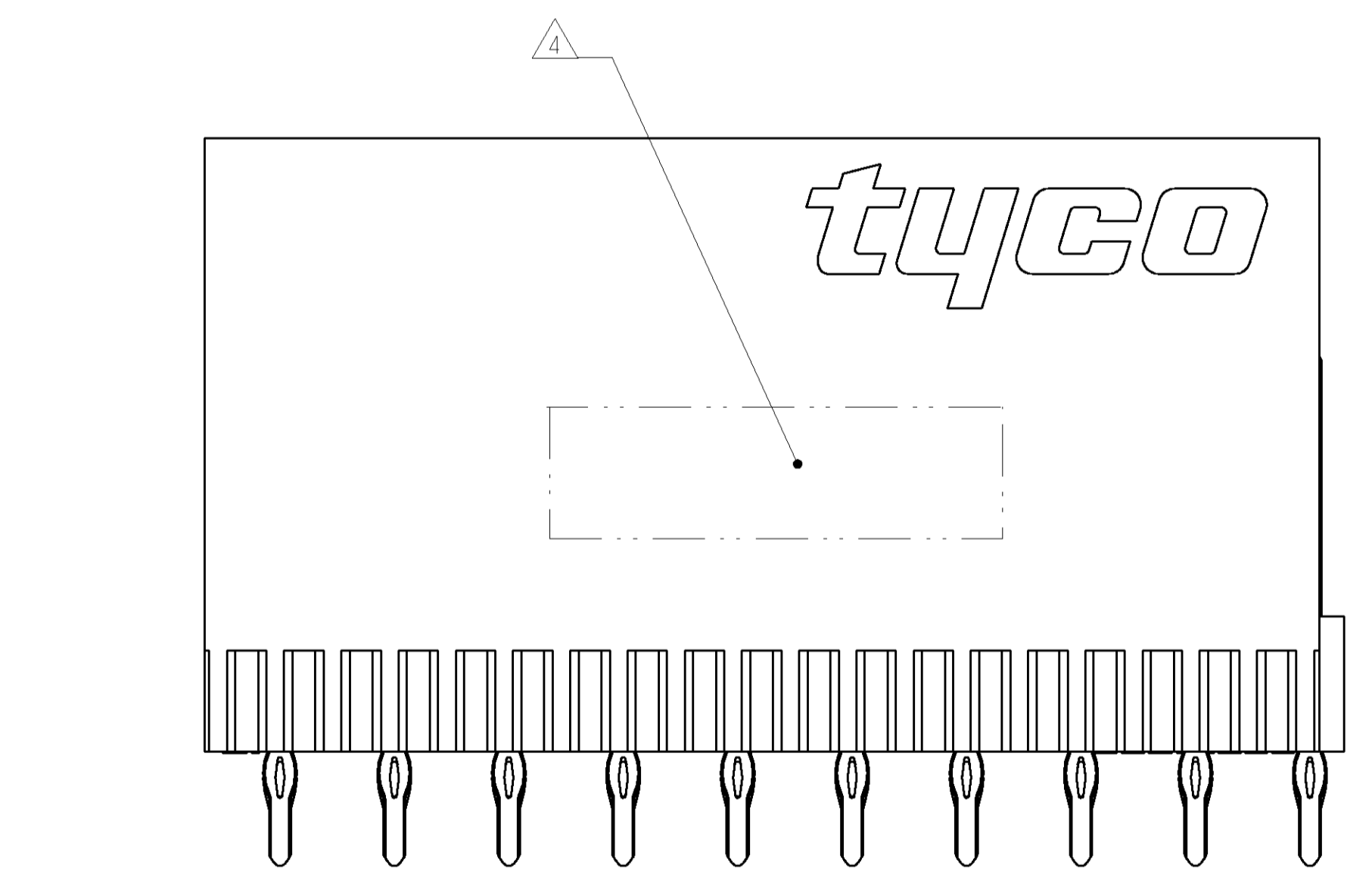
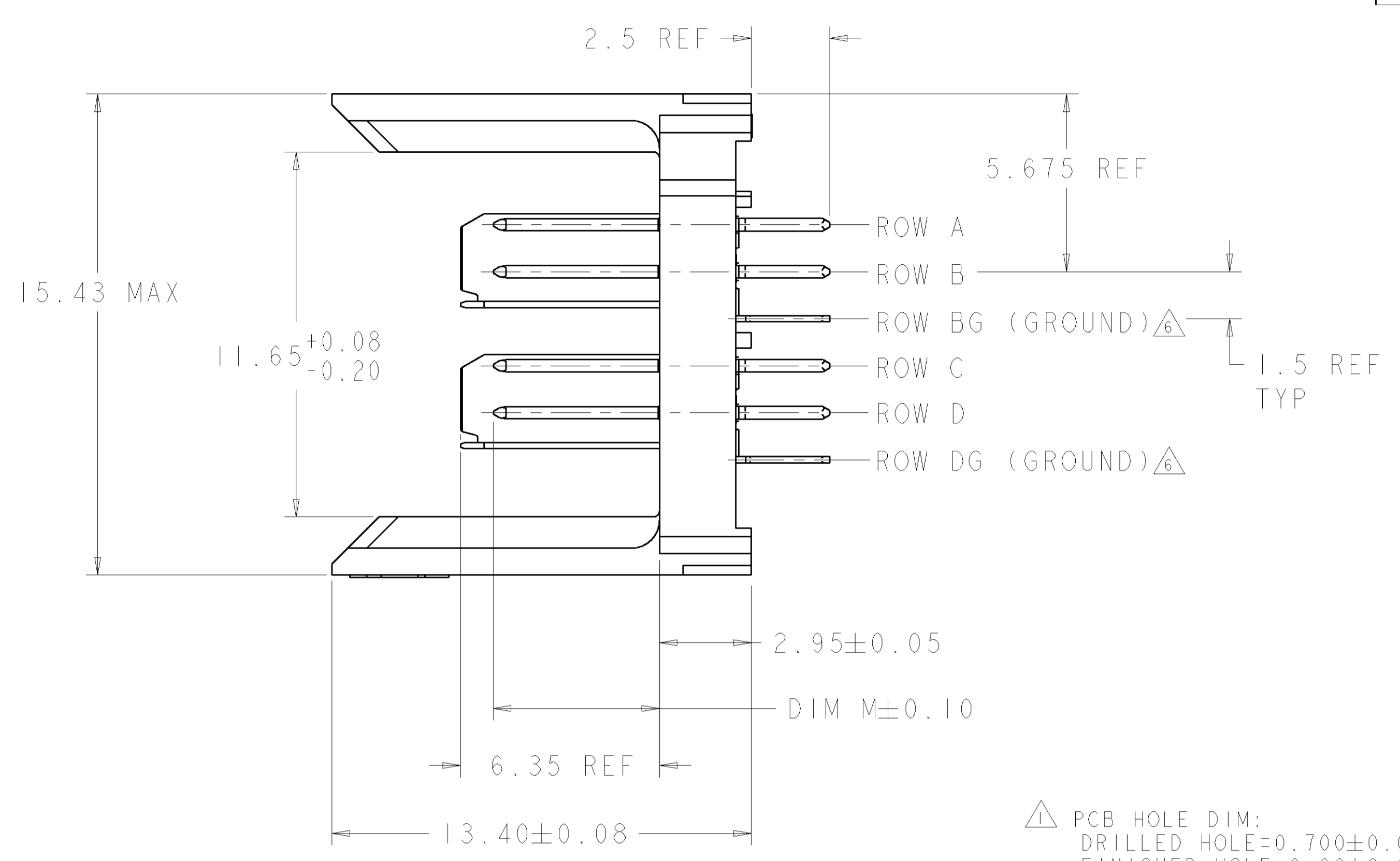
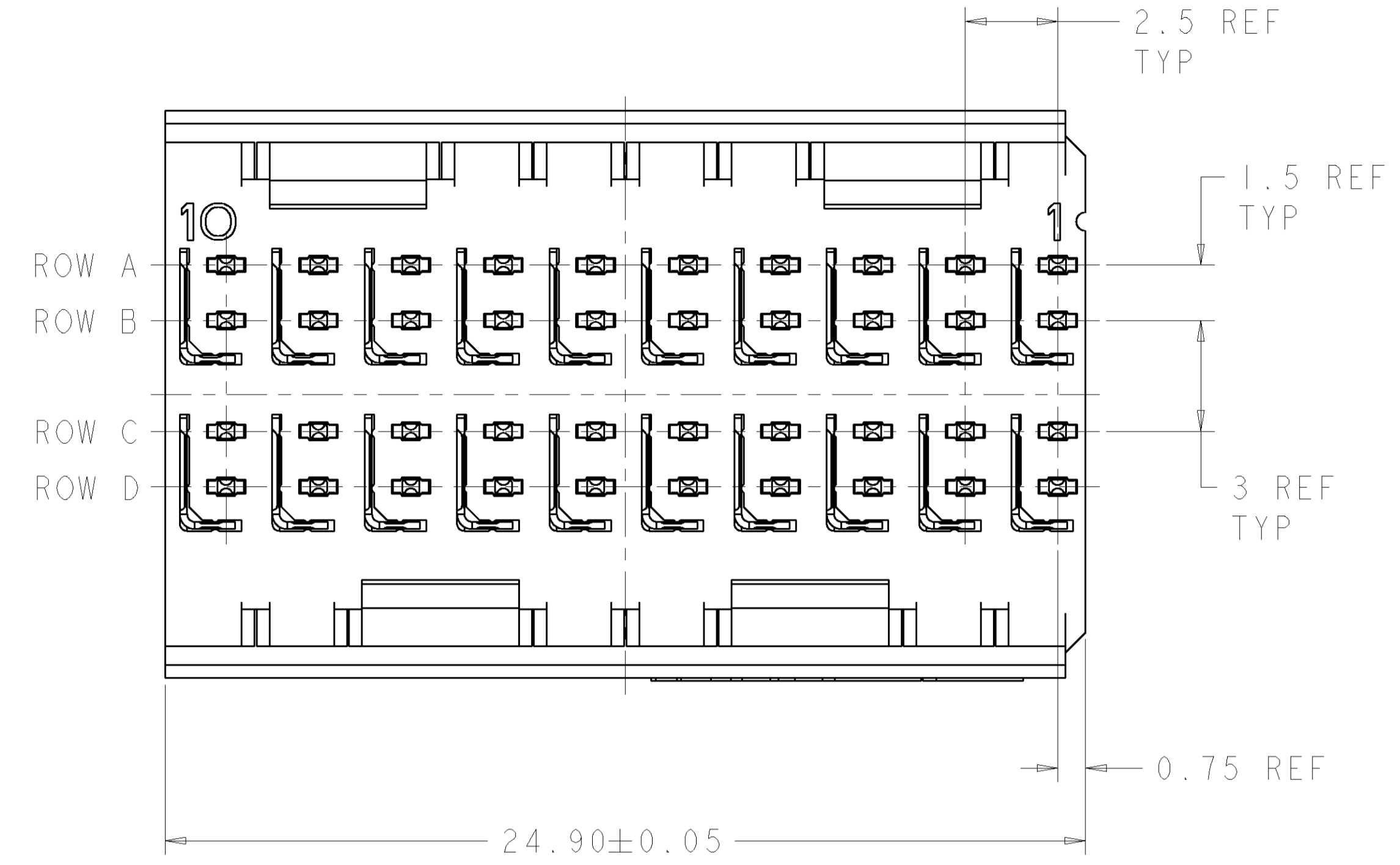
JAMECO[®]
ELECTRONICS

www.Jameco.com ♦ 1-800-831-4242

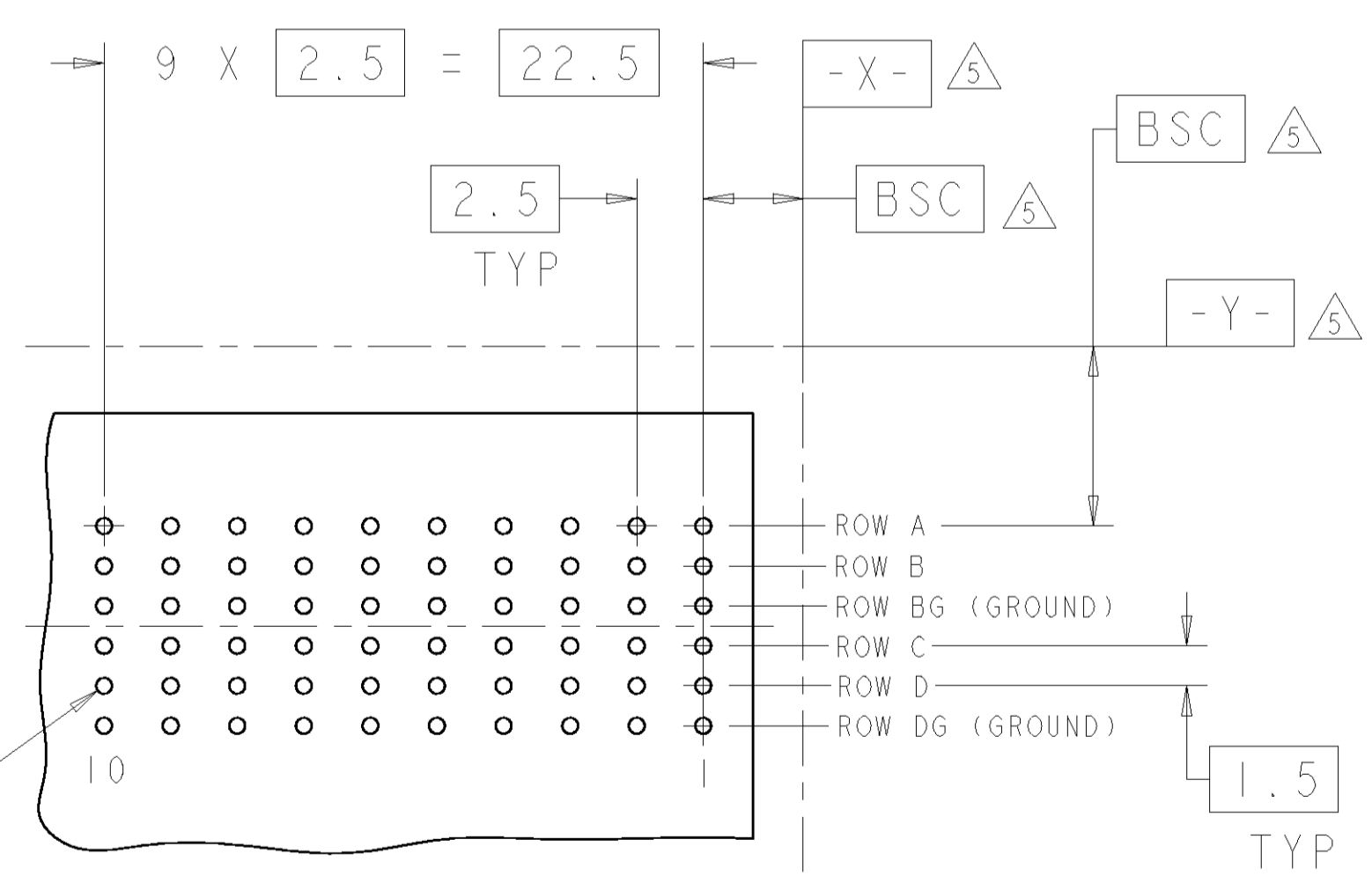
The content and copyrights of the attached
material are the property of its owner.

Jameco Part Number 748633

LOC	DIST	REVISIONS				
AD	00	F. LTR	DESCRIPTION	DATE	DWN	APVD
		O	RELEASED PER EC 0512-0052-02	20MAR2002	DKS	RAP
		A	REVISED PER 0512-0324-02	27AUG02	SJM	NFS
		B	REV PER 0512-0442-03	02FEB2004	RG	BP
		-	-	-	-	-



⊕ ∅0.05 ⊕ X Y
 ALL PLATED THRU HOLES



RECOMMENDED PC BOARD LAYOUT, BACKPLANE, COMPONENT SIDE SHOWN SCALE 4:1

- △ PCB HOLE DIM:
 DRILLED HOLE=0.700±0.025mm
 FINISHED HOLE=0.60±0.05mm
 Cu-THICKNESS=0.0375±0.0125mm
 SnPb THICKNESS=0.007±0.003mm
- △ MATERIAL:
 CONTACT AND SHIELD - PHOSPHOR BRONZE
 HOUSING - GLASS FILLED POLYESTER
- △ FINISH: CONTACT AND SHIELD
 MATING AREA - 0.76µm MIN GOLD OVER 1.27µm MIN NICKEL
 COMPLIANT PIN AREA - 0.5µm MIN BRIGHT TIN-LEAD
 OVER 1.27µm MIN NICKEL
- △ CONNECTOR MARKED WITH PART NUMBER AND DATE CODE.
- △ DATUMS AND BASIC DIMENSIONS ESTABLISHED BY CUSTOMER.
- △ THE TWO GROUNDS IN EACH COLUMN ARE COMMONED.
- 7. CONTACT AREA LUBRICATED WITH BELLCORE APPROVED LUBRICANT. TECHNICAL REFERENCE: GR-1217-CORE, ISSUE 1, NOVEMBER 1995.

3.80	1469025-2
5.30	1469025-1
DIM M	PART NUMBER

DIMENSIONS: mm TOLERANCES UNLESS OTHERWISE SPECIFIED: 0 PLC ± 1 PLC ± 2 PLC ± 3 PLC ± 4 PLC ± ANGLES ±		DWN R.S.KLINE 11OCT2000 CHK - APVD N.SCHROLL 13SEP01 PRODUCT SPEC APPLICATION SPEC WEIGHT - CUSTOMER DRAWING	Tyco Electronics Harrisburg, PA 17105-3608 NAME HEADER ASSEMBLY, 2 PAIR, 2.5mm TAIL, 25mm, HMzd SIZE CAGE CODE DRAWING NO RESTRICTED TO A 00779 C=1469025 - SCALE 8:1 SHEET 1 OF 1 REV B
---	--	--	---