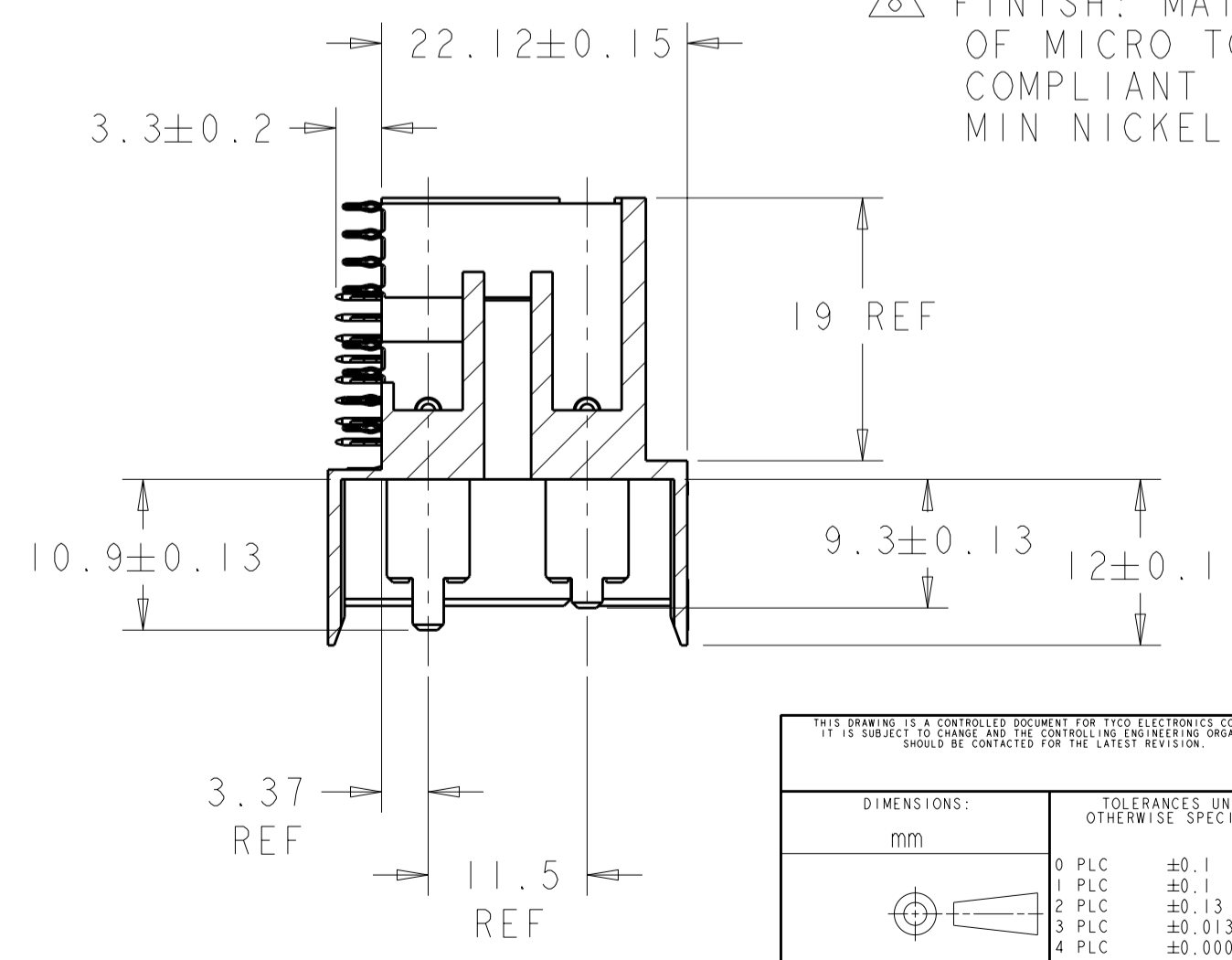
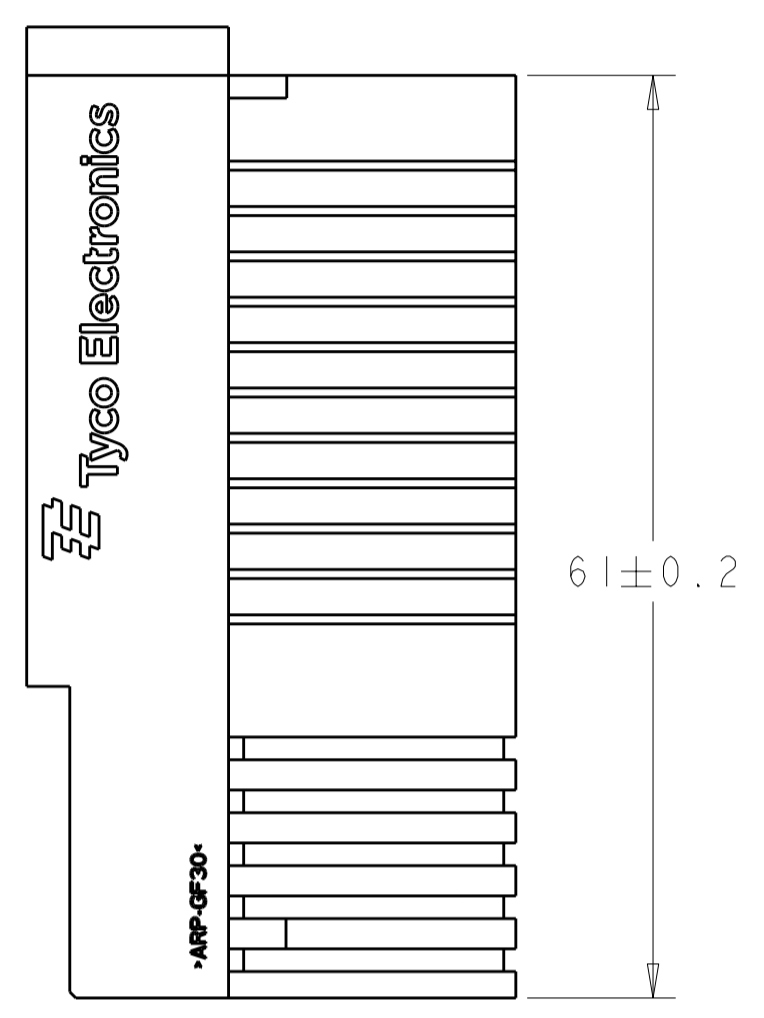
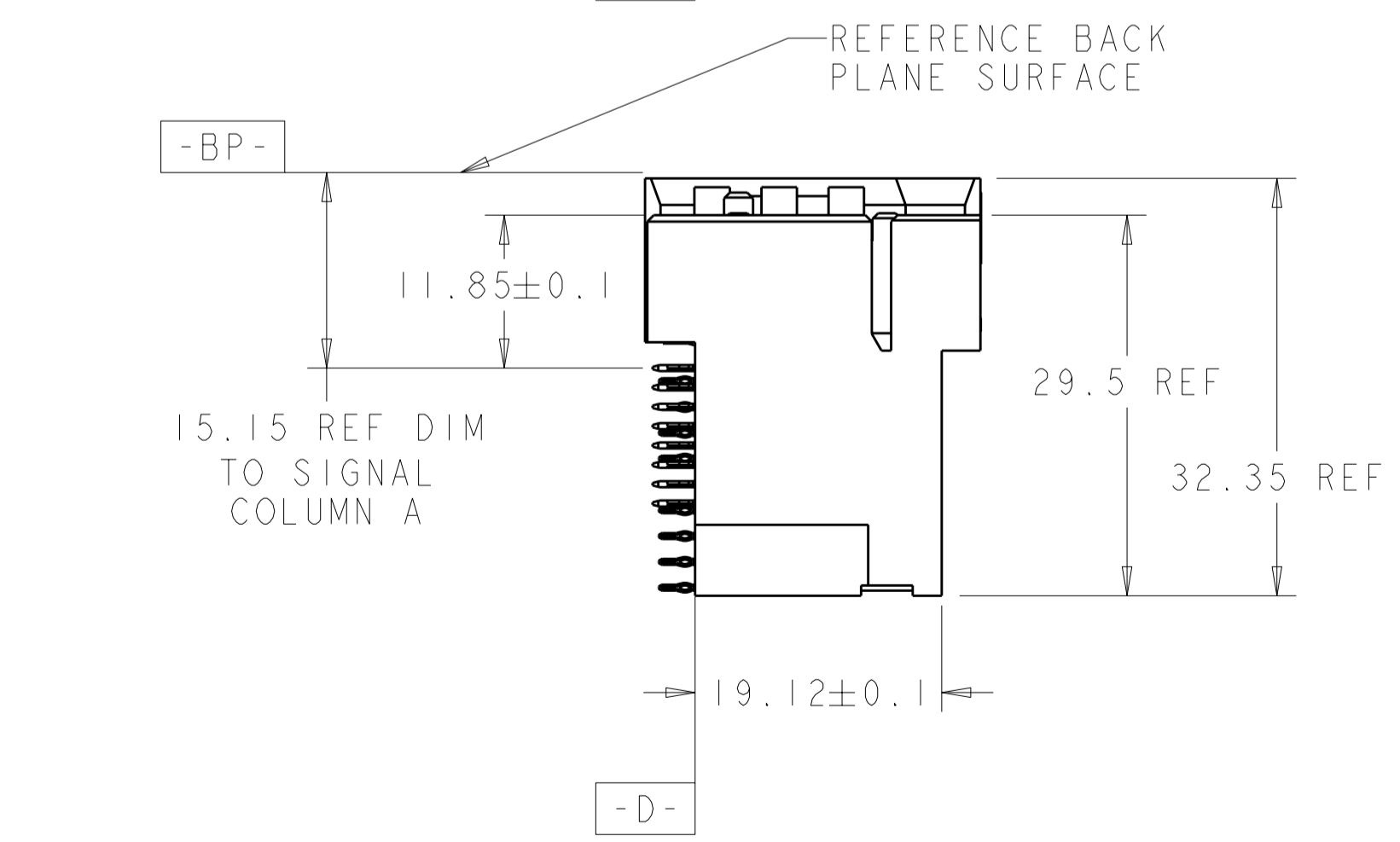
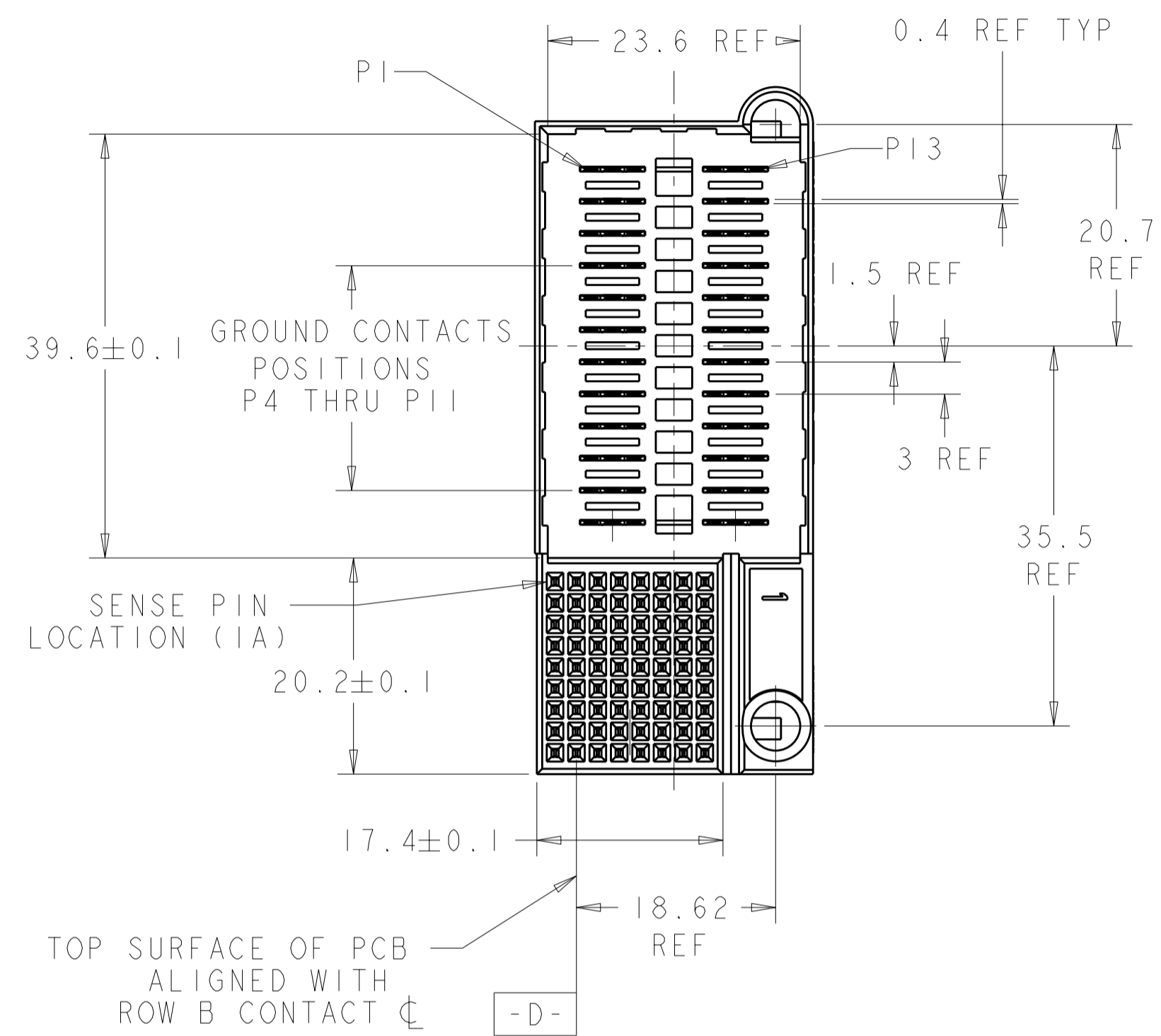


LOC		DIST		REVISIONS			
P	LTR	DESCRIPTION	DATE	DWN	APVD		
CG	00	A	REV PER ECO-08-023966	26SEP08	CR	MP	



SECTION A-A

1 PCB HOLE DIM:  
 DRILLED HOLE =  $0.70 \pm 0.02$  mm  
 FINISHED HOLE = 0.60 mm REF  
 Cu THICKNESS = 0.025-0.050 mm WITH EITHER  
 HASL Sn Pb = 0.004-0.015 mm OR  
 IMMERSION Sn = 0.0005 mm MIN OR  
 OSP = 0.0002-0.0005 mm OR  
 IMMERSION Ag = 0.0001 mm  
 OR  
 DRILLED HOLE =  $0.73 \pm 0.02$  mm  
 FINISHED HOLE = 0.65 mm REF  
 Cu THICKNESS = 0.025-0.050 mm WITH  
 IMMERSION Au/Ni = 0.0001-0.0005 Au OVER  
 0.004-0.005 Ni

- 2 MATERIAL ;  
HOUSING - GLASS FILLED POLYESTER  
CONTACTS - COPPER ALLOY
- 3 FINISH: MATING AREA - MEETS PERFORMANCE REQUIREMENTS OF MICRO TCA.0 DRAFT SPECIFICATION.  
COMPLIANT PIN AREA - 0.5 um TIN OVER 1.27 um MIN NICKEL.
- 4. CONNECTOR MARKED WITH PART NUMBER AND DATE CODE.
- 5 DATUMS AND BASIC DIMENSIONS ESTABLISHED BY CUSTOMER.
- 6. CONTACT AREA LUBRICATED WITH BELLCORE APPROVED LUBRICANT. TECHNICAL REFERENCE GR-1217-CORE, ISSUE 1, NOVEMBER 1995.
- 7 GROUND CONTACT POSITIONS P4 THRU P11 MATE FIRST.
- 8 FINISH: MATING AREA - MEETS PERFORMANCE REQUIREMENTS OF MICRO TCA.0 DRAFT SPECIFICATION.  
COMPLIANT PIN AREA - 0.5 um TIN-LEAD OVER 1.27 um MIN NICKEL.

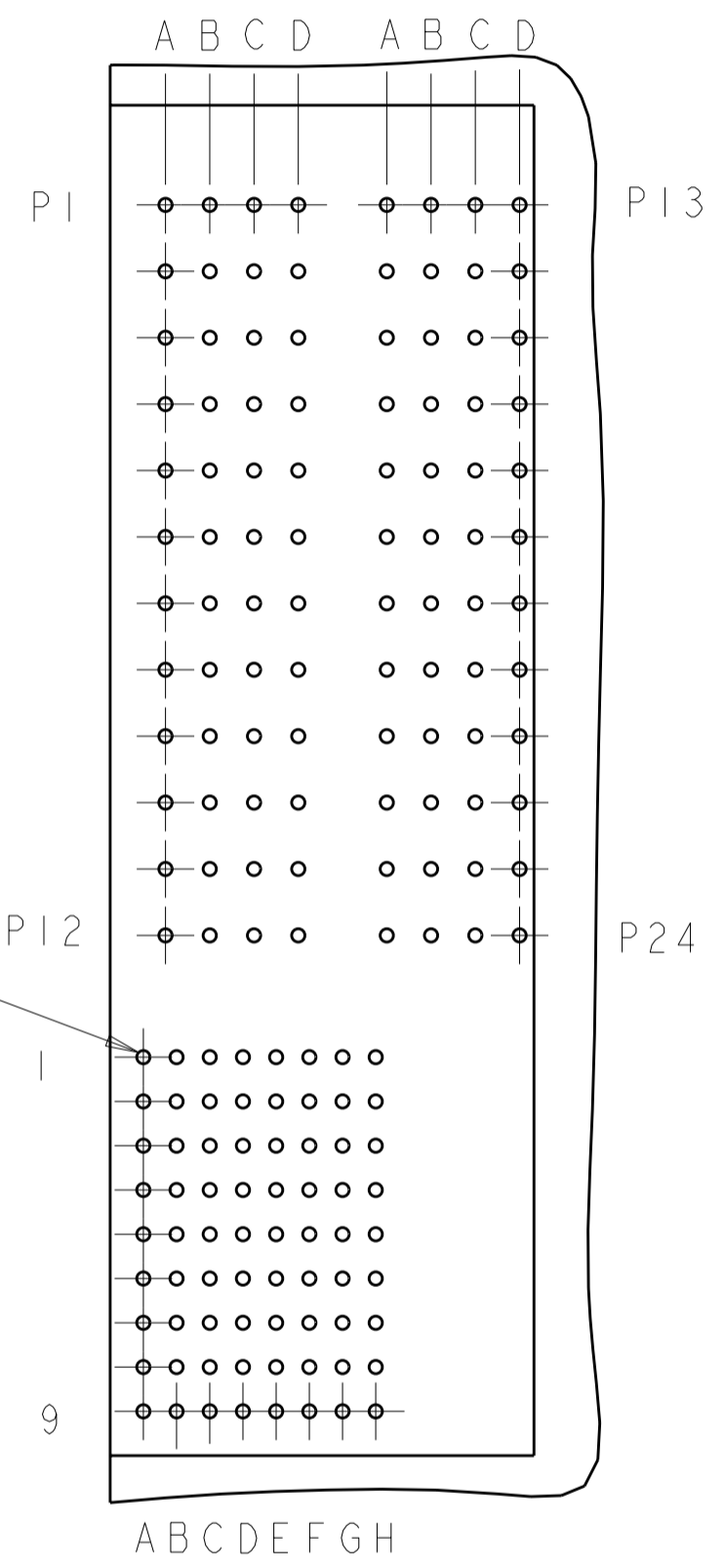
THIS PRODUCT HAS NOT COMPLETED VERIFICATION TESTING

GOLD/TIN-LEAD 8	1469922-2
GOLD/TIN 3	1469922-1
PLATING	PART NUMBER

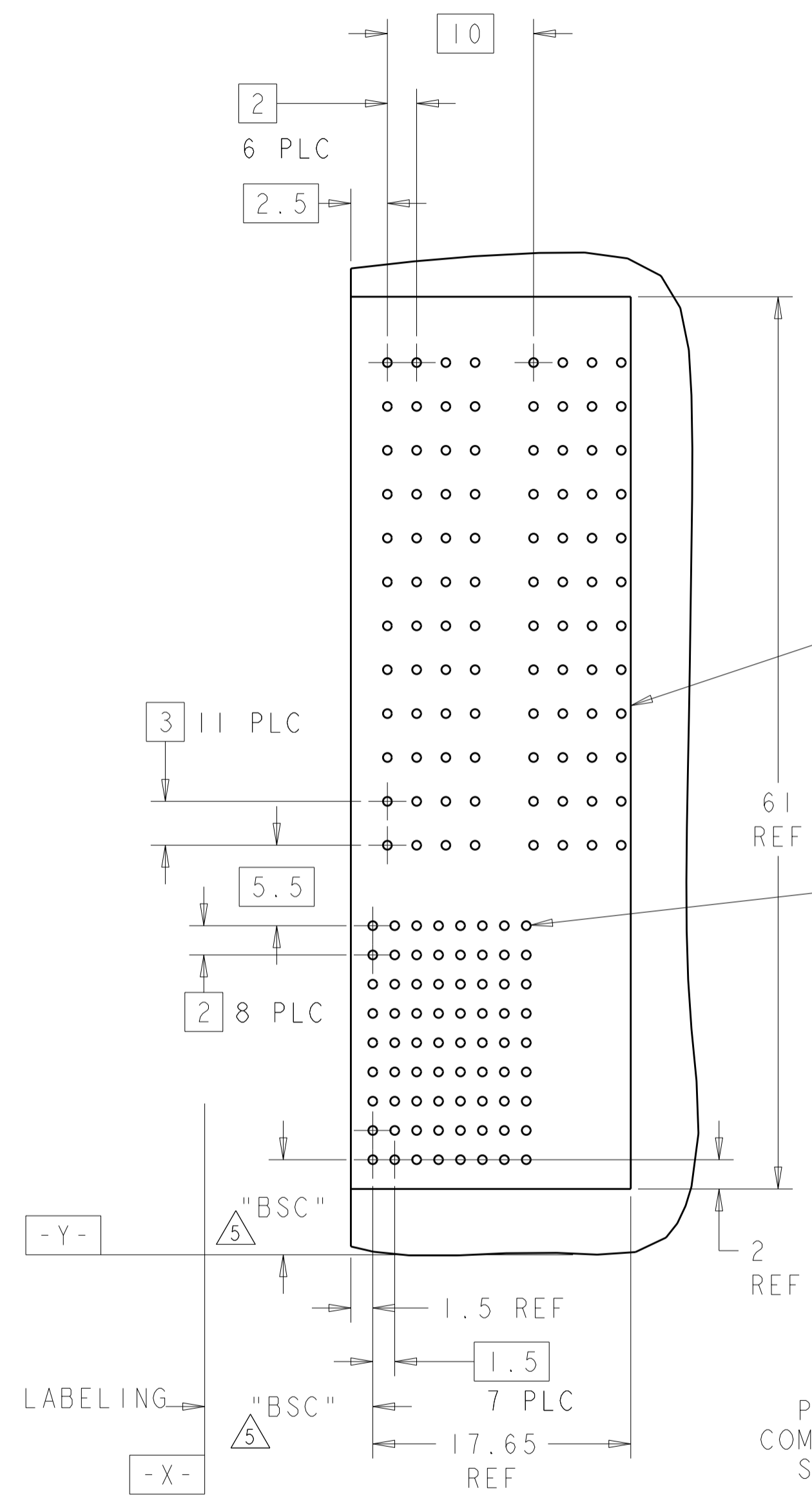
THIS DRAWING IS A CONTROLLED DOCUMENT FOR TYCO ELECTRONICS CORPORATION. IT IS SUBJECT TO CHANGE AND THE CONTROLLING ENGINEERING ORGANIZATION SHOULD BE CONTACTED FOR THE LATEST REVISION.		DWN D. SZCZESNY 03apr06	Tyco Electronics Harrisburg, PA 17105-3608	
DIMENSIONS: mm		CHK -	NAME M. PERCHERKE	
TOLERANCES UNLESS OTHERWISE SPECIFIED: 0 PLC ±0.1 1 PLC ±0.1 2 PLC ±0.13 3 PLC ±0.013 4 PLC ±0.0001 ANGLES ±1 FINISH		APVD M. PERCHERKE 26SEP08	PRODUCT SPEC -	
MATERIAL -1		APPLICATION SPEC -	WEIGHT -	
		CUSTOMER DRAWING	SIZE A2	CAGE CODE 00779
			DRAWING NO 1469922	RESTRICTED TO -
			SCALE 2:1	SHEET 1 OF 2
				REV A

THIS DRAWING IS UNPUBLISHED. RELEASED FOR PUBLICATION 20  
 © COPYRIGHT 20 BY TYCO ELECTRONICS CORPORATION. ALL RIGHTS RESERVED.

LOC	DIST	REVISIONS					
CG	00	P	LTR	DESCRIPTION	DATE	DWN	APVD
		-		SEE SHEET 1			



SCALE 3:1



OUTLINE OF CONNECTOR

Ø0.6 REF TYP  
 ⊕ Ø0.05 ⊕ X Y  
 AFTER PLATING  
 SEE NOTE 1

PCB LAYOUT  
 COMPONENT SIDE  
 SCALE 3:1

THIS DRAWING IS A CONTROLLED DOCUMENT FOR TYCO ELECTRONICS CORPORATION. IT IS SUBJECT TO CHANGE AND THE CONTROLLING ENGINEERING ORGANIZATION SHOULD BE CONTACTED FOR THE LATEST REVISION.		DWN D. SZCZESNY 03apr06	Tyco Electronics Harrisburg, PA 17105-3608	
DIMENSIONS: mm		CHK -	NAME MINIPAK HD POWER/SIGNAL CONNECTOR PRESS FIT TAIL VERSION	
TOLERANCES UNLESS OTHERWISE SPECIFIED: 0 PLC ±0.1 1 PLC ±0.1 2 PLC ±0.13 3 PLC ±0.013 4 PLC ±0.0001 ANGLES ±1		APVD M. PERCHERKE 26SEP08	SIZE A200779	
MATERIAL -1		PRODUCT SPEC -	DRAWING NO C-1469922	
		APPLICATION SPEC -	RESTRICTED TO -	
		WEIGHT -	SCALE 2:1 SHEET 2 OF 2 REV A	
		CUSTOMER DRAWING		