

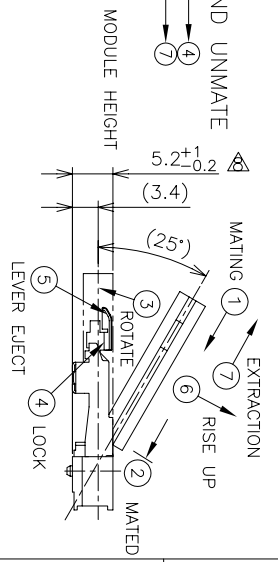
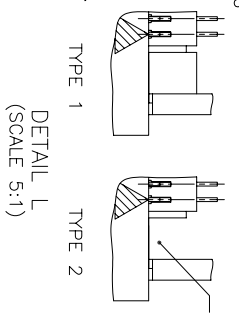
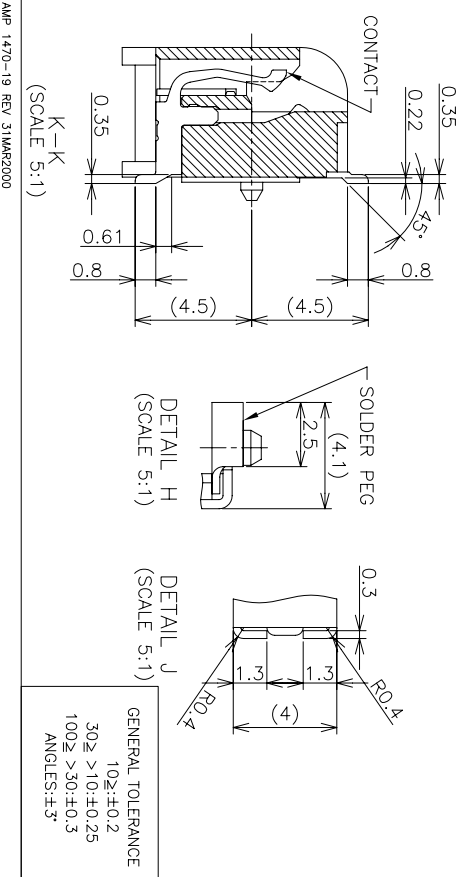
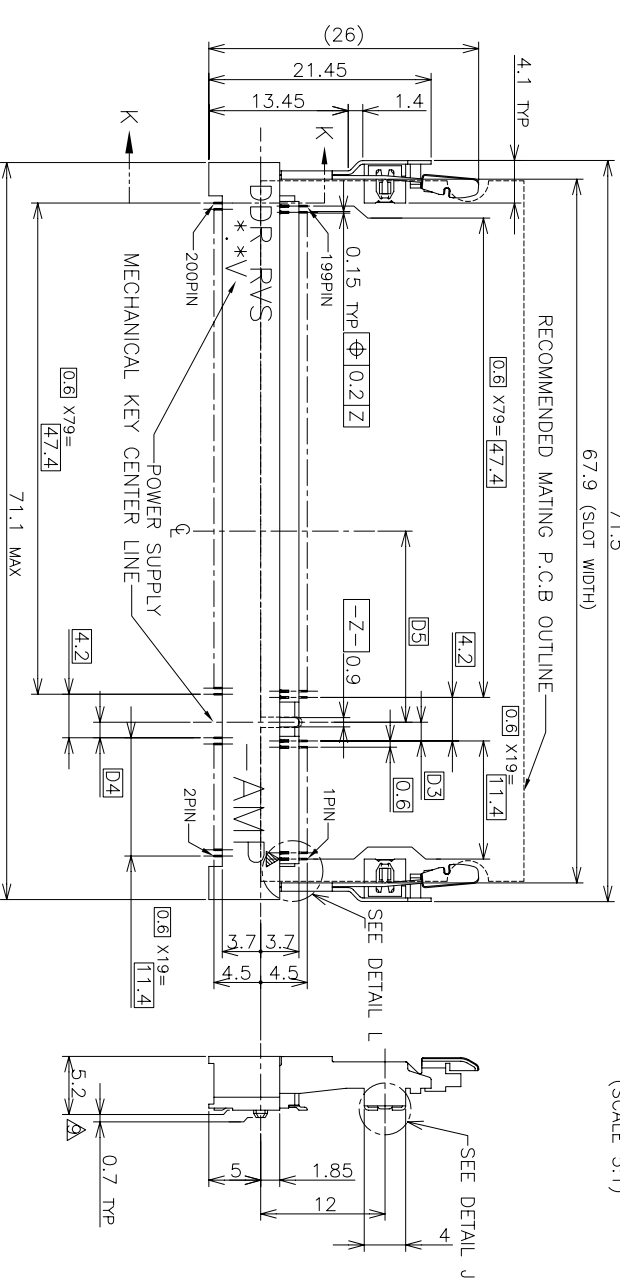
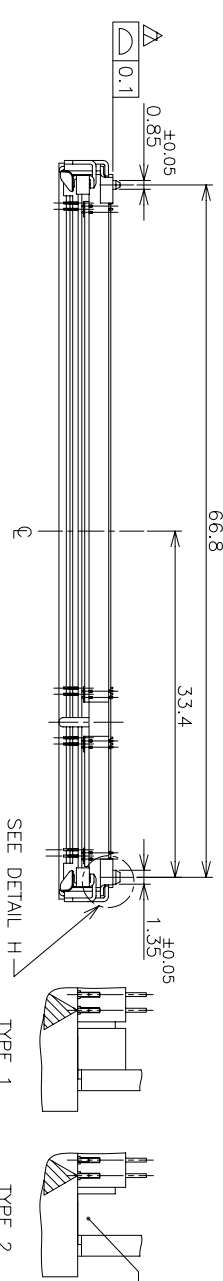
THIS DRAWING IS UNPUBLISHED.
 © COPYRIGHT 2001 BY TDC ELECTRONICS CORPORATION. ALL RIGHTS RESERVED.

NOV. 2001.

LOC
J

DIST
H

REVISIONS		DATE	DMN	APVD
P	LTR			
H	REVISED ECR-05-001352	20APR05	L.Z	I.E



(APPLIED TO SHEET 1-2)
 1. MATERIAL : HOUSING : HIGH TEMPERATURE THERMO PLASTIC UL94V-0
 CONTACT : COPPER ARROY
 LOCK LEVER : STAINLESS STEEL
 SOLDER PEG : COPPER ARROY
 SOLDERING AREA : GOLD FLASH ON 0.0013MIN ALL OVER NICKEL.
 2. FINISH : CONTACT AREA : GOLD FLASH ON 0.0013MIN ALL OVER NICKEL.
 SOLDER PEG : COPPER ARROY
 SOLDERING AREA : GOLD FLASH P.TI.
 SOLDER PEG : TIN PLATING.
 MECHANICAL KEY POSITION OF CONNECTOR SEE TABLE.
 TOLERANCES NON-CUMULATIVE.
 NOT TO SCALE.
 DIMENSIONS MUST BE RESIST COAT EXCEPT SOLDER PATTERN.
 COMPLIABILITY : 0.1 MAX.
 THE FLOATING VALUE BY SOLDERING IS NOT INCLUDED.
 NOT MATING CONDITION.

TYPE	AVAILABLE	BOSSLESS	1.8V (DDR2)	17.55	2.4	2.7	200	1-1473006-4
TYPE 2	AVAILABLE		1.8V (DDR2)	17.55	2.4	2.7	200	1473006-4
TYPE 1	AVAILABLE	HOUSING COLOR: GRAY	2.5V (DDR1)	18.45	1.5	1.8	200	6-1473006-1
TYPE 1	AVAILABLE	BOSSLESS	2.5V (DDR1)	18.45	1.5	1.8	200	1-1473006-1
TYPE 1	AVAILABLE		2.5V (DDR1)	18.45	1.5	1.8	200	1473006-1
TAB TYPE		REMARK	POWER SUPPLY (TYPE)	D5	D4	D3	POS	PART NO.

THIS DRAWING IS A CONTROLLED DOCUMENT.

DMN T. FUJIKURA
 CHK. T. KUSUHARA
 18JAN02 18JAN02

tyco Electronics
 Kawasaki, Japan
 Tyco Electronics AMP K.K.

DIMENSIONS: TOLERANCES UNLESS OTHERWISE SPECIFIED: MM

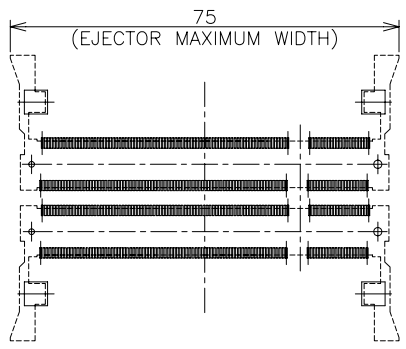
0 PIC ±
 1 PIC ±
 2 PIC ±
 3 PIC ±
 4 PIC ±
 FINISH ±

GENERAL TOLERANCE
 10±±0.2
 30± > 10 ±0.25
 100± > 30 ±0.3
 ANGLES: ±3°

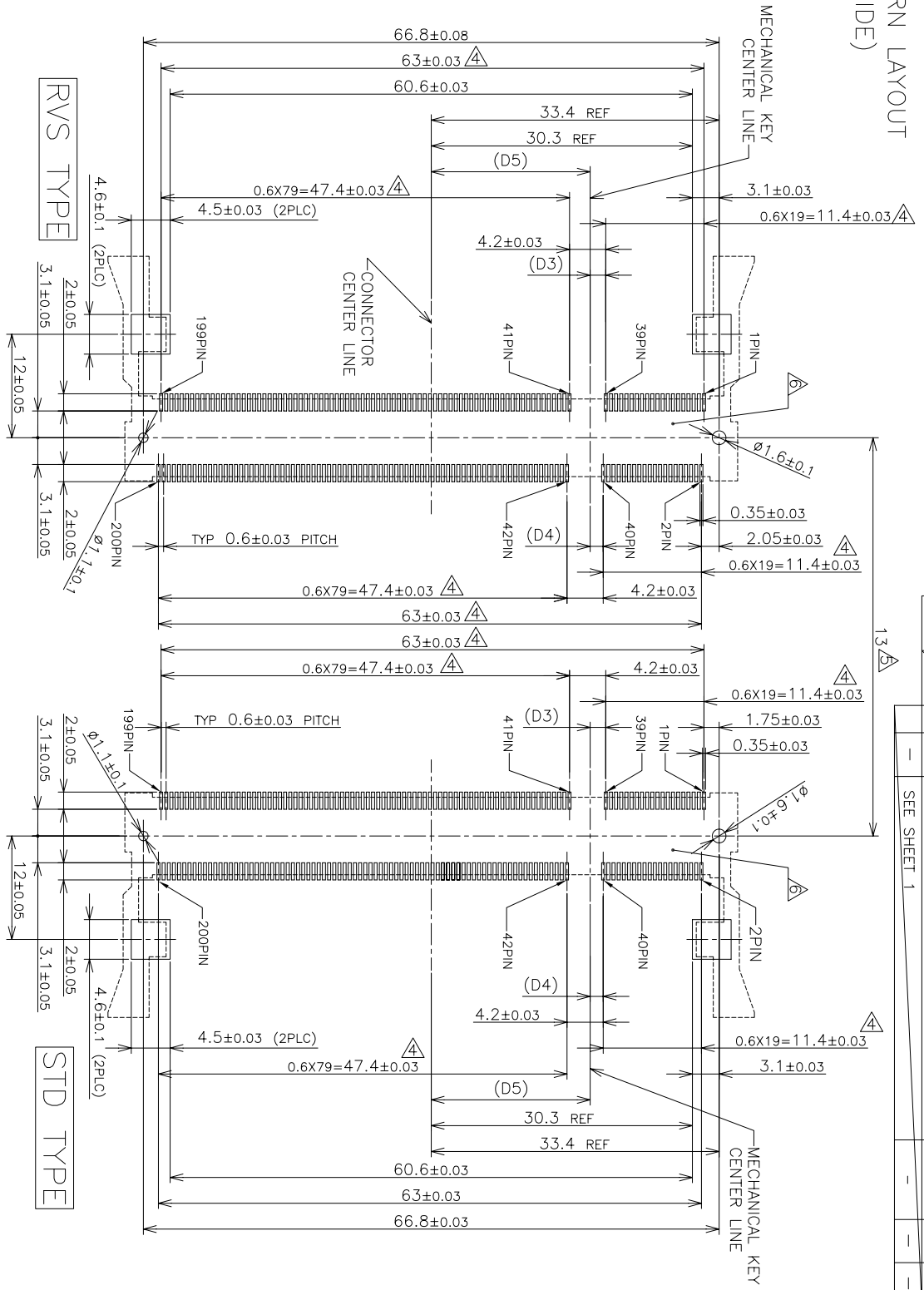
DRAWING NO. A3 00779 C-1473006
 SCALE 2:1

SHEET 1 OF 4
 REV H

REFERENCE P.C. BOARD PATTERN LAYOUT (CONNECTOR MOUNTING SIDE)



REAL SIZE (SCALE 1:1)



1.8V	17.55	2.4	2.7
2.5V	18.45	1.5	1.8
POWER SUPPLY	D5	D4	D3

THIS DRAWING IS A CONTROLLED DOCUMENT.

DIMENSIONS:	TOLERANCES UNLESS OTHERWISE SPECIFIED:
MM	±
	±
	±
	±
	±
	±
	±
	±
	±

FINISH	ANGLES
0 P/C	±
1 P/C	±
2 P/C	±
3 P/C	±
4 P/C	±

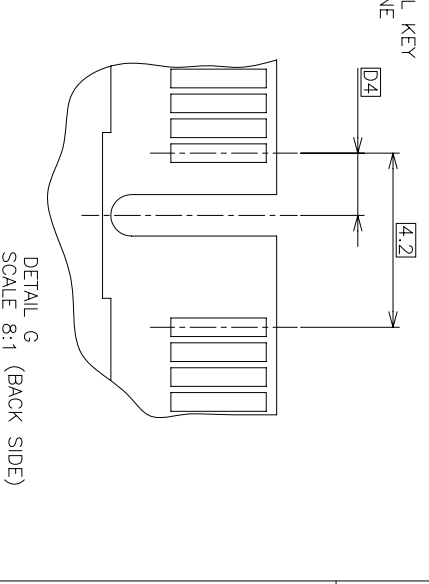
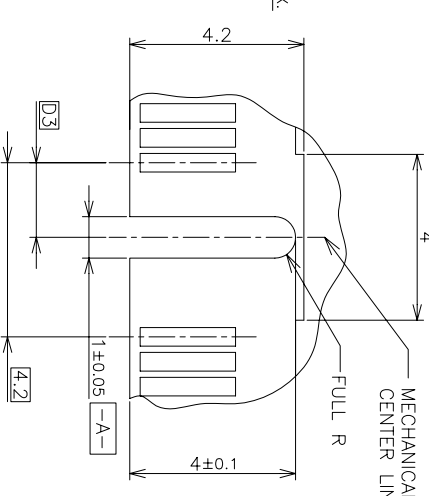
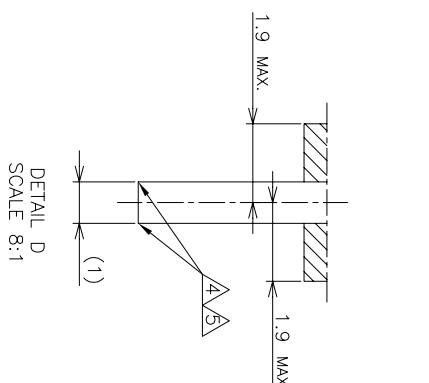
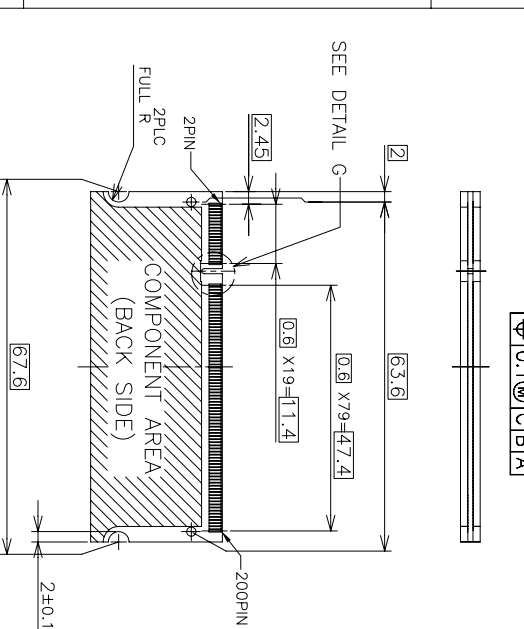
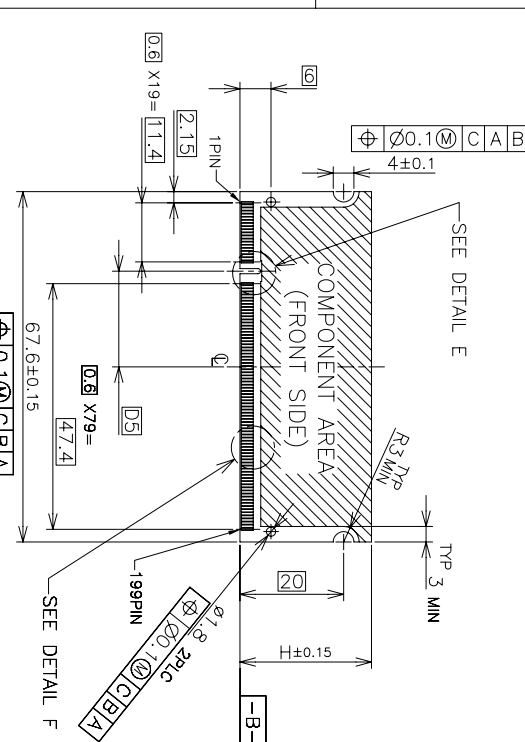
tyco
Electronics
Tyco Electronics AMP K.K.
Kawasaki, Japan

NAME: DDR1 & DDR2 SODIMM SOCKET
0.6mm PITCH 200POS
STANDARD PROFILE REVERSE TYPE

SIZE: A3
CAGE CODE: 00779
DRAWING NO: 1473006

SCALE: 2:1

REVOLUTIONS		DATE	DMN	APVD
1	DESCRIPTION			
2	SEE SHEET 1			



RECOMMENDED MATING P.C.B CONFIGURATION

THIS DRAWING IS A CONTROLLED DOCUMENT.

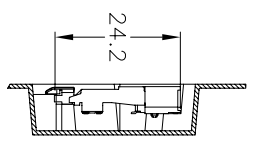
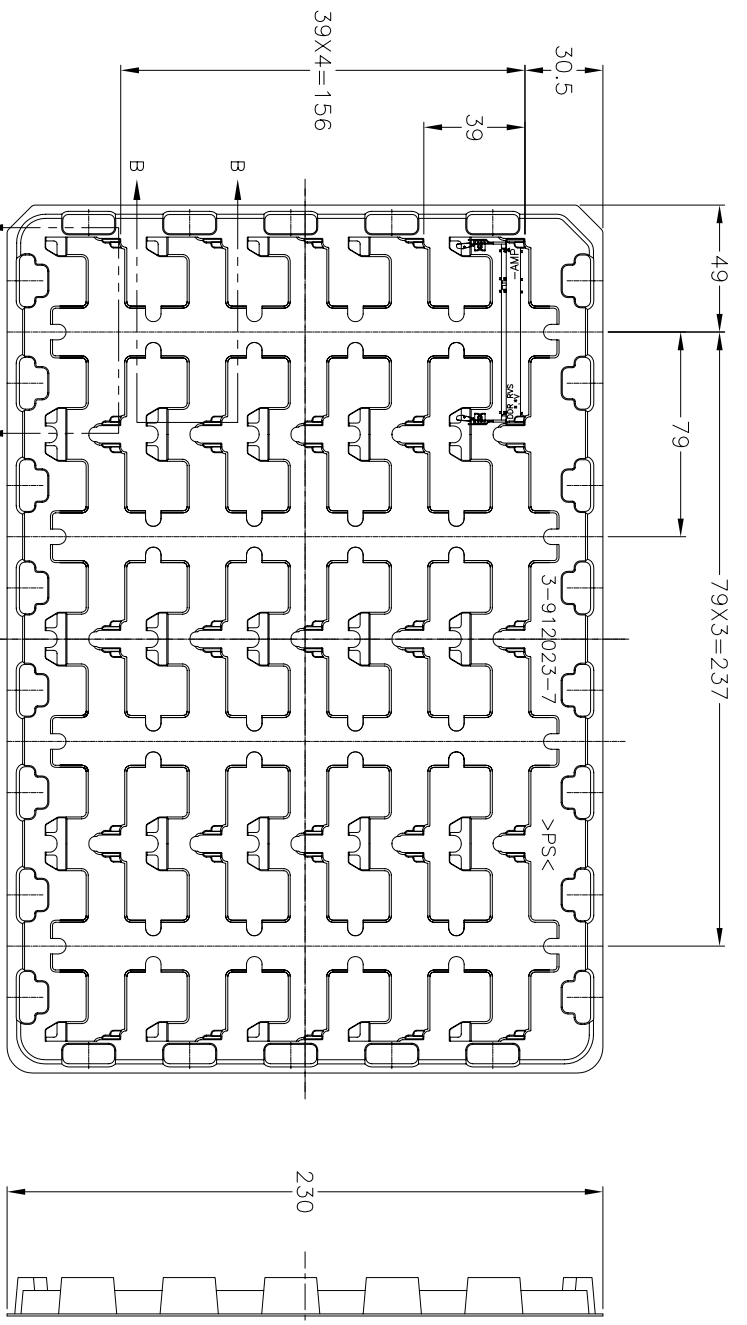
APVD	DMN	CHK	NAME
			tyco Tyco Electronics AMP K.K. Kawasaki, Japan

PRODUCT SPEC	APPLICATION SPEC	WEIGHT	CUSTOMER DRAWING

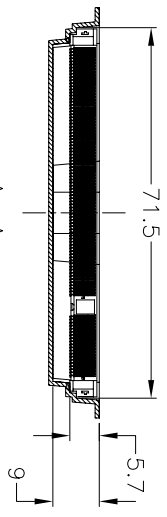
SIZE	CAGE CODE	DRAWING NO	RESTRICTED TO
A3	00779	1473006	

SCALE	SHEET	OF	REV
2:1	3	4	H

REVISIONS		DATE	DMW	APVD
P	LTR	DESCRIPTION		
-	-	SEE SHEET 1	-	-



B-B
SCALE 2:1



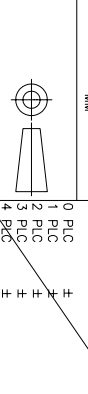
A-A
SCALE 2:1
(180DEG. ROTATE)

1.8V (DDR2)	20EA/TRAY	1-1473006-4
1.8V (DDR2)	20EA/TRAY	1473006-4
2.5V (DDR1)	20EA/TRAY	6-1473006-1
2.5V (DDR1)	20EA/TRAY	1-1473006-1
2.5V (DDR1)	20EA/TRAY	1473006-1
POWER SUPPLY (TYPE)	QTY	P/N

- (APPLIED TO SHEET 4)
1. THE DIRECTION OF EACH CONNECTOR ON A TRAY IS REFERRED TO THIS DRAWING.
 2. GENERAL TOLERANCE: ±0.5

THIS DRAWING IS A CONTROLLED DOCUMENT.

DIMENSIONS: MM	TOLERANCES UNLESS OTHERWISE SPECIFIED:
0 P/C	±
1 P/C	±
2 P/C	±
3 P/C	±
4 P/C	±
ANGLES	±
FINISH	±



DMW	CHK	APVD	PRODUCT SPEC	APPLICATION SPEC	WEIGHT	CUSTOMER DRAWING

		Tyco Electronics AMP K.K. Kawasaki, Japan	
NAME: DDR1 & DDR2 SODIMM SOCKET 0.6mm PITCH 200POS STANDARD PROFILE REVERSE TYPE			
SIZE	CAGE CODE	DRAWING NO.	RESTRICTED 20
A3	00779	1473006	
SCALE	1:2	SHEET	4 OF 4
		REV	H