

Distributed by:

**JAMECO**<sup>®</sup>  
ELECTRONICS

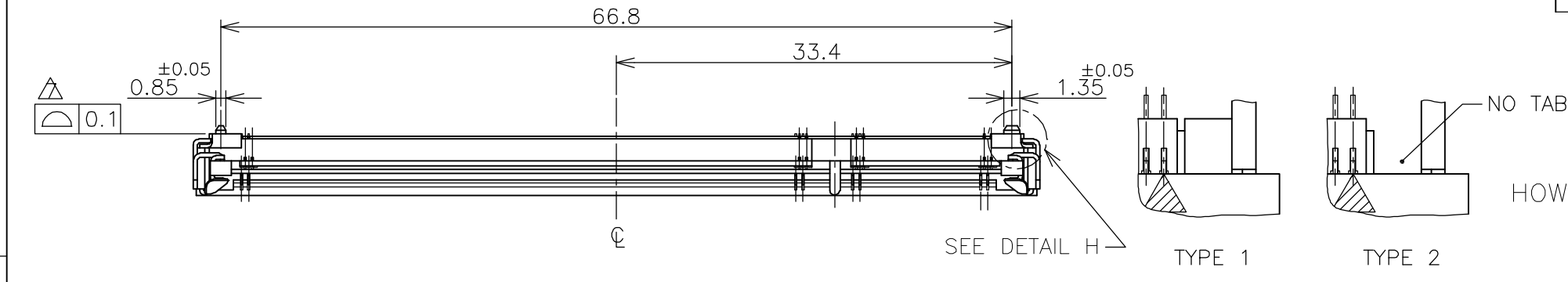
**www.Jameco.com ♦ 1-800-831-4242**

The content and copyrights of the attached  
material are the property of its owner.

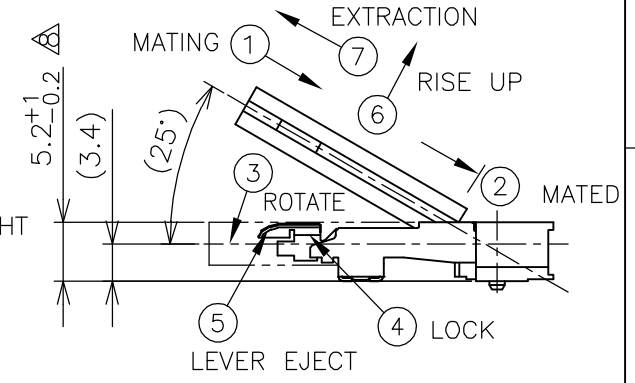
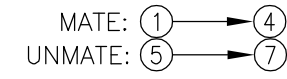
Jameco Part Number 741221

THIS DRAWING IS UNPUBLISHED. RELEASED FOR PUBLICATION NOV. 2001.  
 © COPYRIGHT 2001 BY TYCO ELECTRONICS CORPORATION. ALL RIGHTS RESERVED.

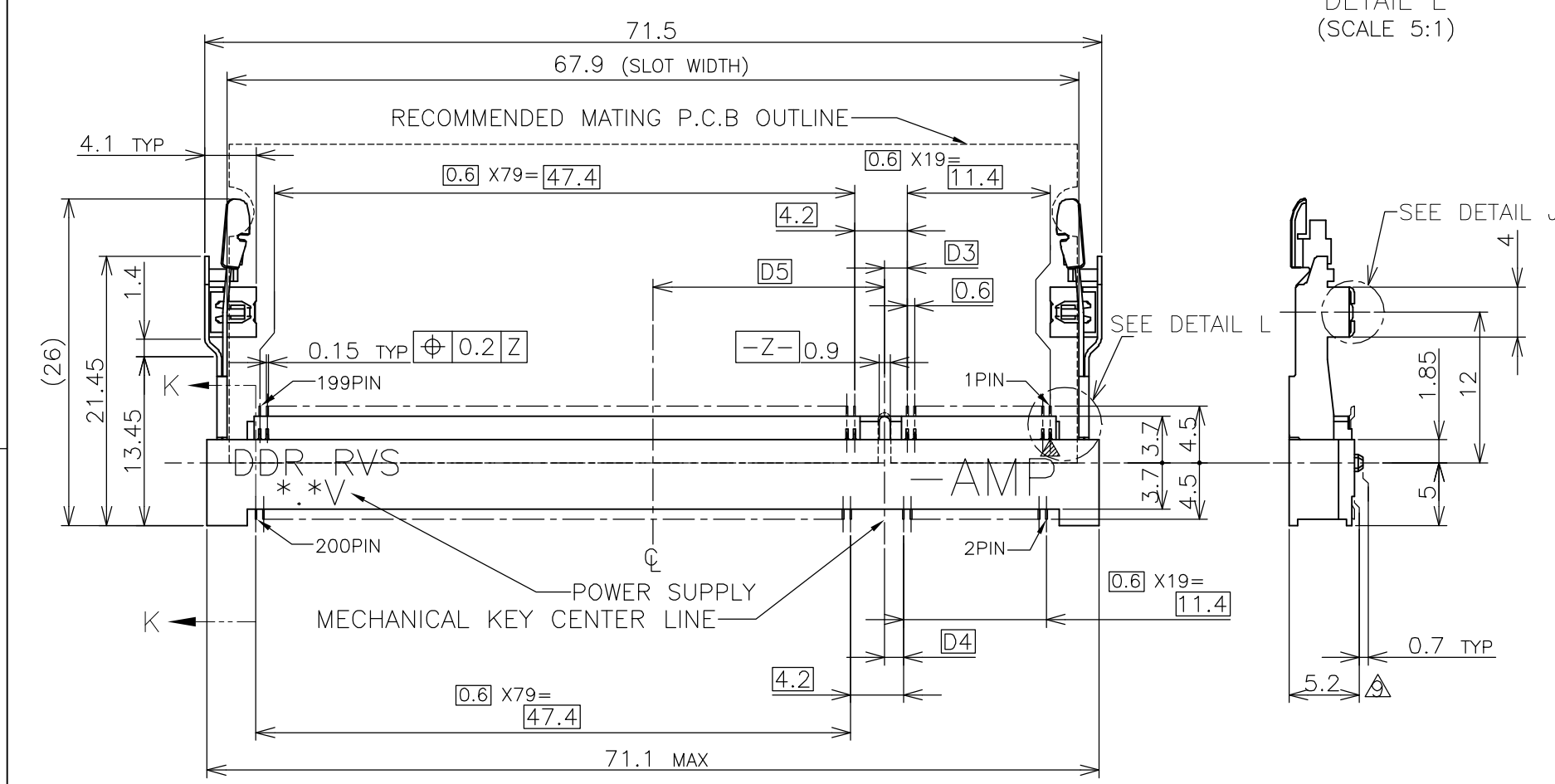
LOC	DIST	REVISIONS			
P	LTR	DESCRIPTION	DATE	DWN	APVD
J		REVISED (ECR-06-016172)	05JUL06	B.W	S.Y



HOW TO MATE AND UNMATE

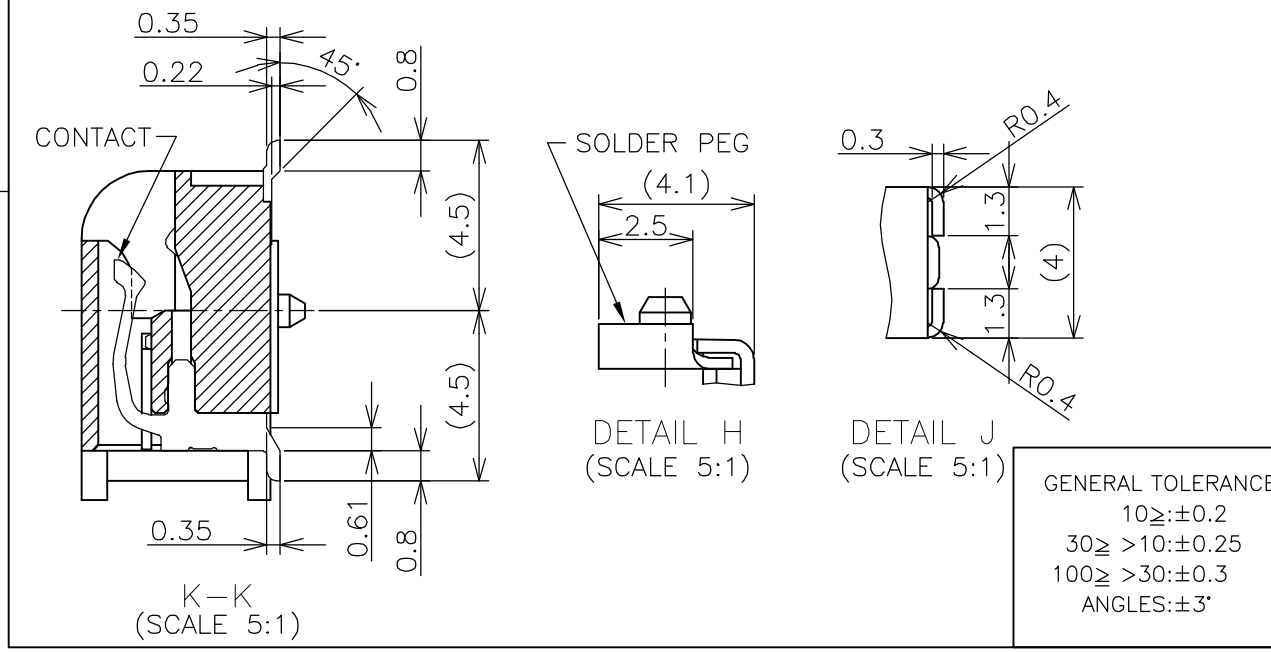


DETAIL L (SCALE 5:1)



(APPLIED TO SHEET 1-2)

- MATERIAL ; HOUSING: HIGH TEMPERATURE THERMO PLASTIC UL94V-0  
CONTACT: COPPER ARROY  
LOCK LEVER: STAINLESS STEEL  
SOLDER PEG: COPPER ARROY
  - FINISH ; CONTACT AREA: GOLD FLASH ON 0.0013MIN ALL OVER NICKEL.  
SOLDERING AREA: GOLD FLASH PLT.  
SOLDER PEG: TIN PLATING.
- MECHANICAL KEY POSITION OF CONNECTOR SEE TABLE.
  - TOLERANCES NON-CUMULATIVE.
  - NOT TO SCALE.
  - INSIDE MUST BE RESIST COAT EXCEPT SOLDER PATTERN.
  - COPLANARITY : 0.1 MAX.
  - THE FLOATING VALUE BY SOLDERING IS NOT INCLUDED.
  - NOT MATING CONDITION.
  - IF THE MODULE DOESN'T INSERT AND LOCK IN THE LATCH SMOOTHLY, OPEN WIDE BOTH LATCHES BY MANUAL. AND THE MODULE MUST BE INSERTED AND LOCKED IN THE LATCH.



GENERAL TOLERANCE  
 10 ≥ : ±0.2  
 30 ≥ > 10 : ±0.25  
 100 ≥ > 30 : ±0.3  
 ANGLES : ±3°

TYPE	AVAILABLE	BOSSLESS	POWER SUPPLY (TYPE)	D5	D4	D3	POS	PART NO.
TYPE 2	AVAILABLE	BOSSLESS	1.8V (DDR2)	17.55	2.4	2.7	200	1-1473006-4
TYPE 2	AVAILABLE	—H—	1.8V (DDR2)	17.55	2.4	2.7	200	1473006-4
TYPE 1	AVAILABLE	HOUSING COLOR:GRAY BOSSLESS	2.5V (DDR1)	18.45	1.5	1.8	200	6-1473006-1
TYPE 1	AVAILABLE	BOSSLESS	2.5V (DDR1)	18.45	1.5	1.8	200	1-1473006-1
TYPE 1	AVAILABLE	—H—	2.5V (DDR1)	18.45	1.5	1.8	200	1473006-1
TAB TYPE	TOOLING STATUS	REMARK	POWER SUPPLY (TYPE)	D5	D4	D3	POS	PART NO.

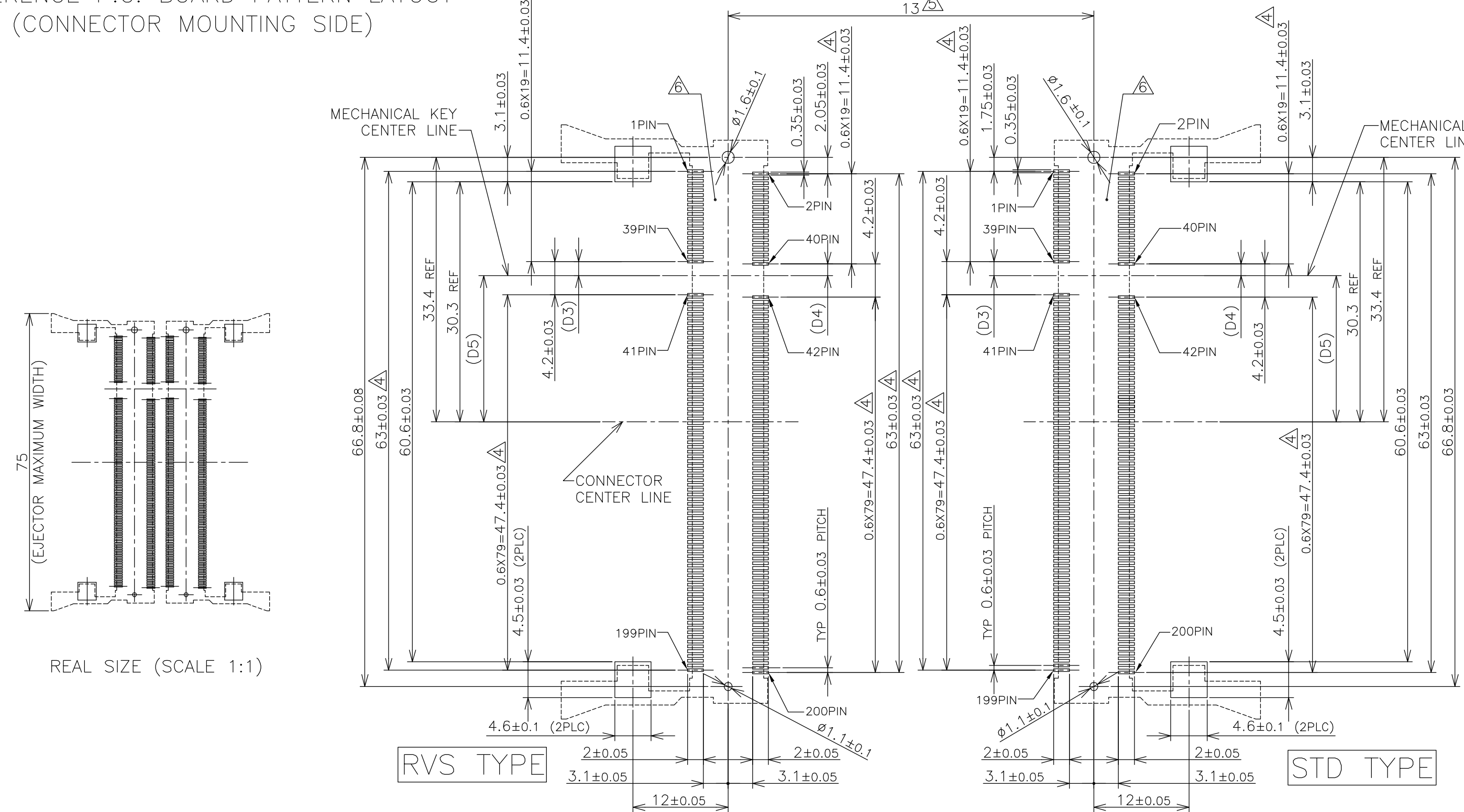
THIS DRAWING IS A CONTROLLED DOCUMENT.

DWN	T.FUMIKURA	18JAN02		Tyco Electronics AMP K.K.	
CHK	T.KUSUHARA	18JAN02		Kawasaki, Japan	
APVD	I.ENOMOTO	18JAN02		NAME	
PRODUCT SPEC			DDR1 & DDR2 SODIMM SOCKET		
APPLICATION SPEC			0.6mm PITCH 200POS		
108-5701			STANDARD PROFILE REVERSE TYPE		
SIZE	CAGE CODE	DRAWING NO	RESTRICTED TO		
A3	00779	C-1473006	—		
CUSTOMER DRAWING			SCALE	SHEET	REV
			2:1	1 OF 4	J

THIS DRAWING IS UNPUBLISHED. RELEASED FOR PUBLICATION NOV. 2001.  
 © COPYRIGHT 2001 BY TYCO ELECTRONICS CORPORATION. ALL RIGHTS RESERVED.

LOC	DIST	REVISIONS		
J		P	LTR	DESCRIPTION
				DATE
				DWN
				APVD
		SEE SHEET 1		

# REFERENCE P.C. BOARD PATTERN LAYOUT (CONNECTOR MOUNTING SIDE)

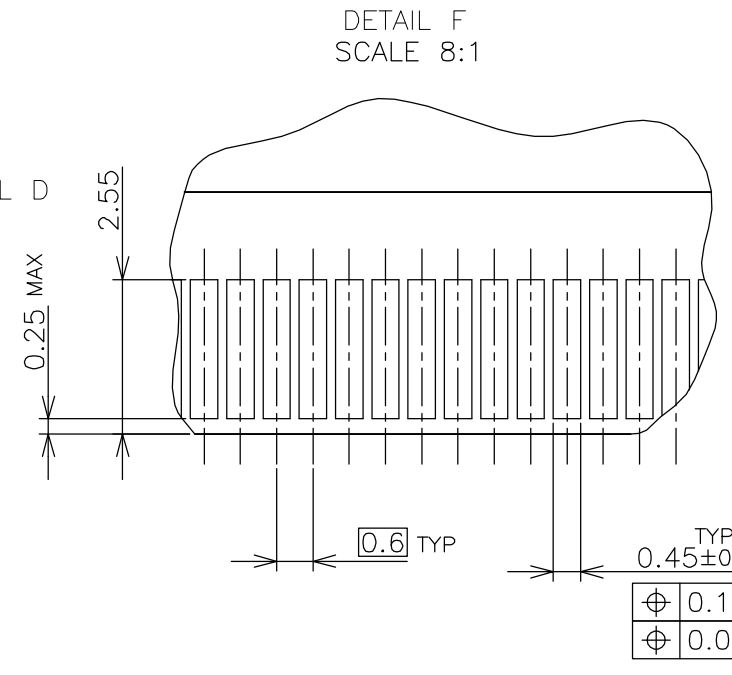
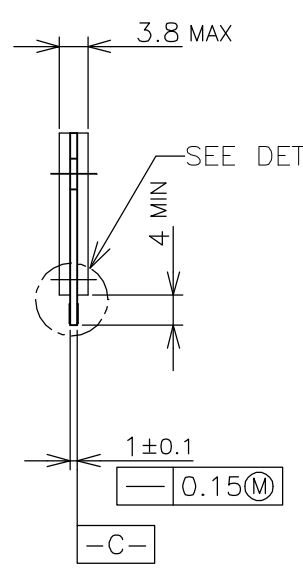
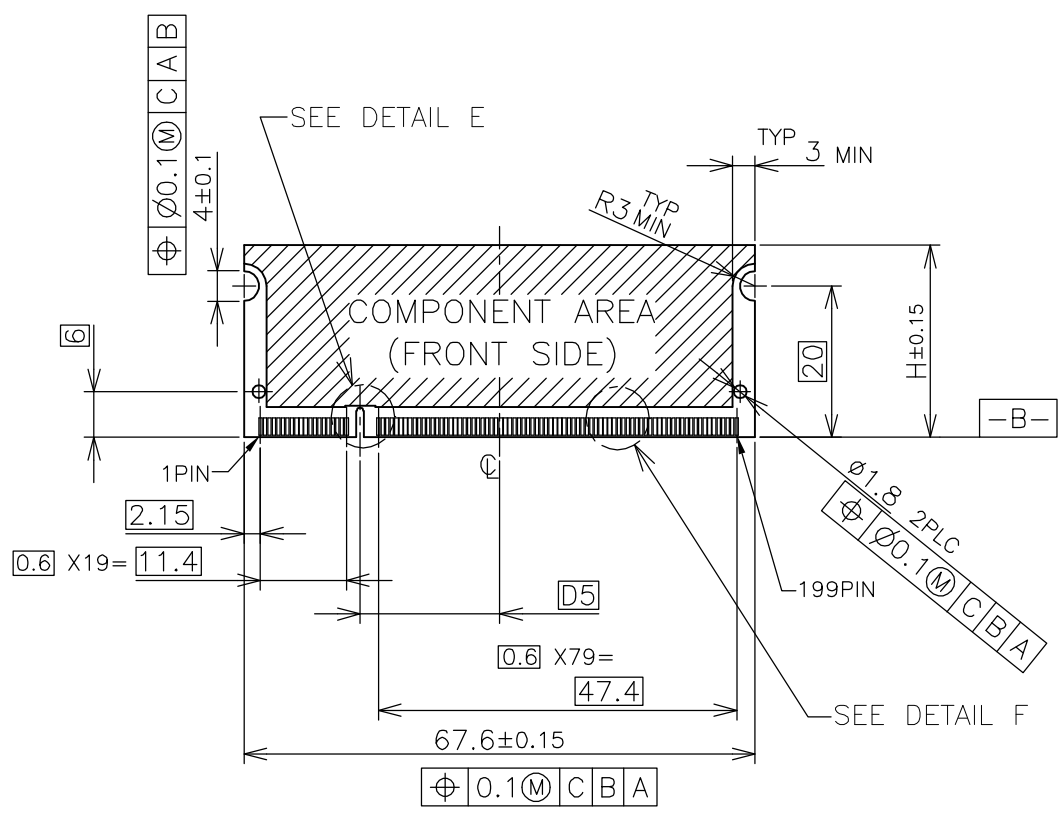


1.8V	17.55	2.4	2.7
2.5V	18.45	1.5	1.8
POWER SUPPLY	D5	D4	D3

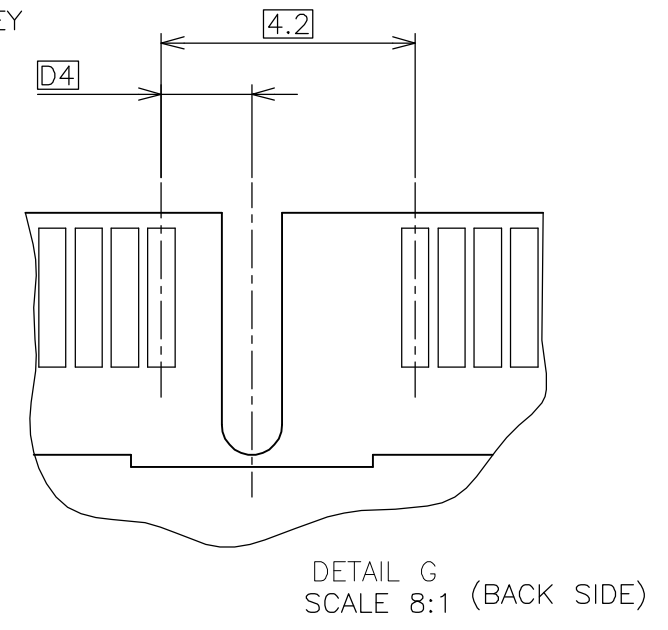
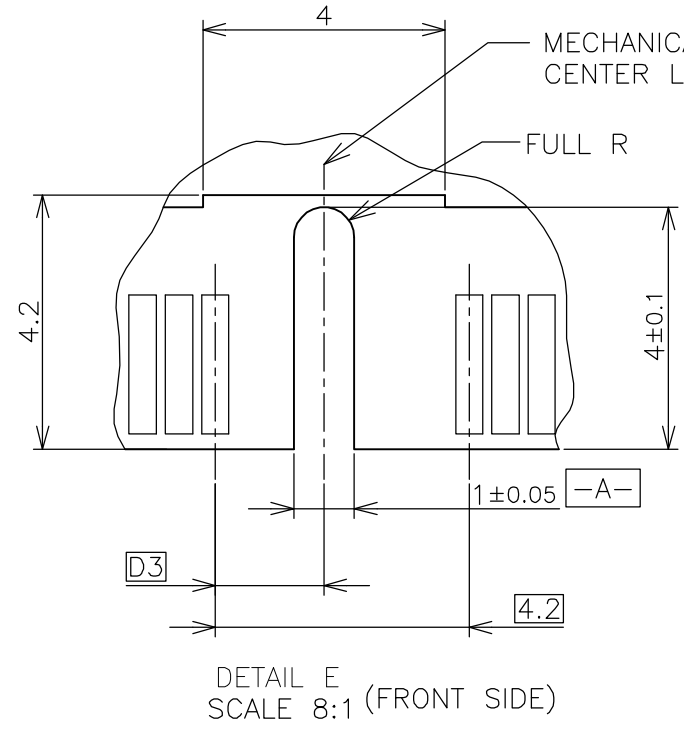
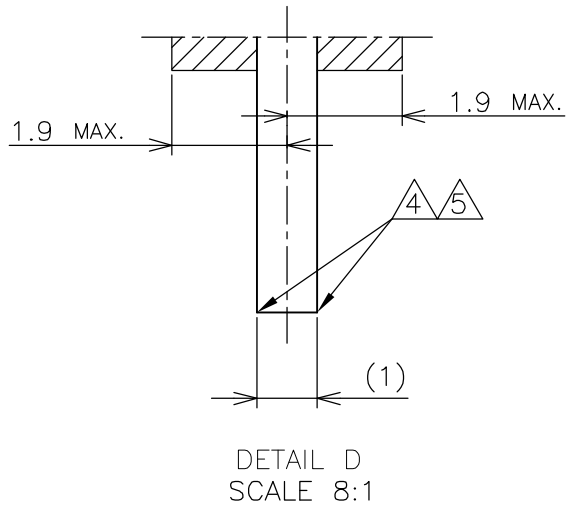
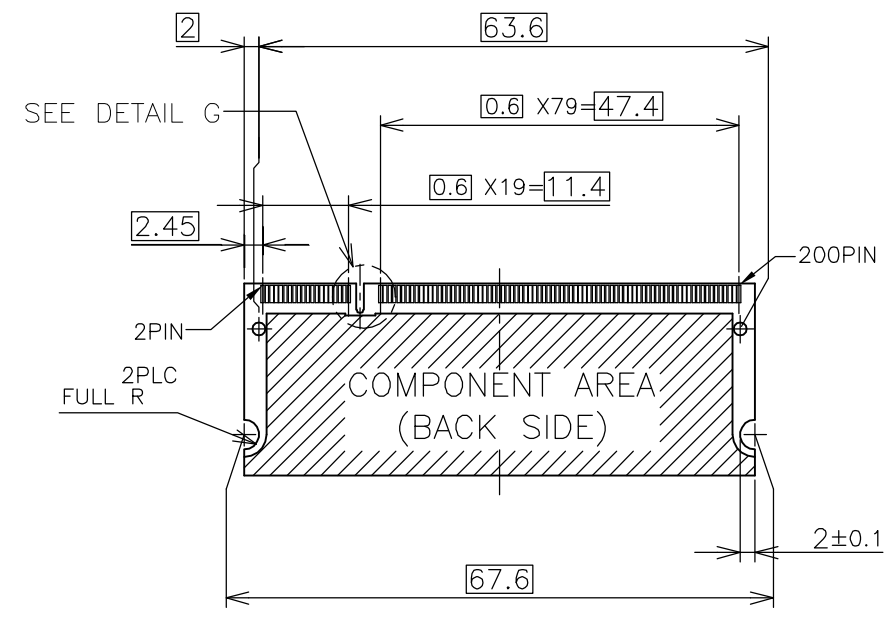
THIS DRAWING IS A CONTROLLED DOCUMENT.		DWN	Tyco Electronics AMP K.K. Kawasaki, Japan	
DIMENSIONS: MM		CHK		
TOLERANCES UNLESS OTHERWISE SPECIFIED:		APVD	NAME	
0 PLC ± 1 PLC ± 2 PLC ± 3 PLC ± 4 PLC ± ANGLES ± MATERIAL FINISH ±		PRODUCT SPEC	DDR1 & DDR2 SODIMM SOCKET 0.6mm PITCH 200POS STANDARD PROFILE REVERSE TYPE	
		APPLICATION SPEC	SIZE	CAGE CODE
		WEIGHT	DRAWING NO	
		CUSTOMER DRAWING	RESTRICTED TO	
		SCALE	SHEET	
		2:1	2 OF 4	
			REV	
			J	

THIS DRAWING IS UNPUBLISHED. RELEASED FOR PUBLICATION NOV. 2001.  
 © COPYRIGHT 2001 BY TYCO ELECTRONICS CORPORATION. ALL RIGHTS RESERVED.

LOC	DIST	REVISIONS			
P	LTR	DESCRIPTION	DATE	DWN	APVD
J		SEE SHEET 1	-	-	-



- (APPLIED TO SHEET 3)
1. TOLERANCES ON ALL DIMENSIONS ±0.15 UNLESS OTHERWISE SPECIFIED.
  2. P.C. BOARD THICKNESS APPLIES ACROSS TABS AND INCLUDES PLATING AND/OR METALIZATION.
  3. FINISH OF PAD : GOLD PLATING 0.00076 MIN. OVER Ni PLATING 0.002MIN.
- △ NO BURR
- △ CHAMFER 0.25 MAX x 45° IF EXIST.

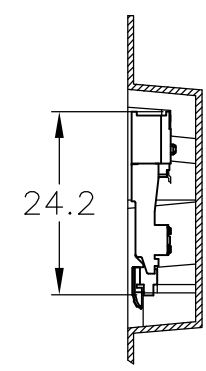
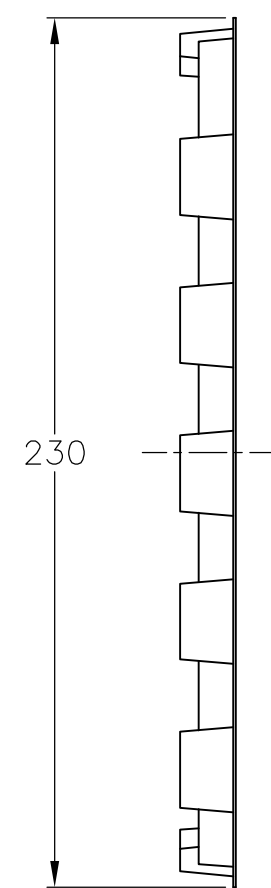
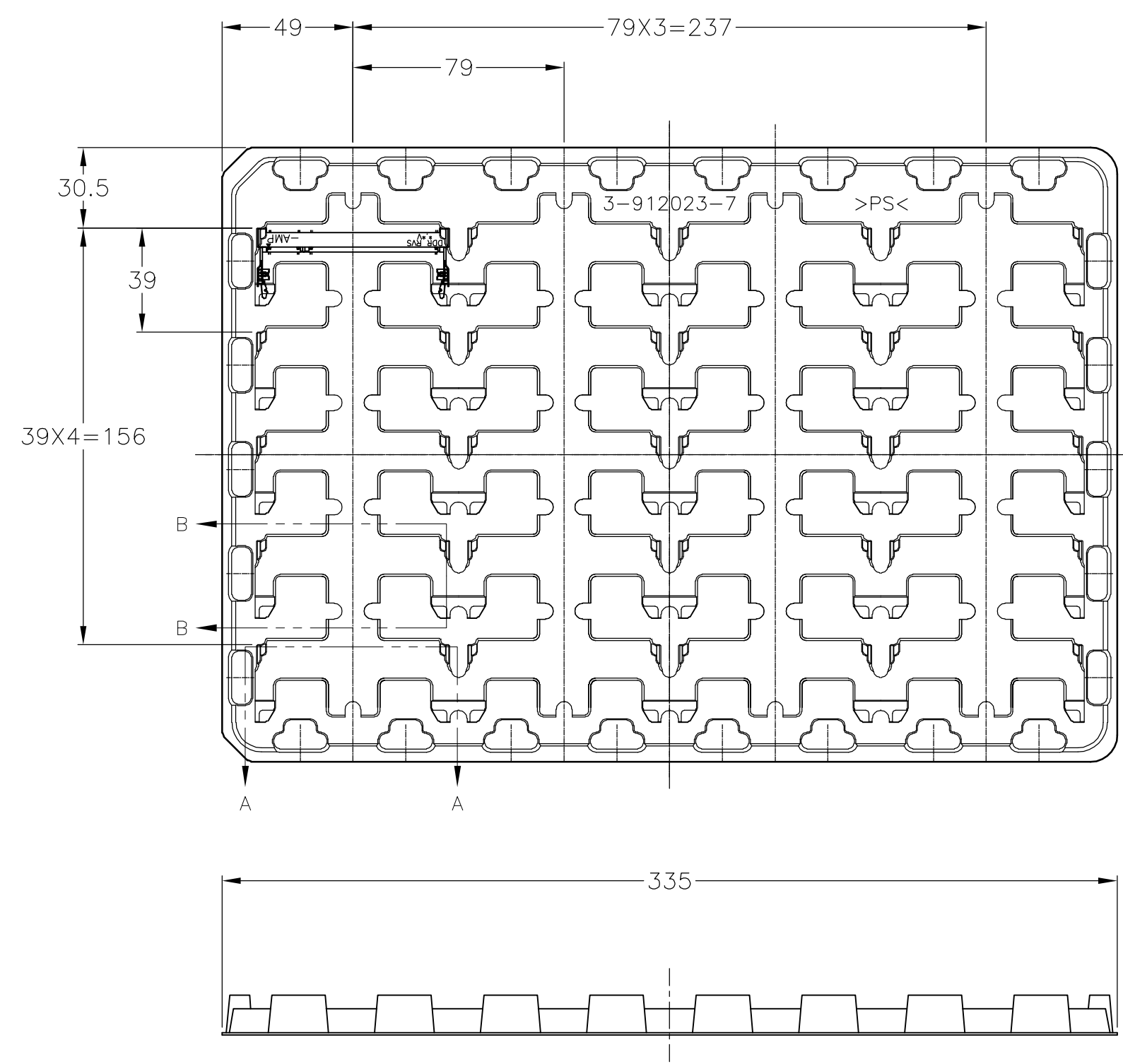


RECOMMENDED MATING P.C.B CONFIGURATION

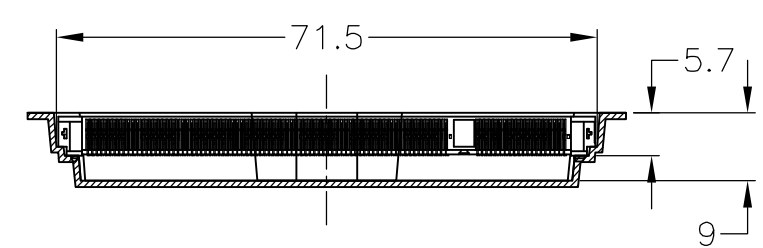
THIS DRAWING IS A CONTROLLED DOCUMENT.		DWN	Tyco Electronics AMP K.K. Kawasaki, Japan			
DIMENSIONS: MM		CHK				
TOLERANCES UNLESS OTHERWISE SPECIFIED:		APVD	NAME			
0 PLC ±		PRODUCT SPEC	DDR1 & DDR2 SODIMM SOCKET			
1 PLC ±		APPLICATION SPEC	0.6mm PITCH 200POS			
2 PLC ±		WEIGHT	STANDARD PROFILE REVERSE TYPE			
3 PLC ±		CUSTOMER DRAWING	SIZE	CAGE CODE	DRAWING NO	RESTRICTED TO
4 PLC ±			A3	00779	C-1473006	-
ANGLES ±		SCALE	SHEET		OF	REV
FINISH		2:1	3		OF	4

THIS DRAWING IS UNPUBLISHED. RELEASED FOR PUBLICATION NOV ,2001.  
 © COPYRIGHT 2001 BY TYCO ELECTRONICS CORPORATION. ALL RIGHTS RESERVED.

LOC	DIST	REVISIONS					
		P	LTR	DESCRIPTION	DATE	DWN	APVD
J		-	-	SEE SHEET 1	-	-	-



B-B  
SCALE 2:1



A-A  
SCALE 2:1  
(180DEG. ROTATE)

1.8V (DDR2)	20EA/TRAY	1-1473006-4
1.8V (DDR2)	20EA/TRAY	1473006-4
2.5V (DDR1)	20EA/TRAY	6-1473006-1
2.5V (DDR1)	20EA/TRAY	1-1473006-1
2.5V (DDR1)	20EA/TRAY	1473006-1
POWER SUPPLY (TYPE)	QTY	P/N

- (APPLIED TO SHEET 4)
1. THE DIRECTION OF EACH CONNECTOR ON A TRAY IS REFERRED TO THIS DRAWING.
  2. GENERAL TOLERANCE: ±0.5

THIS DRAWING IS A CONTROLLED DOCUMENT.		DWN	Tyco Electronics AMP K.K. Kawasaki, Japan			
DIMENSIONS: MM		CHK				
TOLERANCES UNLESS OTHERWISE SPECIFIED:		APVD	NAME			
0 PLC ±		PRODUCT SPEC	DDR1 & DDR2 SODIMM SOCKET			
1 PLC ±		APPLICATION SPEC	0.6mm PITCH 200POS			
2 PLC ±		WEIGHT	STANDARD PROFILE REVERSE TYPE			
3 PLC ±		CUSTOMER DRAWING	SIZE	CAGE CODE	DRAWING NO	RESTRICTED TO
4 PLC ±			A3	00779	C-1473006	-
ANGLES ±		SCALE	SHEET		OF	REV
FINISH ±		1:2	4		4	J