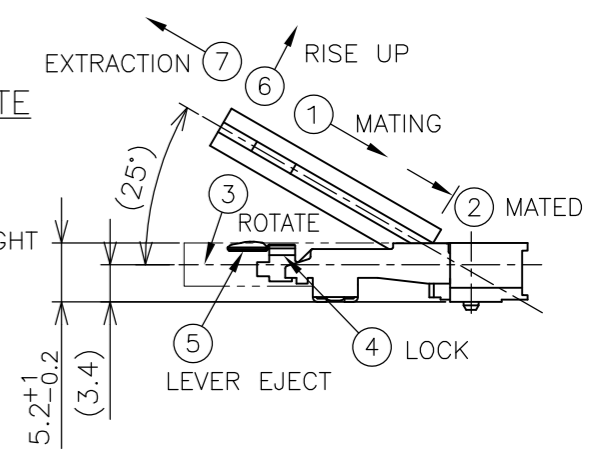
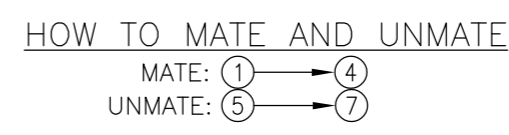
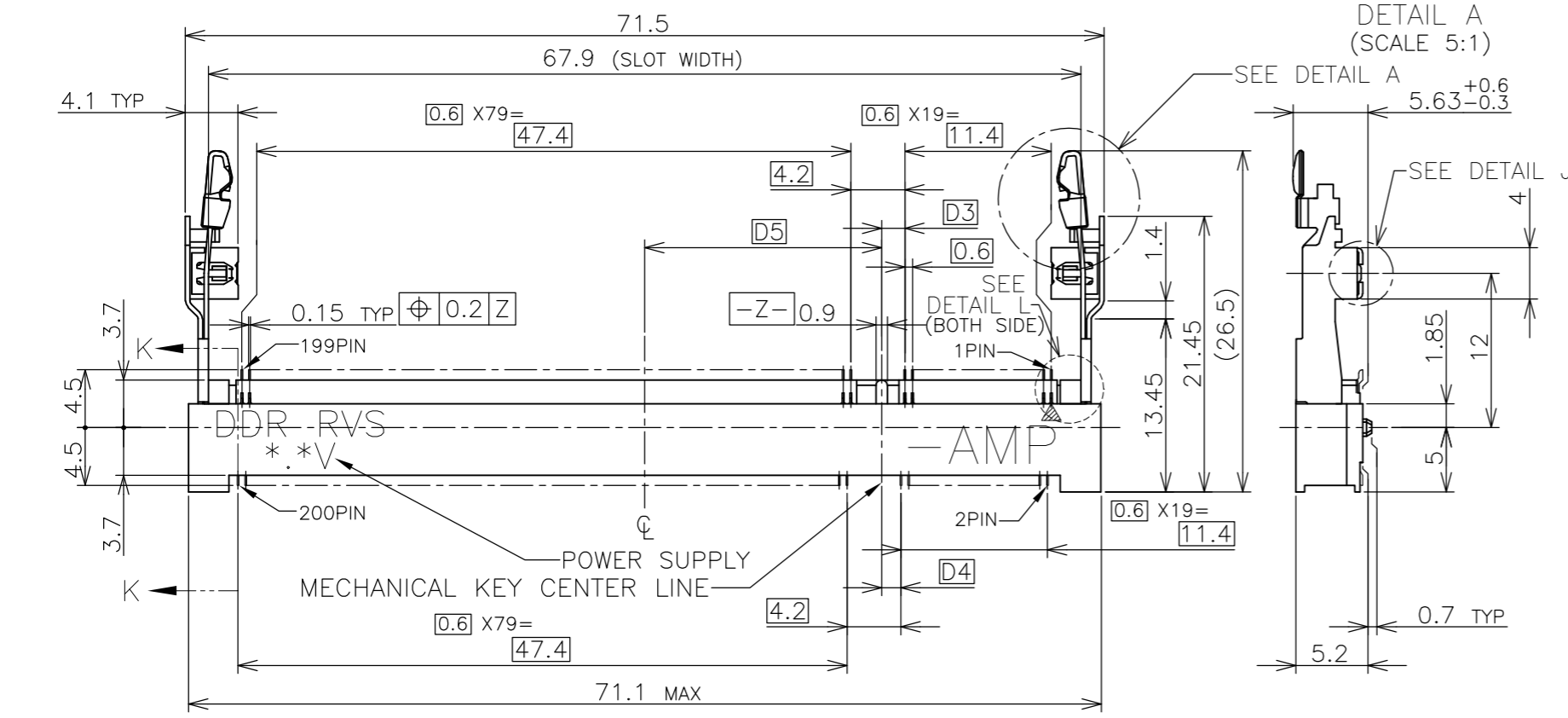
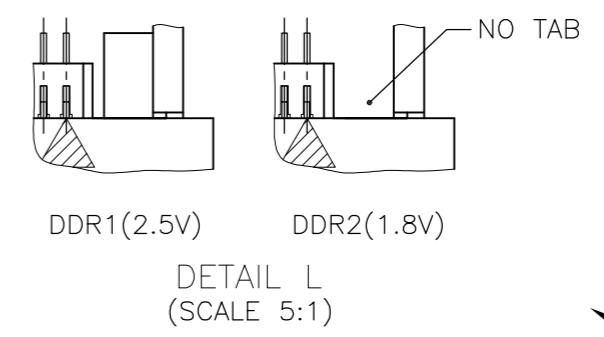
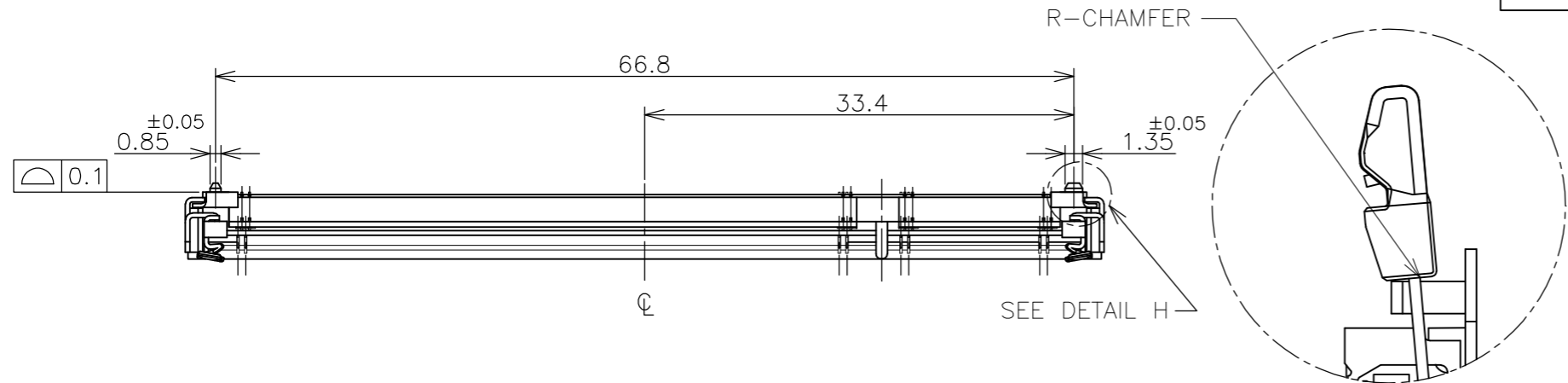
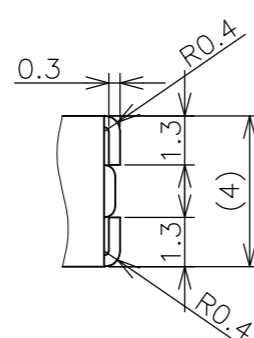
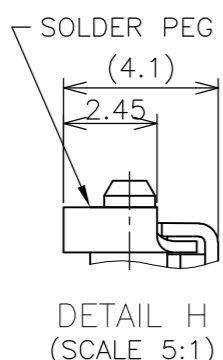
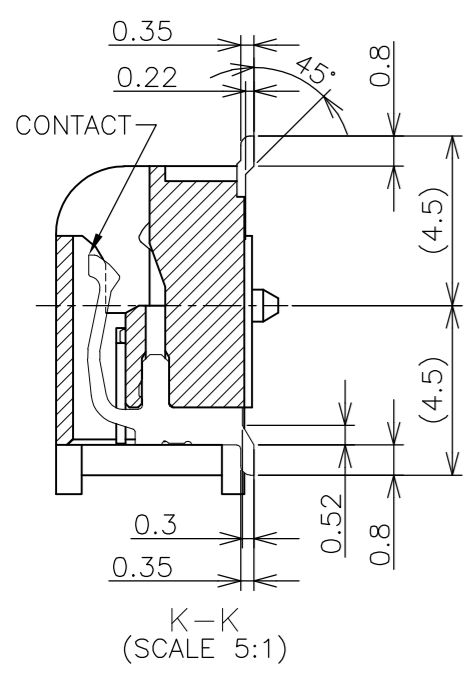


THIS DRAWING IS UNPUBLISHED. RELEASED FOR PUBLICATION OCT., 2001.
 © COPYRIGHT 2001 BY TYCO ELECTRONICS CORPORATION. ALL RIGHTS RESERVED.

LOC	DIST	REVISIONS				
P	LTR	DESCRIPTION	DATE	DWN	APVD	
ES	/	M	REVISED (ECR-07-015678)	4JUL07	L.Z	S.Y



- (APPLIED TO SHEET 1-2)
- MATERIAL ; HOUSING: HIGH TEMPERATURE THERMO PLASTIC UL94V-0
CONTACT: COPPER ARROY
LOCK LEVER STAINLESS STEEL
SOLDER PEG: COPPER ARROY
 - FINISH ; CONTACT AREA: GOLD FLASH ON 0.0013MIN ALL OVER NICKEL.
SOLDERING AREA: GOLD FLASH PLT.
SOLDER PEG: TIN PLATING.
 - MECHANICAL KEY POSITION OF CONNECTOR SEE TABLE.
 - TOLERANCES NON-CUMULATIVE.
 - NOT TO SCALE.
 - INSIDE MUST BE RESIST COAT EXCEPT SOLDER PATTERN.
 - IF THE MODULE DOESN'T INSERT AND LOCK IN THE LATCH SMOOTHLY, OPEN WIDE BOTH LATCHES BY MANUAL. AND THE MODULE MUST BE INSERTED AND LOCKED IN THE LATCH.
 - FINISH ; CONTACT AREA: 0.00076 GOLD ON 0.0013MIN ALL OVER NICKEL.
SOLDERING AREA: GOLD FLASH PLT.
SOLDER PEG: TIN PLATING.

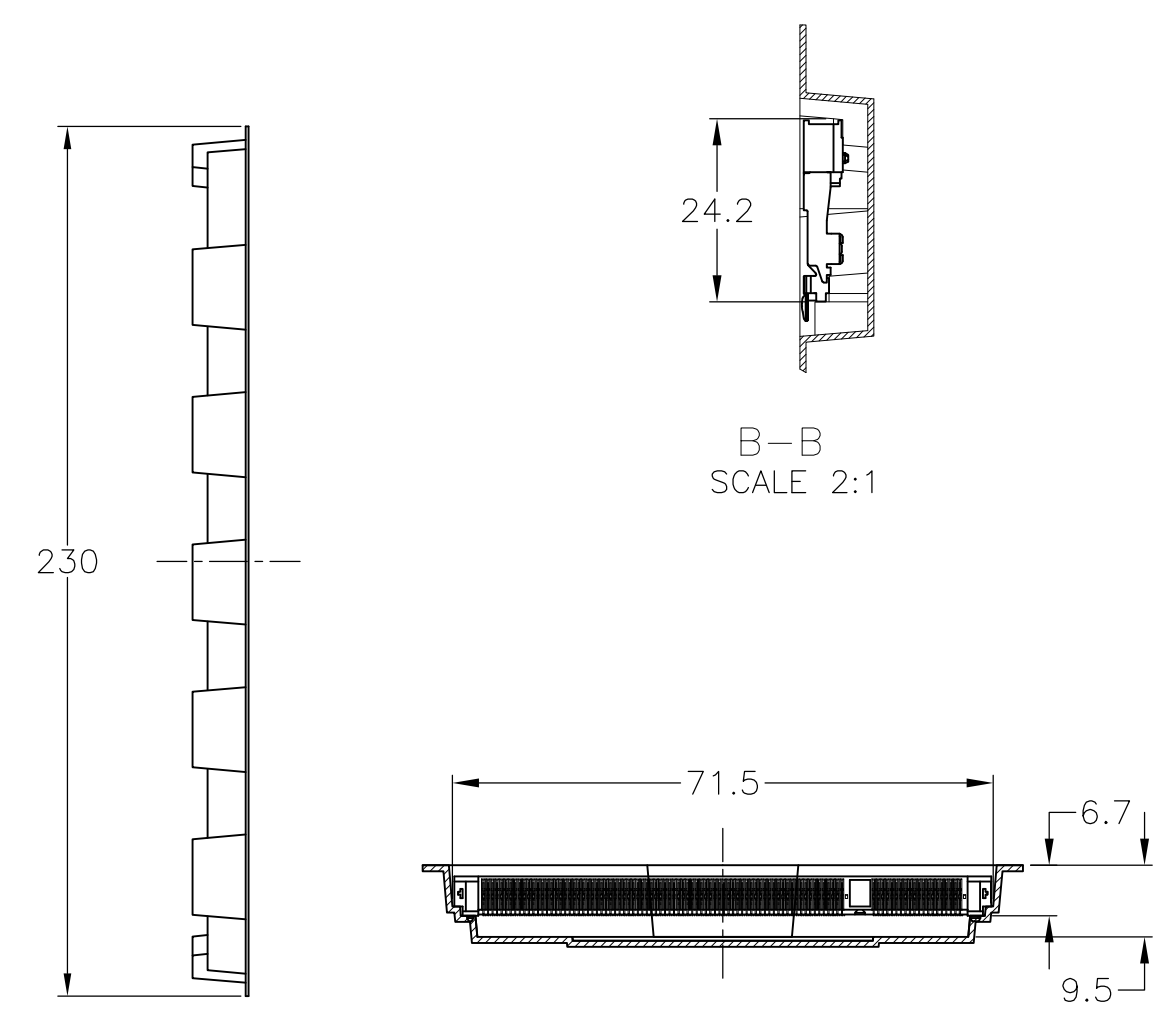
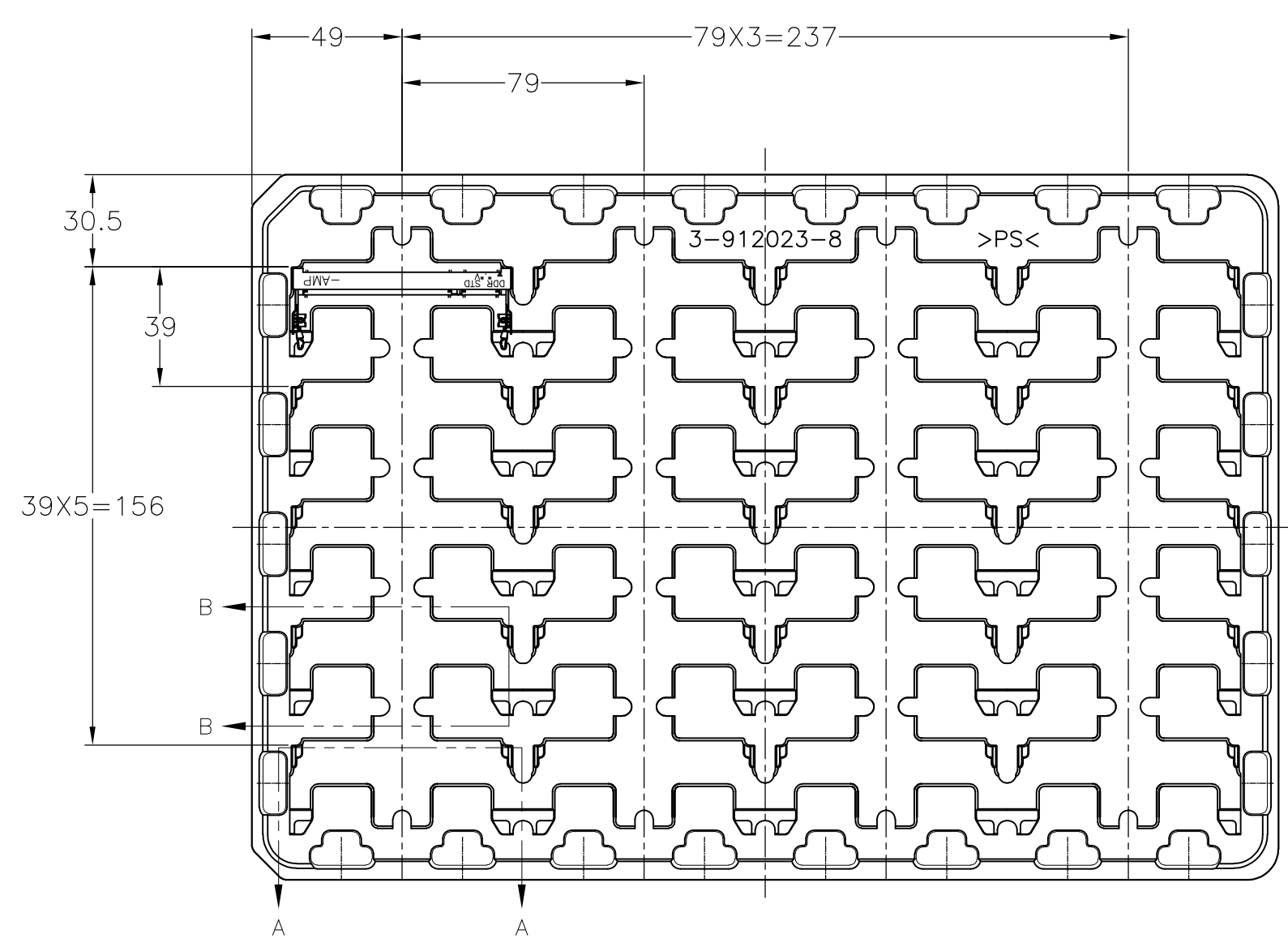


GENERAL TOLERANCE
 10 ≥ ±0.2
 30 ≥ >10: ±0.25
 100 ≥ >30: ±0.3
 ANGLES: ±3°

△	AVAILABLE	1.8V (DDR2)	17.55	2.4	2.7	200	1473150-6
△	AVAILABLE	1.8V (DDR2)	17.55	2.4	2.7	200	1-1473150-4
△	AVAILABLE	1.8V (DDR2)	17.55	2.4	2.7	200	1473150-4
△	AVAILABLE	2.5V (DDR1)	18.45	1.5	1.8	200	1473150-1
FINISH	TOOLING STATUS	POWER SUPPLY	D5	D4	D3	POS	PART NO.
THIS DRAWING IS A CONTROLLED DOCUMENT.			DWN	16JAN02		Tyco Electronics Corporation	
			CHK	16JAN02		SH/CN GuiPingRD 668#	
			APVD	17JAN02		NAME	
			PRODUCT SPEC		DDR1 & DDR2 SODIMM SOCKET		
			APPLICATION SPEC		0.6mm PITCH 200POS		
			WEIGHT		STANDARD PROFILE REVERSE TYPE (NEW LATCH TYPE)		
			CUSTOMER DRAWING		SIZE	CAGE CODE	DRAWING NO
			SCALE		SHEET		REV
			2:1		1 OF 4		M

THIS DRAWING IS UNPUBLISHED. RELEASED FOR PUBLICATION OCT , 2001.
 © COPYRIGHT 2001 BY TYCO ELECTRONICS CORPORATION. ALL RIGHTS RESERVED.

LOC	DIST	REVISIONS				
P	LTR	DESCRIPTION	DATE	DWN	APVD	
ES		SEE SHEET 1	-	-	-	



B-B
SCALE 2:1

A-A
SCALE 2:1
(180DEG. ROTATE)

REMARK	QTY	P/N
DDR2	20EA/TRAY	1473150-6
DDR2	20EA/TRAY	1-1473150-4
DDR2	20EA/TRAY	1473150-4
DDR1	20EA/TRAY	1473150-1

- (APPLIED TO SHEET 4)
1. THE DIRECTION OF EACH CONNECTOR ON A TRAY IS REFERRED TO THIS DRAWING.
 2. GENERAL TOLERANCE: ±0.5

THIS DRAWING IS A CONTROLLED DOCUMENT.		DWN	Tyco Electronics Corporation SH/CN GuiPingRD 668#		
DIMENSIONS: MM		CHK	NAME		
TOLERANCES UNLESS OTHERWISE SPECIFIED:		APVD	DDR1 & DDR2 SODIMM SOCKET 0.6mm PITCH 200POS STANDARD PROFILE REVERSE TYPE (NEW LATCH TYPE)		
0 PLC ±		PRODUCT SPEC	SIZE	CAGE CODE	DRAWING NO
1 PLC ±		APPLICATION SPEC	A3	00779	C-1473150
2 PLC ±		WEIGHT	RESTRICTED TO		
3 PLC ±		CUSTOMER DRAWING	SCALE 1:2 SHEET 4 OF 4 REV M		
4 PLC ±					
ANGLES ±					
FINISH					