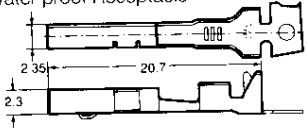
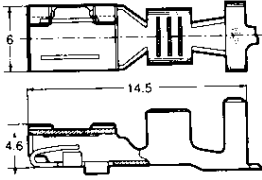
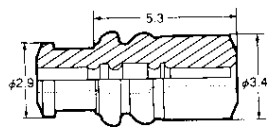
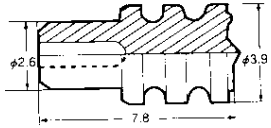


# .060/.187 Slide Cam Connectors

## Contact

Contact	Wire Range	Wire Ins. Diameter	Material/Finish	Part No. S.T.
 <p>Crimp Specifications : 114-5216</p>	0.3-0.5mm <sup>2</sup> (AWG#22-20)	Ø1.4-1.7mm	Copper Alloy/Pre-tin	<b>900293-1</b>
 <p>Crimp Specifications : 114-5126</p>	0.5-1.25mm <sup>2</sup> (AWG#20-16)	Ø2.0-2.6mm	Brass/Pre-tin	<b>175090-1</b>
	2-3mm <sup>2</sup> (AWG#14-12)	Ø2.9-3.6mm	Brass/Pre-tin	<b>175091-1</b>

## Rubber Plug and Cavity Plug

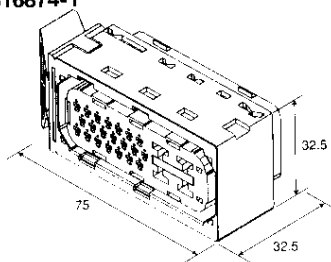
Description	Style	Wire Ins. Diameter	Material/Color	Part No.
Rubber Plug (For .060 contact.)		Ø1.4-1.7mm	Silicon rubber/Gray	<b>316867-1</b>
Cavity Plug (For cavity of .060 contact.)		—	Silicon rubber/Red Brown	<b>1473234-1</b>

\*The rubber plug for .187 contact is not available from AMP. Please make an inquiry for more information.

## Plug

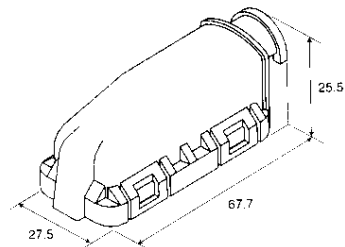
## Wire Cover

Part Number : 316874-1

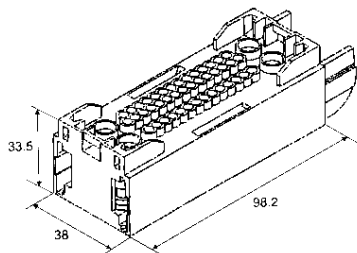


**25**  
Pos.

Part Number : 316873-2

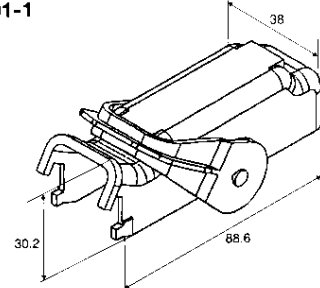


Part Number : 1376600-1



**47**  
Pos.

Part Number : 1376601-1



\*The lever is assembled.