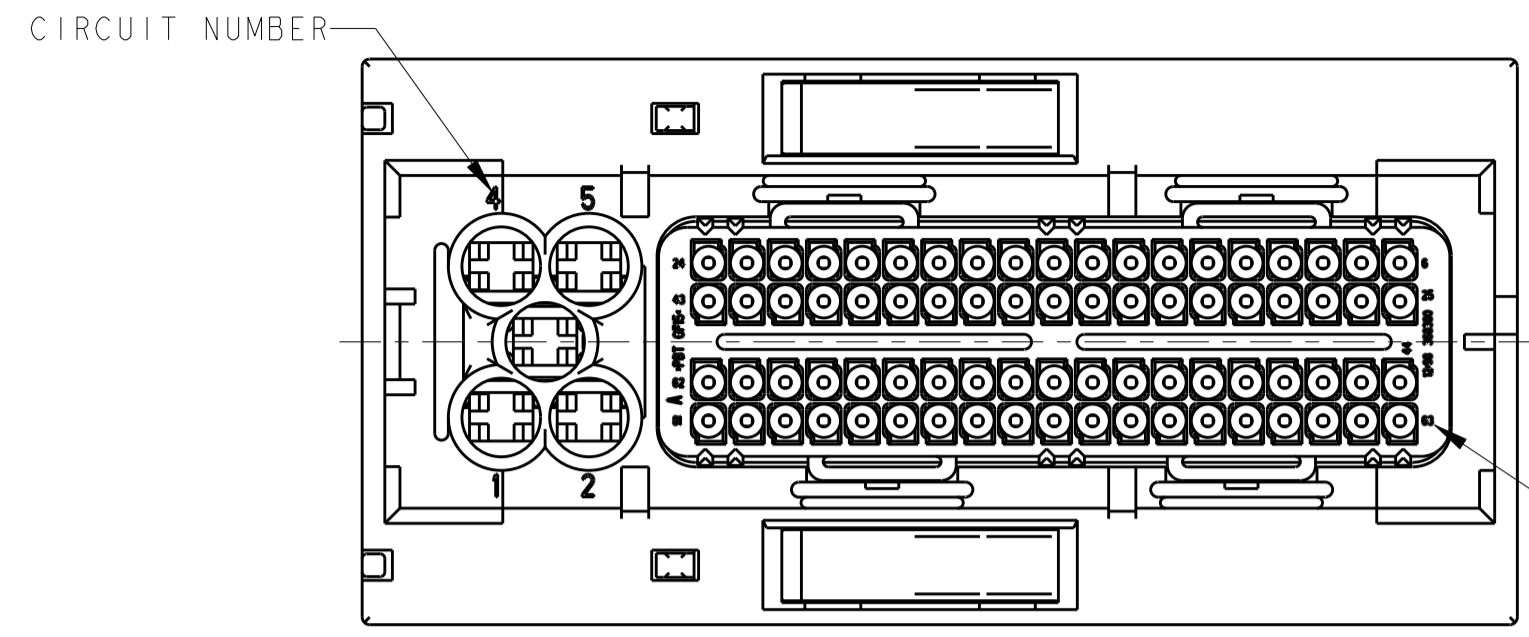
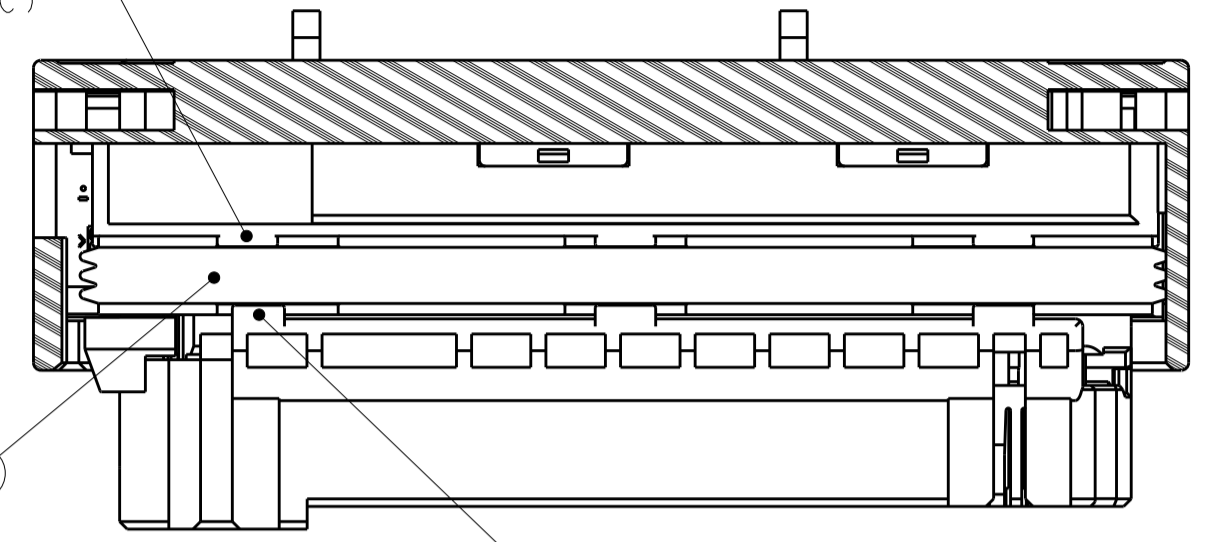


THIS DRAWING IS UNPUBLISHED. RELEASED FOR PUBLICATION 20  
 © COPYRIGHT 20 ALL RIGHTS RESERVED.

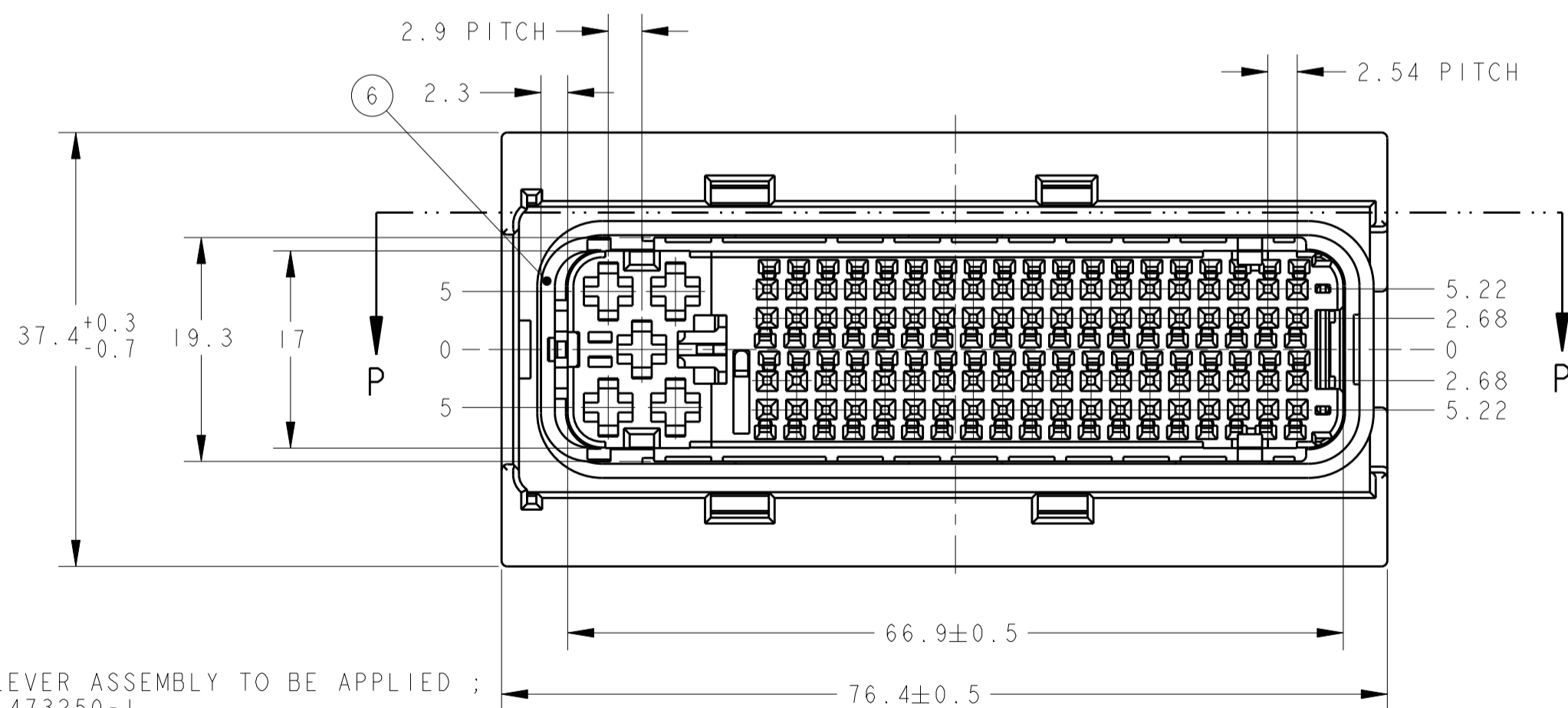
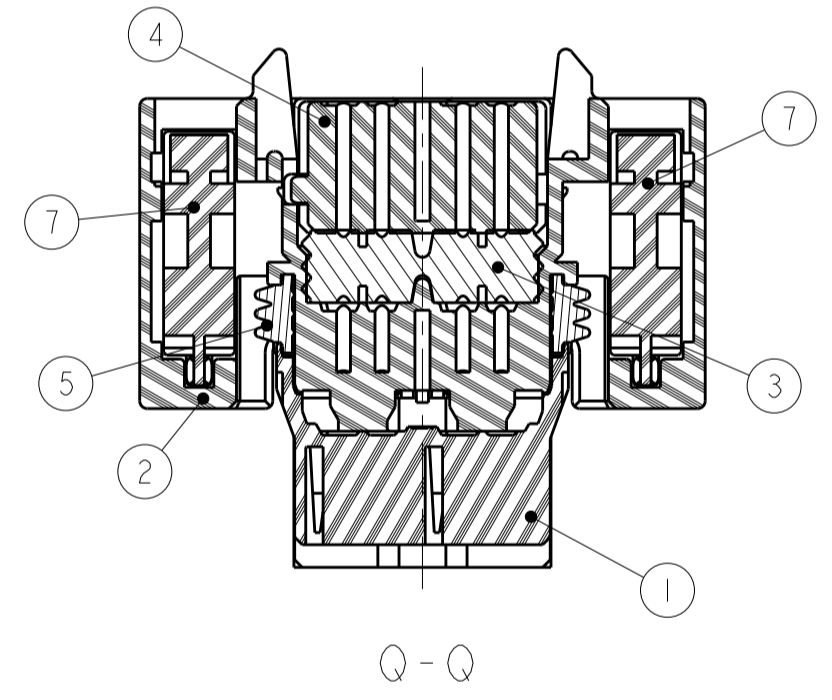
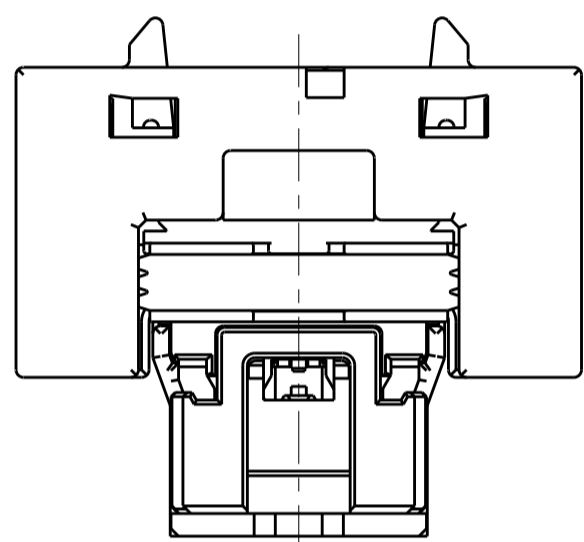
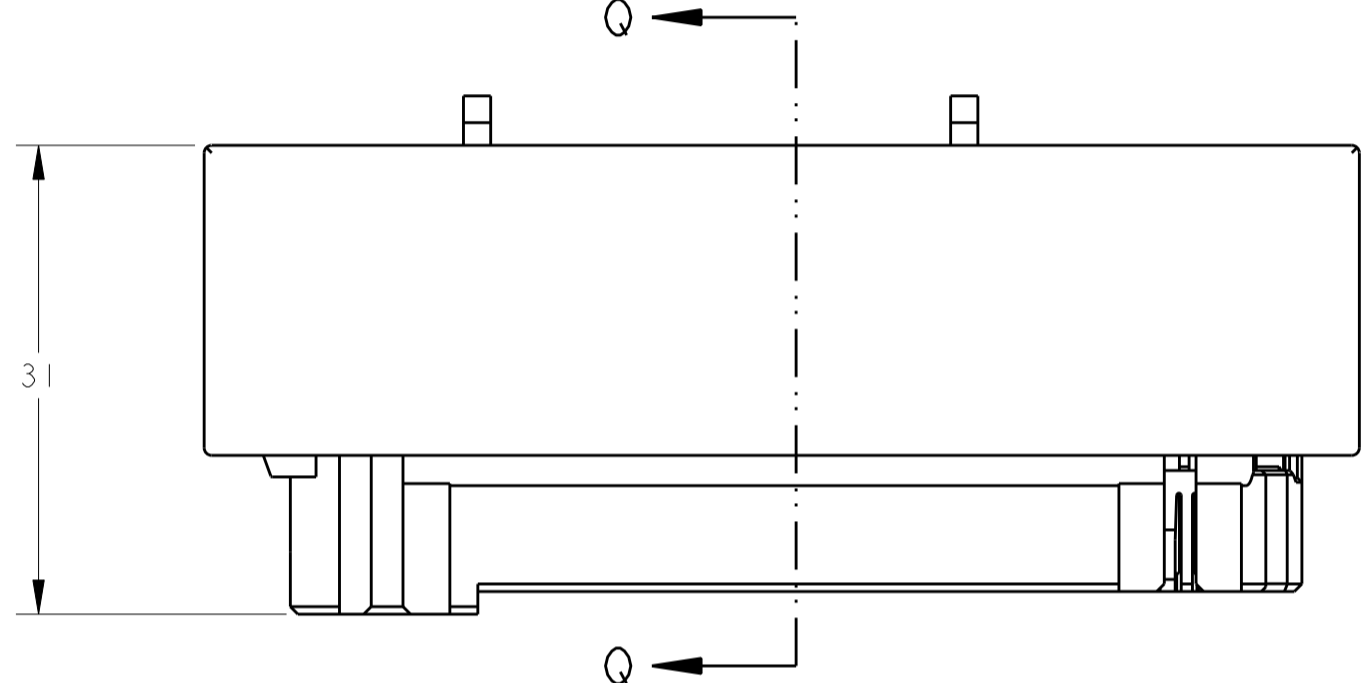
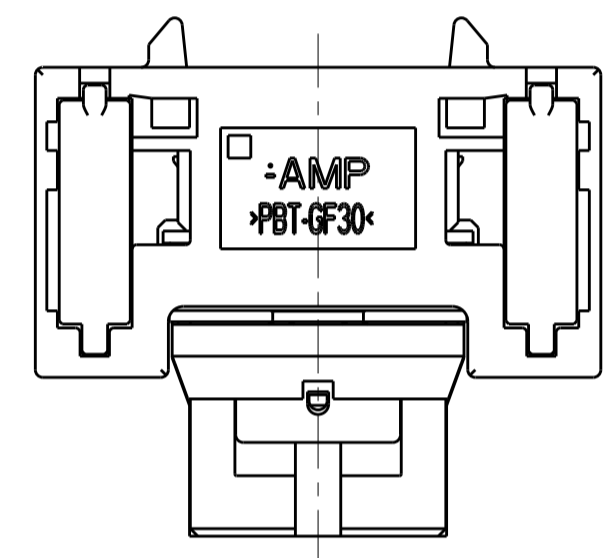
REVISIONS						
LOC	DIST	P	LTR	DESCRIPTION	ECN	DATE
J	-	A	RELEASED			23JUN08
		AI	REVISED		ECR-16-002218	15FEB2016



BOSS OF MAIN CAVITY BLOCK.  
IT HOLD A PERIPHERAL SEAL.  
(8PLC)



BOSS OF FRONT CAVITY BLOCK.  
IT HOLD A PERIPHERAL SEAL.  
(6PLC)



- PART NUMBER OF LEVER ASSEMBLY TO BE APPLIED ; P/N 1473247-1, 1473250-1
- PART NUMBER OF MQS RETAINER TO BE APPLIED ; P/N 368382-1
- APPLIED TERMINAL ; SEE TABLE-1
- PART NUMBER OF CAP HOUSING TO BE MATED ; P/N 1241434-2
- INSTRUCTION SHEET NO ; 411-78008

- 適用レバーアセンブリ型番は、P/N 1473247-1, 1473250-1
- 適用MQSリテーナ型番は、P/N 368382-1
- 適用端子はTABLE-1参照
- 嵌合相手型番は、P/N 1241434-2
- 取扱説明書 NO ; 411-78008

TABLE-1

CONTACT	MQS		JPT		
PART NUMBER	968220-1	968221-1	964282-2	964286-2	964273-2
WIRE SIZE (mm <sup>2</sup> )	0.2~0.5	0.75	0.2~0.5	0.5~1.0	>1.0~2.5

NO	MATERIAL	PART NAME	FINISH/COLOR	NO
2	PA66	SLIDER	BLACK	7
1	PBT	JPT RETAINER	YELLOW	6
1	SILICONE	PERIPHERAL SEAL	ORANGE	5
1	PBT	SEAL RETAINER	BLACK	4
1	SILICONE	76POS FAMILY SEAL	ORANGE	3
1	PBT	MAIN CAVITY BLOCK	BLACK	2
1	PA66	FRONT CAVITY BLOCK	RED	1
-3	MATERIAL	PART NAME	FINISH/COLOR	NO

THIS DRAWING IS A CONTROLLED DOCUMENT.

DIMENSIONS: 単位: 概 mm

TOLERANCES UNLESS OTHERWISE SPECIFIED: 一般公差 = ±0.3

0-PLC ±

1-PLC ±0.5

2-PLC ±0.13

3-PLC ±0.013

4-PLC ±0.0001

ANGLES ±3°00'

FINISH 仕上

SEE TABLE

SEE TABLE

DWN T. SHINOHARA 23JUN08

CHK K. BETSUI 23JUN08

APVD K. BETSUI 23JUN08

PRODUCT SPEC 108-5793

APPLICATION SPEC 114-18021, 114-18050

WEIGHT 46.5g

CUSTOMER DRAWING

SCALE 2:1

SHEET 1 OF 1

REV A1

RESTRICTED TO

NAME 名称 PLUG HOUSING ASSY SEALED 81POS. PLUG HSG MQS CLEAN BODY/JPT

SIZE A2

CAGE CODE

DRAWING NO 1473244-3

STE TE Connectivity