



Have a Question?
Chat with a Product Information Specialist

What can we help you find?

[Products](#) [Industries](#) [Resources](#) [About TE](#) [My Account](#) [Innovation](#) [Support Center](#)

1-480277-0 Product Details

[Share](#) [Print](#) [Email](#)



1-480277-0

TE Internal Number: 1-480277-0

Active

[View 3D PDF](#)

.200" Centerline, 250 V, 13 A max.

Always EU RoHS/ELV Compliant (Statement of Compliance)

Product Highlights:

- Commercial MATE-N-LOK Product Line
- Wire-to-Wire
- Applies To Wire/Cable
- Connector
- Housing

[View all Features](#)

Quick Links

- ▶ Pricing & Availability
- ▶ Search for Tooling
- ▶ View Mating Products (4)
- ▶ View Contacts (139)
- ▶ Product Feature Selector
- ▶ Contact Us About This Product

[Add to My Part List](#) [Request Sample](#) [Find Similar Products](#) [Buy Product](#)

Documentation & Additional Information

Product Drawings:

- CAP, 9 CIRCUIT MATE-N-LOK (PDF, English)

Catalog Pages/Data Sheets:

- SOFT_SHELL_PIN_SOCKET_CONNECTORS_STANDARD_DENSITY (PDF, English)

Product Specifications:

- MATE-N-LOK Commercial Connector (PDF, English)

Application Specifications:

- Commercial MATE-N-LOK Pin And Socket Contacts (PDF, English)
- MATE-N-LOK Commercial Pin and Socket Contacts (PDF, Japanese)

Instruction Sheets:

- MATE-N-LOK PANEL-MOUNT CONNECTORS (PDF, English)
- Commoning Tabs 60843-1, 60842-1, 350444-1, and 35044... (PDF, English)
- Universal, Commercial, and .140 MATE-N-LOK Contact ... (PDF, English)

CAD Files: (CAD Format & Compression Information)

- 2D Drawing (DXF, Version AK)
- 3D Model (IGES, Version AK)
- 3D Model (STEP, Version AK)

[List all Documents](#)

Additional Information:

- Product Line Information

Related Products:

- Tooling
- Mating Products (4)
- Contacts (139)

Product Features (Please use the Product Drawing for all design activity)

Product Type Features:

- Product Line = Commercial MATE-N-LOK
- Product Type = Connector
- Connector Type = Housing
- Sealed = No
- UL File Number = E28476
- CSA File Number = LR 16455

Mechanical Attachment:

- Mating Retention Type = Positive Lock
- Panel Mount Retention = Without

Electrical Characteristics:

- Operating Voltage Reference = AC
- Operating Voltage (VAC) = 250

Body Features:

- Row-to-Row Spacing (mm [in]) = 6.09 [0.240]
- Mating Retention = With

Contact Features:

- Contact Type = Pin
- Contact Layout = Matrix

Housing Features:

Configuration Features:

- Number of Positions = 9
- Number of Rows = 3

Industry Standards:

- RoHS/ELV Compliance = RoHS compliant, ELV compliant
- Lead Free Solder Processes = Not relevant for lead free process
- RoHS/ELV Compliance History = Always was RoHS compliant
- VDE Tested = No
- Agency/Standard = CSA, UL
- UL Rating = Certified, Recognized

Identification Marking:

- Circuit Identification Feature = With

Environmental:

- Operating Temperature (°C [°F]) = -55 - +105 [-67 - +221]

Conditions for Usage:

- Applies To = Wire/Cable
- For Use With = Socket (Plug) Housing

Operation/Application:

- Application Use = Wire-to-Wire

- Connector Style = Pin (Cap)
- Housing Color = Natural
- Centerline (mm [in]) = 5.13 [0.202]
- Mating Alignment = With
- Mating Alignment Type = Polarization
- Housing Material = Nylon
- UL Flammability Rating = UL 94V-2

- Packaging Features:**
- Packaging Method = Package
 - Packaging Quantity = 1
- Other:**
- Brand = AMP

Corporate Information

- [About TE](#)
- [Investors](#)
- [News Room](#)
- [Supplier Portal](#)
- [Careers](#)
- [Terms & Conditions](#)
- [Privacy Policy](#)

Quick Links

- [Distributor Inventory](#)
- [Product Cross Reference](#)
- [Documents & Drawings](#)
- [Product Compliance Support Center](#)
- [Site Map](#)

Customer Support

- [Email or Chat With Us](#)
- [Find a Phone Number](#)
- [Knowledge Base](#)
- [Manage Your Account](#)

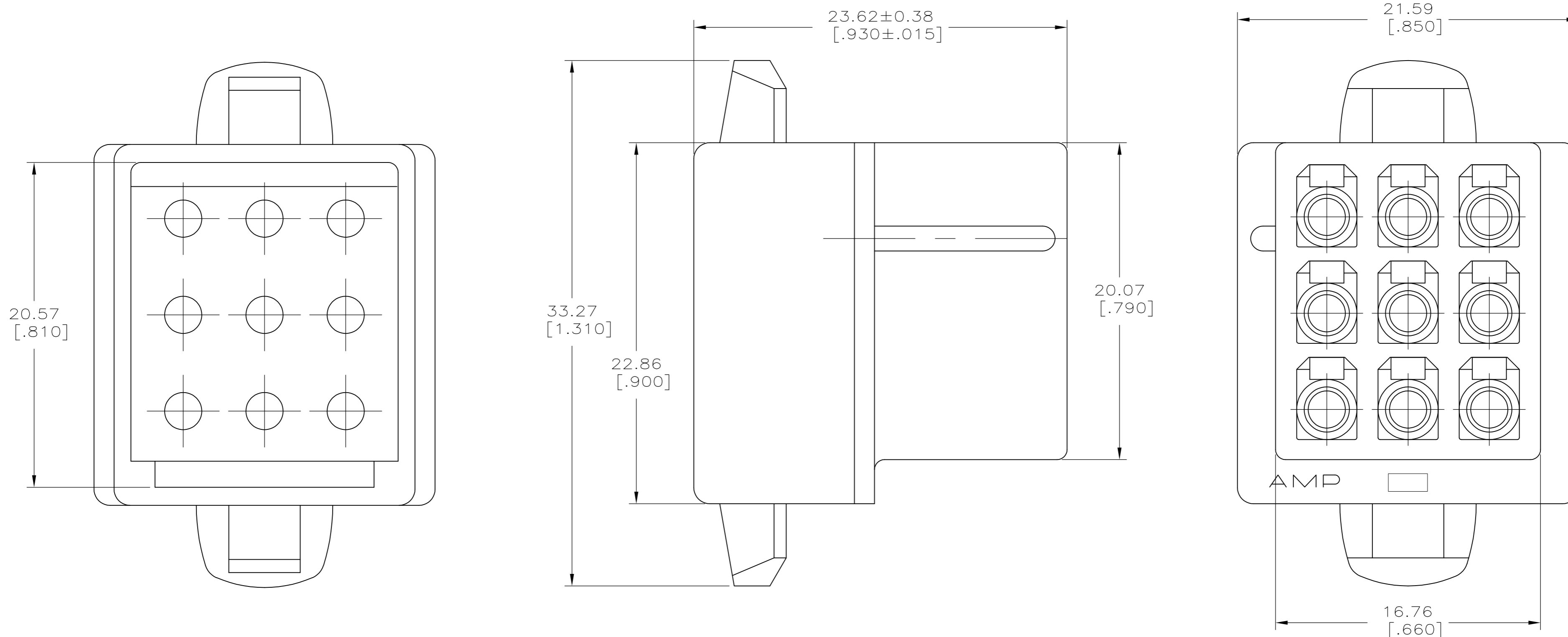
Keep Me Informed



THIS DRAWING IS UNPUBLISHED. RELEASED FOR PUBLICATION
 © COPYRIGHT BY TYCO ELECTRONICS CORPORATION. ALL INTERNATIONAL RIGHTS RESERVED.

LOC		DIST		REVISIONS			
P	LTR	DESCRIPTION		DATE	DWN	APVD	
CM	00	K		REVISED PER ECO-09-019635	25NOV09	HMR	MS

- 1 TO BE USED WITH MATE-N-LOK PINS.
- 2 TO BE USED WITH PLUG 480274.



1-480277-0
PART NO.

THIS DRAWING IS A CONTROLLED DOCUMENT.		DWN	S. HOOVER	15-JAN-2004	Tyco Electronics Corporation Harrisburg, PA 17105-3608	
DIMENSIONS:		CHK	D. COLEY	15-JAN-2004		
mm [INCHES]		APVD	D. COLEY	15-JAN-2004		
TOLERANCES UNLESS OTHERWISE SPECIFIED:		PRODUCT SPEC		NAME		
0 PLC ± 1 PLC ± 2 PLC ± 3 PLC ± 0.13 [.005] 4 PLC ± ANGLES ± FINISH		APPLICATION SPEC		SIZE	A2	
MATERIAL		WEIGHT		CAGE CODE	00779	
		CUSTOMER DRAWING		DRAWING NO	C=480277	
		SCALE		5:1	SHEET	1 of 1
		REV		K	RESTRICTED TO	-