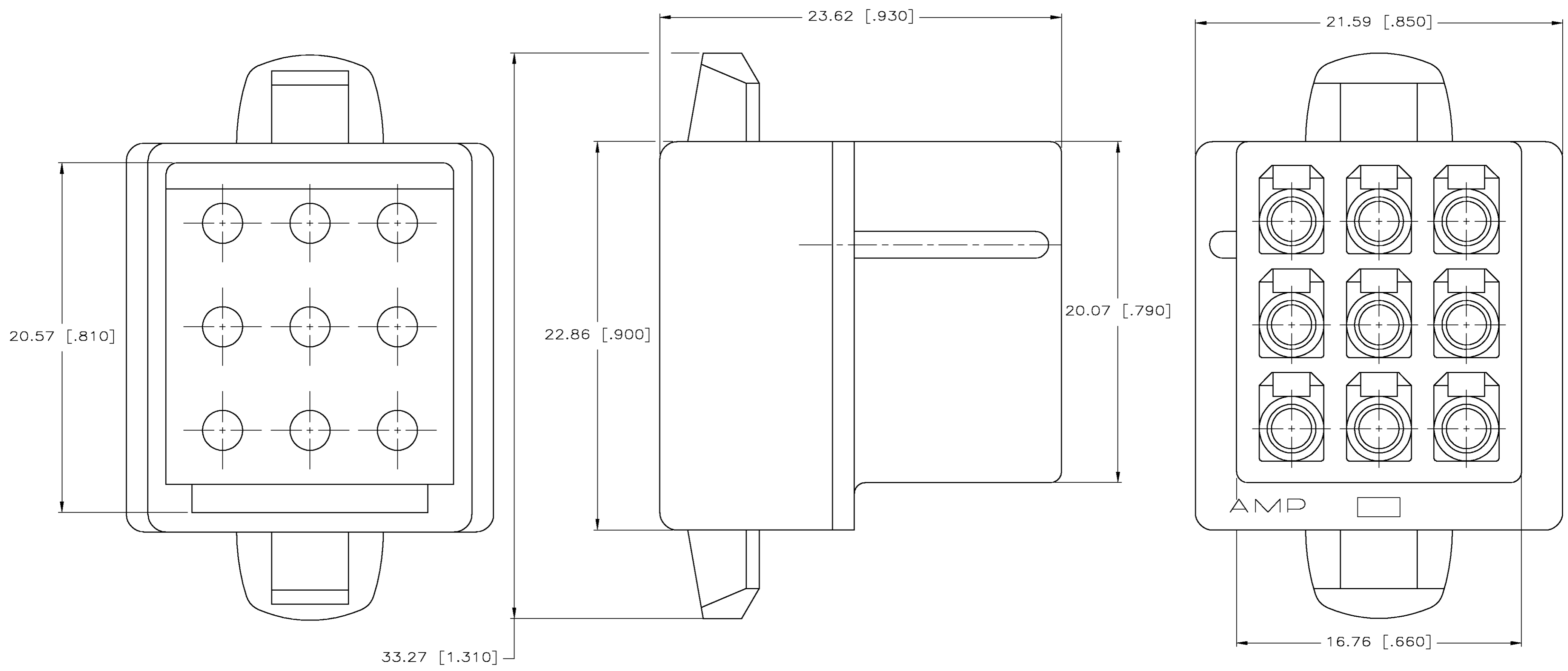


THIS DRAWING IS UNPUBLISHED. RELEASED FOR PUBLICATION
 © COPYRIGHT BY TYCO ELECTRONICS CORPORATION. ALL RIGHTS RESERVED.

| LOC | DIST | REVISIONS | | | |
|-----|------|--------------------------|-----------|-----|------|
| P | LTR | DESCRIPTION | DATE | DWN | APVD |
| CM | 00 | | | | |
| | J | REVISED PER 0G3B-0763-03 | 15-JAN-04 | SH | DC |

1. TO BE USED WITH MATE-N-LOK PINS.
2. TO BE USED WITH PLUG 480274.



1-480277-0
PART NO.

| | | | | |
|--|--|---------------------------------|---|-----------|
| THIS DRAWING IS A CONTROLLED DOCUMENT. | | DWN S. HOOVER 15-JAN-2004 | Tyco Electronics Corporation Harrisburg, PA 17105-3608 | |
| DIMENSIONS: MM [INCHES] | TOLERANCES UNLESS OTHERWISE SPECIFIED: | CHK D. COLEY 15-JAN-2004 | NAME | |
| | 0 PLC ± | APVD D. COLEY 15-JAN-2004 | CAP, 9 CIRCUIT MATE-N-LOK™ | |
| | 1 PLC ± | PRODUCT SPEC | SIZE | CAGE CODE |
| | 2 PLC ± | APPLICATION SPEC | A2 | 00779 |
| | 3 PLC ± 0.13 [0.005] | WEIGHT | DRAWING NO. C=480277 | |
| | 4 PLC ± | CUSTOMER DRAWING | SCALE | SHEET |
| | ANGLES ± | | 6:1 | 1 OF 1 |
| | FINISH | | | REV J |