



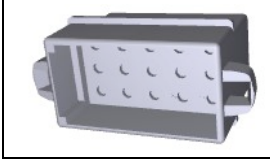
Have a Question?  
Chat with a Product Information Specialist

What can we help you find?

[Products](#) [Industries](#) [Resources](#) [About TE](#) [My Account](#) [Innovation](#) [Support Center](#)

**1-480324-0 Product Details**

[Share](#) [Print](#) [Email](#)



**1-480324-0**

TE Internal Number: 1-480324-0

Active

[View 3D PDF](#)

**.200" Centerline, 250 V, 13 A max.**

Always EU RoHS/ELV Compliant (Statement of Compliance)

**Product Highlights:**

- Commercial MATE-N-LOK Product Line
- Wire-to-Wire
- Applies To Wire/Cable
- Connector
- Housing

[View all Features](#)

**Quick Links**

- ▶ [Pricing & Availability](#)
- ▶ [Search for Tooling](#)
- ▶ [View Mating Products \(2\)](#)
- ▶ [View Contacts \(139\)](#)
- ▶ [Product Feature Selector](#)
- ▶ [Contact Us About This Product](#)

[Add to My Part List](#) [Request Sample](#) [Find Similar Products](#) [Buy Product](#)

Documentation & Additional Information	
<p><b>Product Drawings:</b></p> <ul style="list-style-type: none"> <li>• <a href="#">CAP, 15 CIRCUIT, MATE-N-LOK(TM)</a> (PDF, English)</li> </ul> <p><b>Catalog Pages/Data Sheets:</b></p> <ul style="list-style-type: none"> <li>• <a href="#">SOFT_SHELL_PIN_SOCKET_CONNECTORS_STANDARD_DENSITY</a> (PDF, English)</li> </ul> <p><b>Product Specifications:</b></p> <ul style="list-style-type: none"> <li>• <a href="#">MATE-N-LOK Commercial Connector</a> (PDF, English)</li> </ul> <p><b>Application Specifications:</b></p> <ul style="list-style-type: none"> <li>• <a href="#">Commercial MATE-N-LOK Pin And Socket Contacts</a> (PDF, English)</li> <li>• <a href="#">MATE-N-LOK Commercial Pin and Socket Contacts</a> (PDF, Japanese)</li> </ul> <p><b>Instruction Sheets:</b></p> <ul style="list-style-type: none"> <li>• <a href="#">MATE-N-LOK PANEL-MOUNT CONNECTORS</a> (PDF, English)</li> <li>• <a href="#">Commoning Tabs 60843-1, 60842-1, 350444-1, and 35044...</a> (PDF, English)</li> <li>• <a href="#">Universal, Commercial, and .140 MATE-N-LOK Contact ...</a> (PDF, English)</li> </ul> <p><b>CAD Files:</b> (CAD Format &amp; Compression Information)</p> <ul style="list-style-type: none"> <li>• <a href="#">2D Drawing</a> (DXF, Version T)</li> <li>• <a href="#">3D Model</a> (IGES, Version T)</li> <li>• <a href="#">3D Model</a> (STEP, Version T)</li> </ul>	<p><b>Additional Information:</b></p> <ul style="list-style-type: none"> <li>• <a href="#">Product Line Information</a></li> </ul> <p><b>Related Products:</b></p> <ul style="list-style-type: none"> <li>• <a href="#">Tooling</a></li> <li>• <a href="#">Mating Products (2)</a></li> <li>• <a href="#">Contacts (139)</a></li> </ul>

[List all Documents](#)

Product Features (Please use the Product Drawing for all design activity)	
<p><b>Product Type Features:</b></p> <ul style="list-style-type: none"> <li>• Product Line = Commercial MATE-N-LOK</li> <li>• Product Type = Connector</li> <li>• Connector Type = Housing</li> <li>• Sealed = No</li> <li>• UL File Number = E28476</li> <li>• CSA File Number = LR 16455</li> </ul> <p><b>Mechanical Attachment:</b></p> <ul style="list-style-type: none"> <li>• Mating Retention Type = Positive Lock</li> <li>• Panel Mount Retention = Without</li> </ul> <p><b>Electrical Characteristics:</b></p> <ul style="list-style-type: none"> <li>• Operating Voltage Reference = AC</li> <li>• Operating Voltage (VAC) = 250</li> </ul> <p><b>Body Features:</b></p> <ul style="list-style-type: none"> <li>• Row-to-Row Spacing (mm [in]) = 6.09 [0.240]</li> <li>• Mating Retention = With</li> </ul> <p><b>Contact Features:</b></p> <ul style="list-style-type: none"> <li>• Contact Type = Pin</li> <li>• Contact Layout = Matrix</li> </ul> <p><b>Housing Features:</b></p>	<p><b>Configuration Features:</b></p> <ul style="list-style-type: none"> <li>• Number of Positions = 15</li> <li>• Number of Rows = 5</li> </ul> <p><b>Industry Standards:</b></p> <ul style="list-style-type: none"> <li>• <a href="#">RoHS/ELV Compliance</a> = RoHS compliant, ELV compliant</li> <li>• <a href="#">Lead Free Solder Processes</a> = Not relevant for lead free process</li> <li>• RoHS/ELV Compliance History = Always was RoHS compliant</li> <li>• VDE Tested = No</li> <li>• Agency/Standard = CSA, UL</li> <li>• UL Rating = Certified, Recognized</li> </ul> <p><b>Identification Marking:</b></p> <ul style="list-style-type: none"> <li>• Circuit Identification Feature = With</li> </ul> <p><b>Environmental:</b></p> <ul style="list-style-type: none"> <li>• Operating Temperature (°C [°F]) = -55 - +105 [-67 - +221]</li> </ul> <p><b>Conditions for Usage:</b></p> <ul style="list-style-type: none"> <li>• Applies To = Wire/Cable</li> <li>• For Use With = Socket (Plug) Housing</li> </ul> <p><b>Operation/Application:</b></p> <ul style="list-style-type: none"> <li>• Application Use = Wire-to-Wire</li> </ul>

- Connector Style = Pin (Cap)
- Housing Color = Natural
- Centerline (mm [in]) = 5.13 [0.202]
- Mating Alignment = With
- Mating Alignment Type = Polarization
- Housing Material = Nylon
- UL Flammability Rating = UL 94V-2

- Packaging Features:**
- Packaging Method = Package
  - Packaging Quantity = 1
- Other:**
- Brand = AMP

### Corporate Information

- [About TE](#)
- [Investors](#)
- [News Room](#)
- [Supplier Portal](#)
- [Careers](#)
- [Terms & Conditions](#)
- [Privacy Policy](#)

### Quick Links

- [Distributor Inventory](#)
- [Product Cross Reference](#)
- [Documents & Drawings](#)
- [Product Compliance Support Center](#)
- [Site Map](#)

### Customer Support

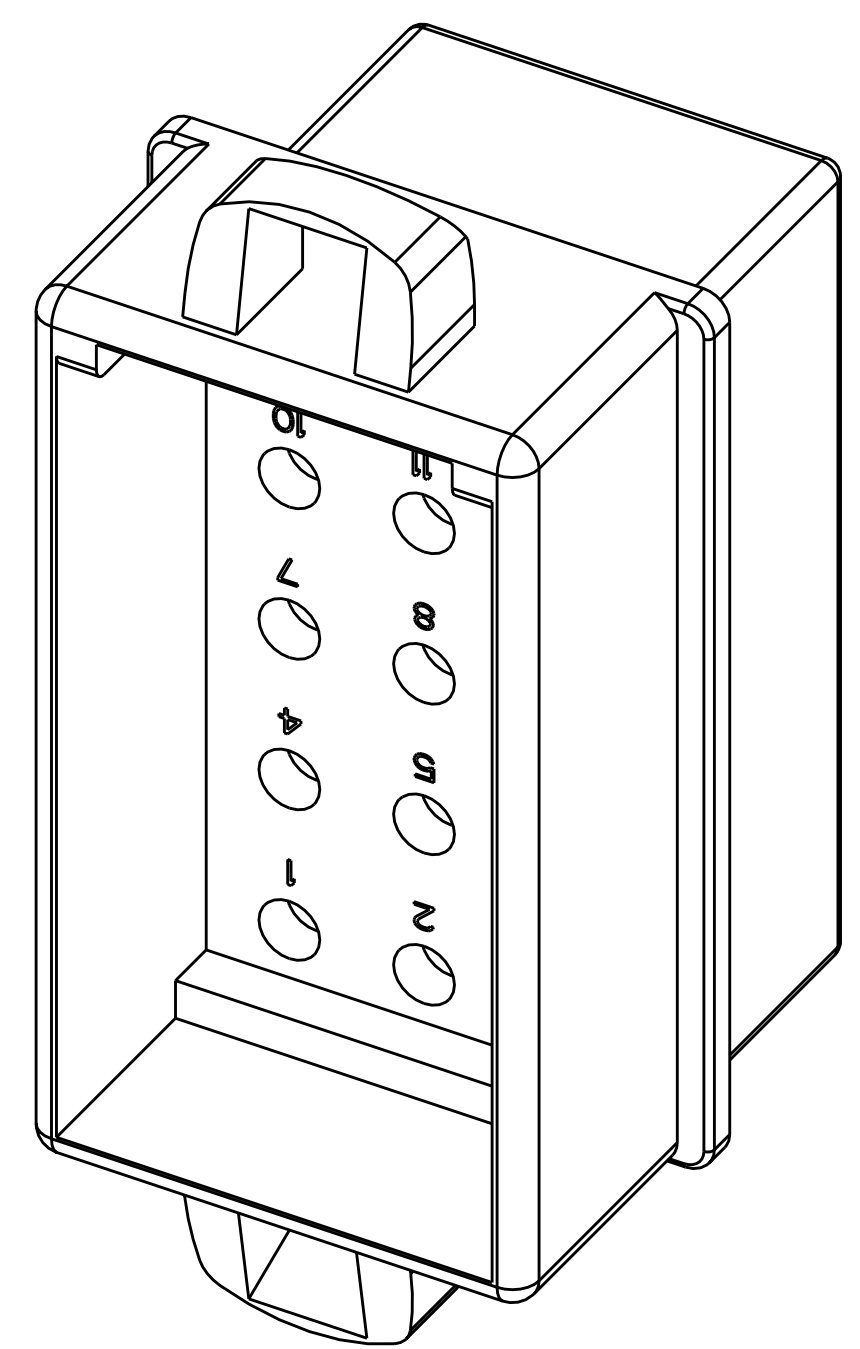
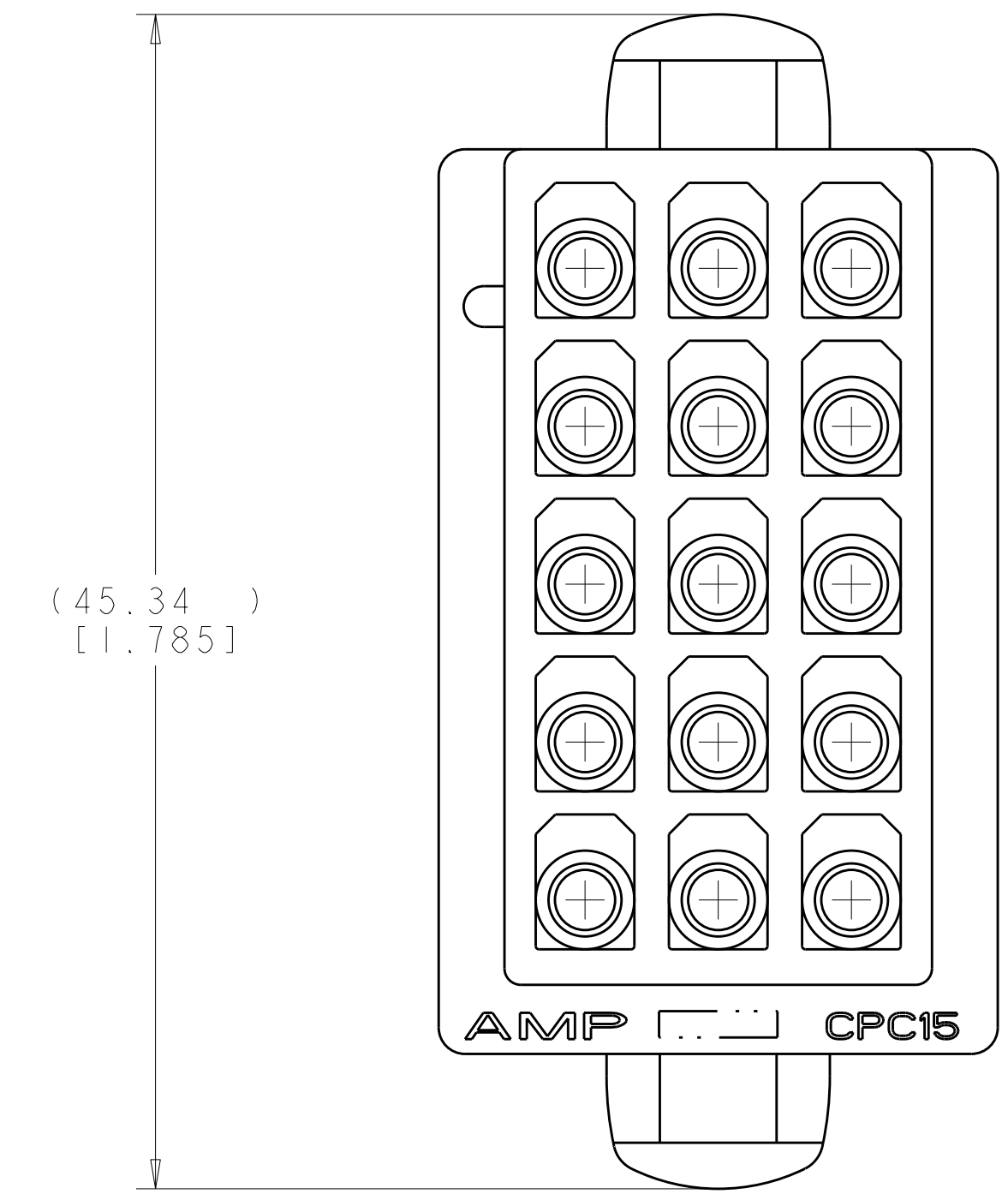
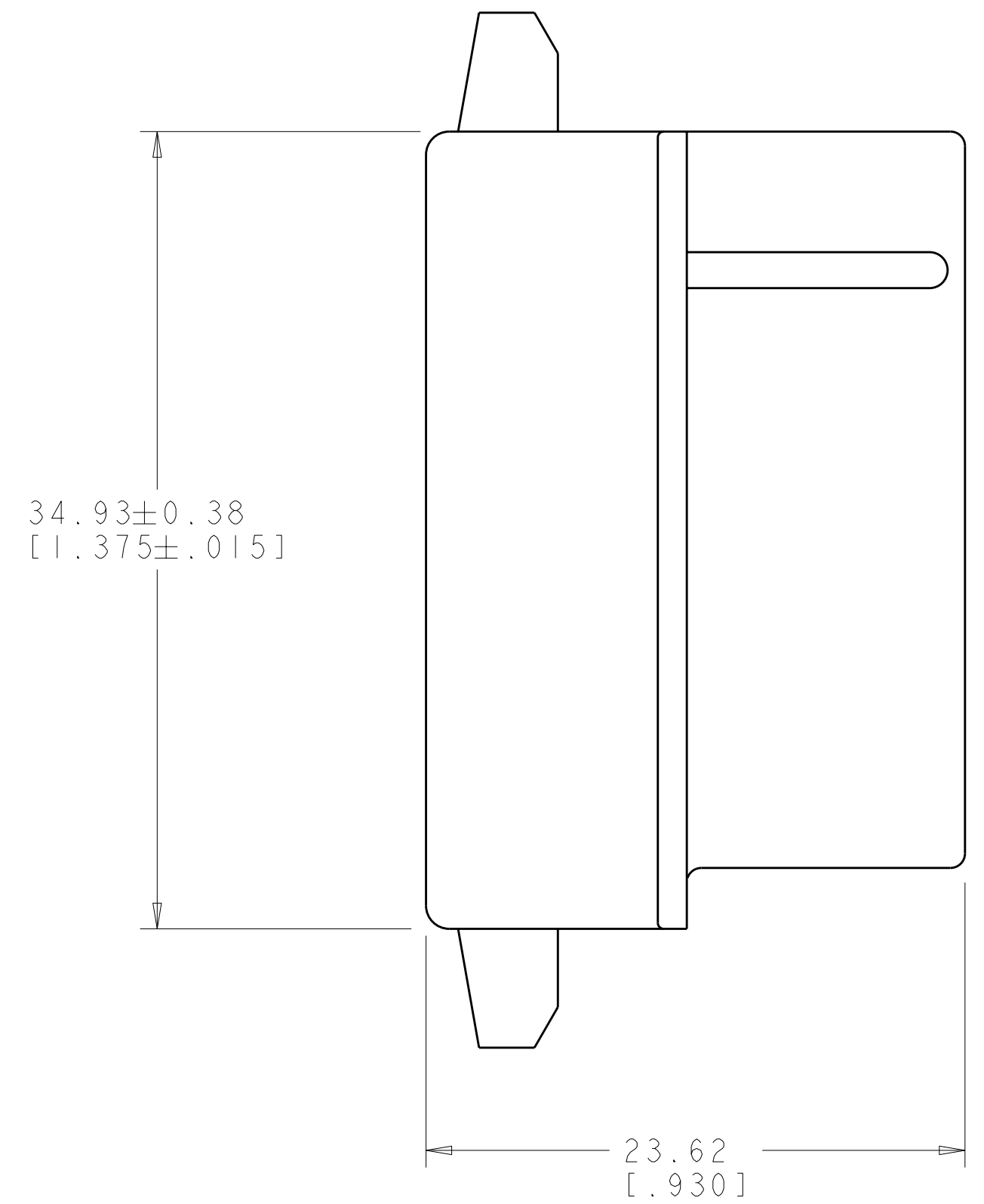
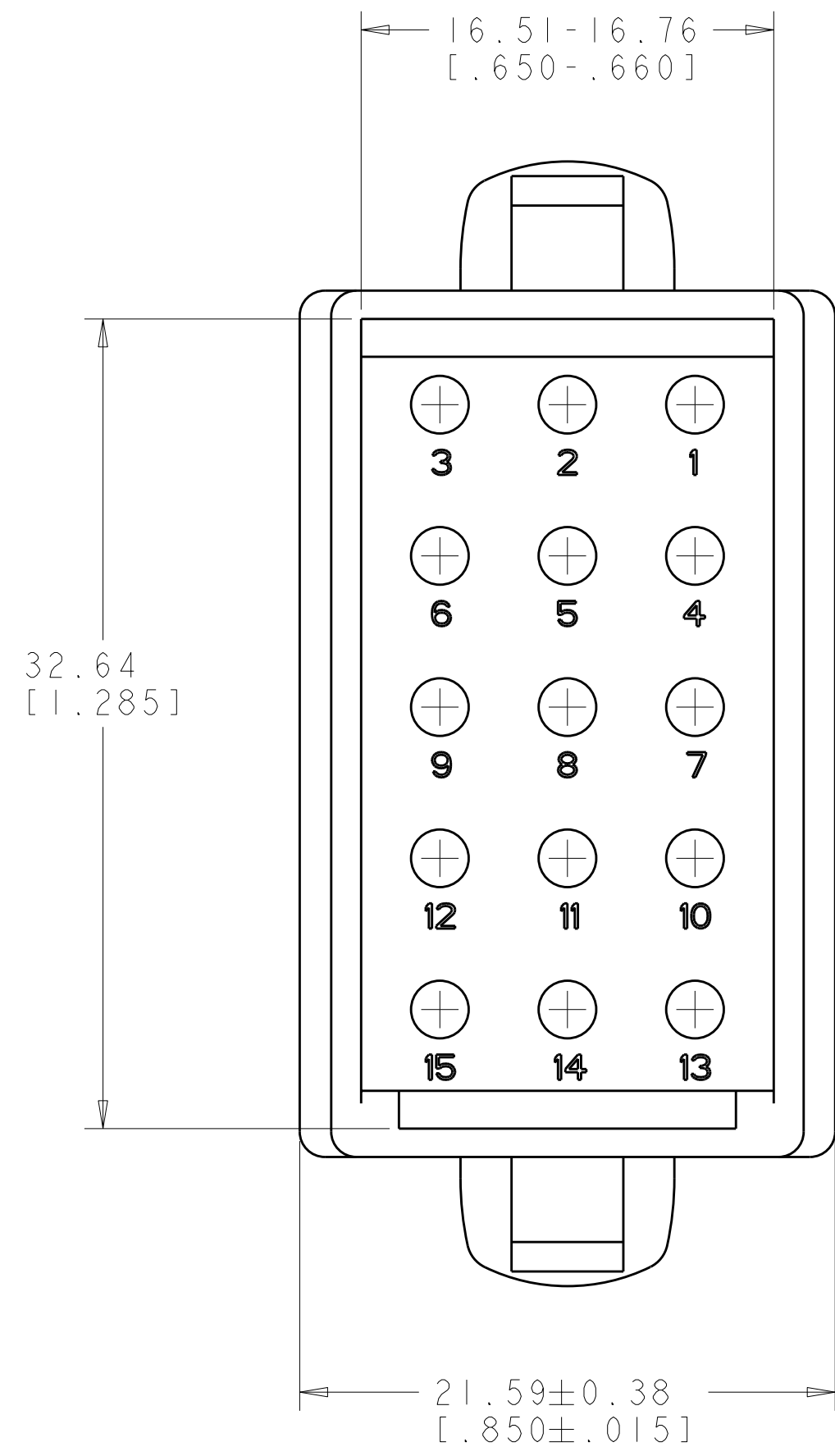
- [Email or Chat With Us](#)
- [Find a Phone Number](#)
- [Knowledge Base](#)
- [Manage Your Account](#)

### Keep Me Informed



LOC		DIST		REVISIONS			
CM	00	P	LTB	DESCRIPTION	DATE	DWN	APVD
		T		ECO-08-007186	19MAR2008	KW	CC

1. TO BE USED WITH MATE-N-LOK™ PINS.
2. THIS CAP TO BE USED WITH PLUG 480323.



0.397 IN <sup>3</sup>	1-480324-0
VOLUME	PART NUMBER

<small>THIS DRAWING IS UNPUBLISHED. IT IS SUBJECT TO CHANGE WITHOUT NOTICE AND WITHOUT OBLIGATION. SHOULD BE CONTACTED FOR THE LATEST REVISION.</small>		DWN R. WHITAKER 19MAR2008	Tyco Electronics Harrisburg, PA 17105-3608
DIMENSIONS: mm [ INCHES ]		CHK C. CASH 19MAR2008	
TOLERANCES UNLESS OTHERWISE SPECIFIED: 0 PLC ± 1 PLC ± 2 PLC ±0.13 (1.005) 3 PLC ± 4 PLC ± ANGLES ±1°		APVD C. CASH 19MAR2008	NAME CAP, 15 CIRCUIT, MATE-N-LOK(TM)
MATERIAL: NYLON, NATURAL		FINISH -	RESTRICTED TO A   00779   C=480324
CUSTOMER DRAWING			SCALE 4:1 SHEET 1 OF 1 REV T

**METRIC**