



Have a Question?
Chat with a Product Information Specialist

What can we help you find?

1-480339-0 Product Details

[Share](#) [Print](#) [Email](#)



1-480339-0

TE Internal Number: 1-480339-0

Active

[View 3D PDF](#)

.200" Centerline, 250 V, 13 A max.

Always EU RoHS/ELV Compliant (Statement of Compliance)

Product Highlights:

- Commercial MATE-N-LOK Product Line
- Wire-to-Wire
- Applies To Wire/Cable
- Connector
- Housing

[View all Features](#)

Quick Links

- ▶ [Pricing & Availability](#)
- ▶ [Search for Tooling](#)
- ▶ [View Mating Products \(1\)](#)
- ▶ [View Contacts \(139\)](#)
- ▶ [Product Feature Selector](#)
- ▶ [Contact Us About This Product](#)

[Add to My Part List](#) [Request Sample](#) [Find Similar Products](#) [Buy Product](#)

Documentation & Additional Information	
<p>Product Drawings:</p> <ul style="list-style-type: none"> • CAP, 10 CIRCUIT, COMMERCIAL MATE-N-LOK(TM) (PDF, English) <p>Catalog Pages/Data Sheets:</p> <ul style="list-style-type: none"> • SOFT_SHELL_PIN_SOCKET_CONNECTORS_STANDARD_DENSITY (PDF, English) <p>Product Specifications:</p> <ul style="list-style-type: none"> • None Available <p>Application Specifications:</p> <ul style="list-style-type: none"> • Commercial MATE-N-LOK Pin And Socket Contacts (PDF, English) • MATE-N-LOK Commercial Pin and Socket Contacts (PDF, Japanese) <p>Instruction Sheets:</p> <ul style="list-style-type: none"> • AMP* Positive-Engagement MATE-N-LOK* Connectors for ... (PDF, English) • Commoning Tabs 60843-1, 60842-1, 350444-1, and 35044... (PDF, English) • Universal, Commercial, and .140 MATE-N-LOK Contact ... (PDF, English) <p>CAD Files: (CAD Format & Compression Information)</p> <ul style="list-style-type: none"> • 2D Drawing (DXF, Version H) • 3D Model (IGES, Version H) • 3D Model (STEP, Version H) 	<p>Additional Information:</p> <ul style="list-style-type: none"> • Product Line Information <p>Related Products:</p> <ul style="list-style-type: none"> • Tooling • Mating Products (1) • Contacts (139)

[List all Documents](#)

Product Features (Please use the Product Drawing for all design activity)	
<p>Product Type Features:</p> <ul style="list-style-type: none"> • Product Line = Commercial MATE-N-LOK • Product Type = Connector • Connector Type = Housing • Sealed = No • UL File Number = E28476 • CSA File Number = LR 16455 <p>Mechanical Attachment:</p> <ul style="list-style-type: none"> • Mating Retention Type = Positive Lock • Panel Mount Retention = Without <p>Electrical Characteristics:</p> <ul style="list-style-type: none"> • Operating Voltage Reference = AC • Operating Voltage (VAC) = 250 <p>Body Features:</p> <ul style="list-style-type: none"> • Row-to-Row Spacing (mm [in]) = 9.14 [0.360] • Mating Retention = With <p>Contact Features:</p> <ul style="list-style-type: none"> • Contact Type = Pin • Contact Layout = Dual Row <p>Housing Features:</p>	<p>Configuration Features:</p> <ul style="list-style-type: none"> • Number of Positions = 10 • Number of Rows = 2 <p>Industry Standards:</p> <ul style="list-style-type: none"> • RoHS/ELV Compliance = RoHS compliant, ELV compliant • Lead Free Solder Processes = Not relevant for lead free process • RoHS/ELV Compliance History = Always was RoHS compliant • VDE Tested = No • Agency/Standard = UL, CSA • UL Rating = Certified, Recognized <p>Identification Marking:</p> <ul style="list-style-type: none"> • Circuit Identification Feature = With <p>Environmental:</p> <ul style="list-style-type: none"> • Operating Temperature (°C [°F]) = -55 - +105 [-67 - +221] <p>Conditions for Usage:</p> <ul style="list-style-type: none"> • Applies To = Wire/Cable • For Use With = Socket (Plug) Housing <p>Operation/Application:</p> <ul style="list-style-type: none"> • Application Use = Wire-to-Wire

- Connector Style = Pin (Cap)
- Housing Color = Natural
- Centerline (mm [in]) = 4.95 [0.195]
- Mating Alignment = With
- Mating Alignment Type = Polarization
- Housing Material = Nylon
- UL Flammability Rating = UL 94V-2

- Packaging Features:**
- Packaging Method = Package
 - Packaging Quantity = 1
- Other:**
- Brand = AMP

Corporate Information

- [About TE](#)
- [Investors](#)
- [News Room](#)
- [Supplier Portal](#)
- [Careers](#)
- [Terms & Conditions](#)
- [Privacy Policy](#)

Quick Links

- [Distributor Inventory](#)
- [Product Cross Reference](#)
- [Documents & Drawings](#)
- [Product Compliance Support Center](#)
- [Site Map](#)

Customer Support

- [Email or Chat With Us](#)
- [Find a Phone Number](#)
- [Knowledge Base](#)
- [Manage Your Account](#)

Keep Me Informed



4

3

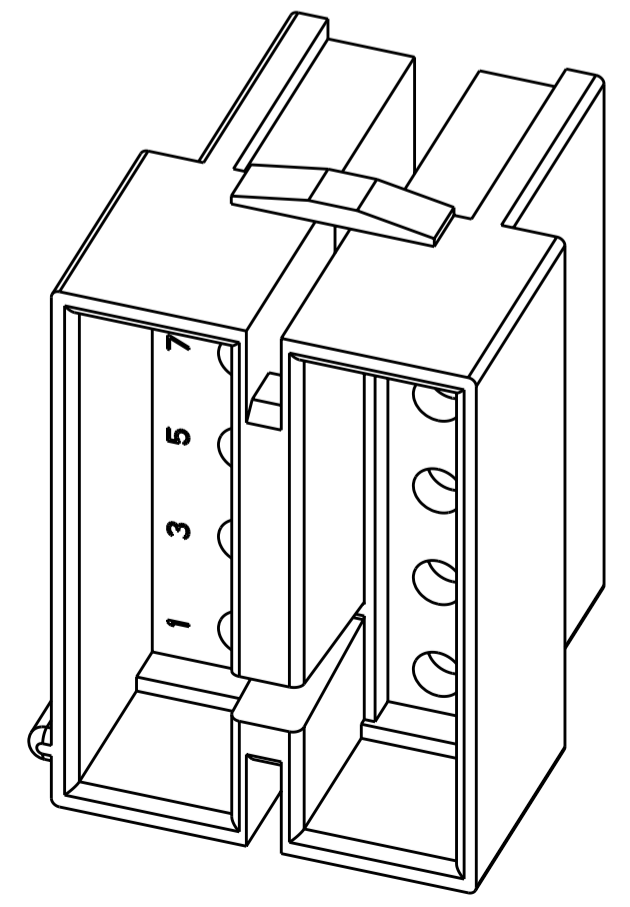
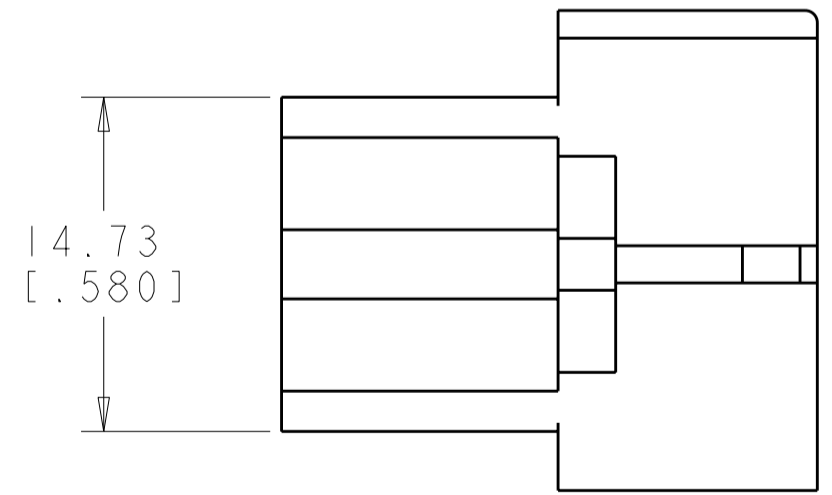
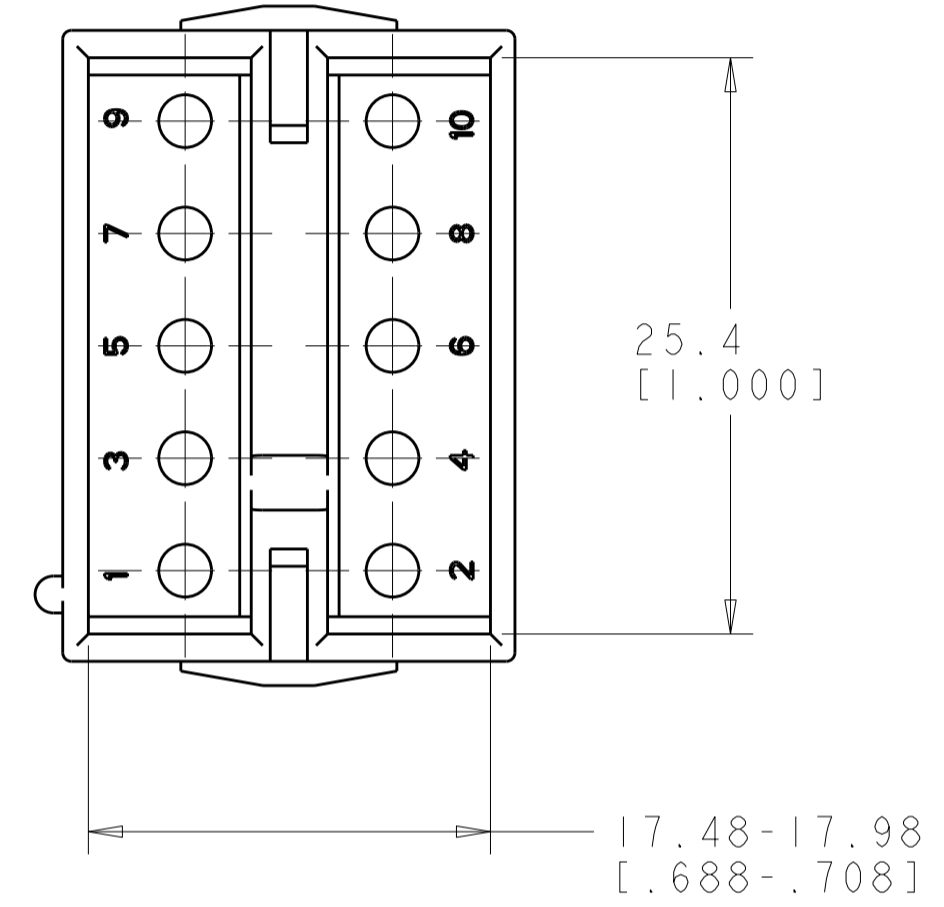
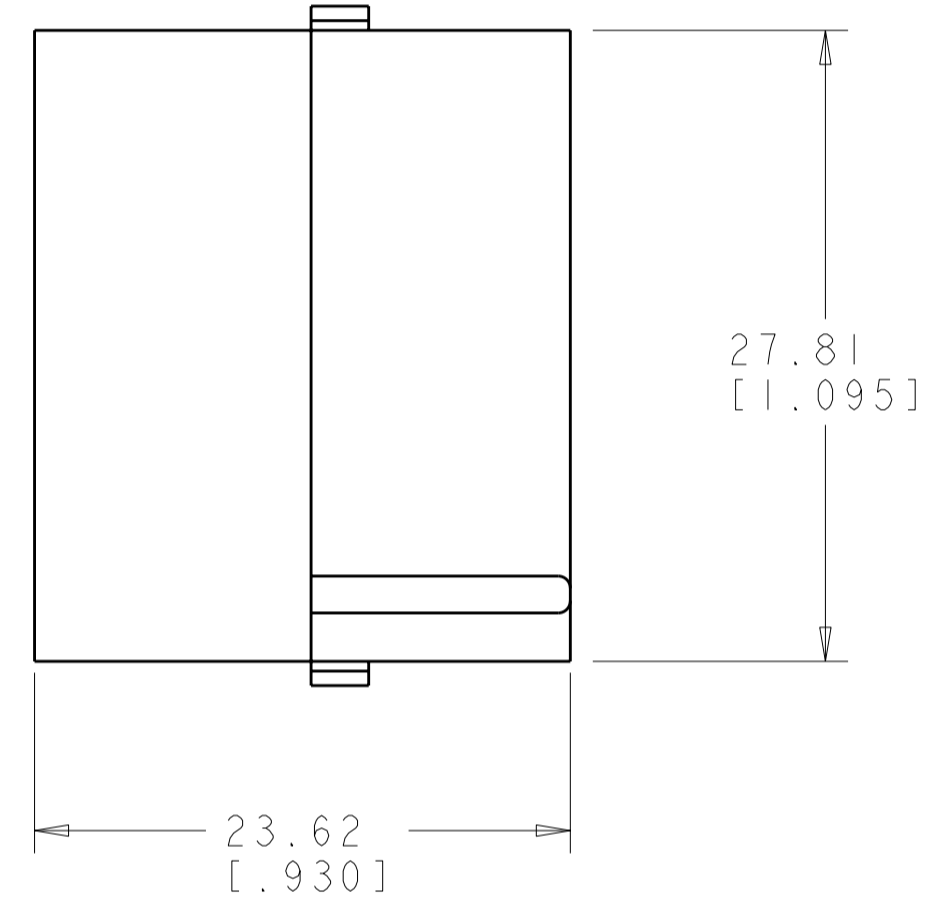
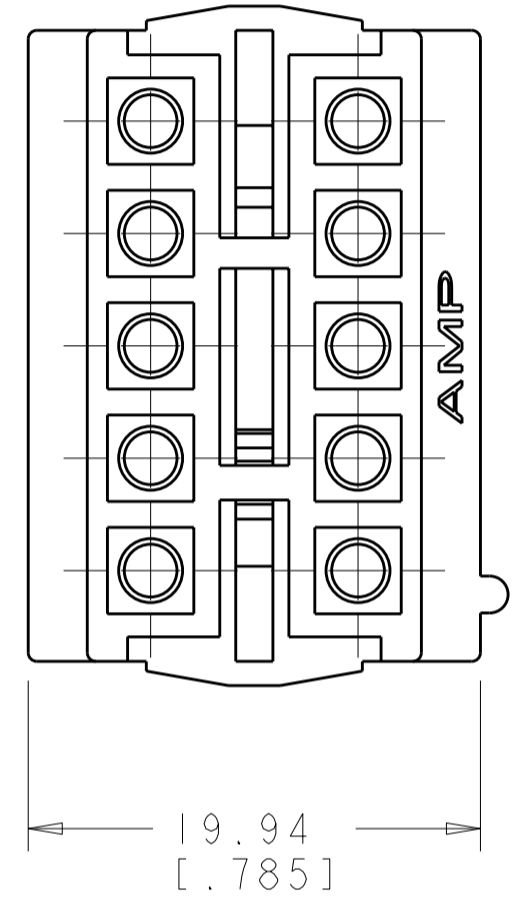
2

1

THIS DRAWING IS UNPUBLISHED. RELEASED FOR PUBLICATION 20
 © COPYRIGHT 20 BY TYCO ELECTRONICS CORPORATION. ALL RIGHTS RESERVED.

LOC	DIST	REVISIONS					
CM	00	P	LTR	DESCRIPTION	DATE	DWN	APVD
			HI	REVISED PER ECO-09-025197	11NOV2009	HMR	MS

- PART MATES WITH PLUG NO. 480285.
- TO BE USED WITH APPROPRIATE COMMERCIAL MATE-N-LOK™ PINS.
- MATERIAL: NYLON UL94V-2, NATURAL.



0.297 IN ³	1-480339-0
VOLUME	PART NUMBER



THIS DRAWING IS A CONTROLLED DOCUMENT FOR TYCO ELECTRONICS CORPORATION. IT IS SUBJECT TO CHANGE AND THE CONTROLLING ENGINEERING ORGANIZATION SHOULD BE CONTACTED FOR THE LATEST REVISION.		DWN K. WHITAKER 07MAR2008	Tyco Electronics Harrisburg, PA 17105-3608	
DIMENSIONS: mm [INCHES]		CHK C. CASH 07MAR2008	NAME CAP, 10 CIRCUIT, COMMERCIAL MATE-N-LOK(TM)	
TOLERANCES UNLESS OTHERWISE SPECIFIED:		APVD C. CASH 07MAR2008	SIZE A200779	
0 PLC ±-	1 PLC ±-	PRODUCT SPEC	CAGE CODE C-480339	
2 PLC ±0.13 [.005]	3 PLC ±-	APPLICATION SPEC	DRAWING NO	
4 PLC ±-	ANGLES ±0°30'	FINISH	RESTRICTED TO	
MATERIAL		WEIGHT	-	
		CUSTOMER DRAWING	SCALE 3:1 SHEET 1 OF 1 REV. HI	