



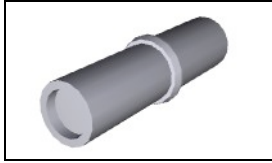
Have a Question?
Chat with a Product Information Specialist

What can we help you find?

[Products](#) [Industries](#) [Resources](#) [About TE](#) [My Account](#) [Innovation](#) [Support Center](#)

1-480349-0 Product Details

[Share](#) [Print](#) [Email](#)



1-480349-0

TE Internal Number: 1-480349-0

Active

[View 3D PDF](#)

.200" Centerline, 250 V, 13 A max.

Always EU RoHS/ELV Compliant (Statement of Compliance)

Product Highlights:

- Commercial MATE-N-LOK Product Line
- Wire-to-Wire
- Applies To Wire/Cable
- Connector
- Housing

[View all Features](#)

Quick Links

- ▶ [Pricing & Availability](#)
- ▶ [Search for Tooling](#)
- ▶ [View Mating Products \(5\)](#)
- ▶ [View Contacts \(139\)](#)
- ▶ [Product Feature Selector](#)
- ▶ [Contact Us About This Product](#)

[Add to My Part List](#) [Request Sample](#) [Find Similar Products](#) [Buy Product](#)

Documentation & Additional Information	
<p>Product Drawings:</p> <ul style="list-style-type: none"> • TM PLUG, SINGLE CIRCUIT, (PDF, English) <p>Catalog Pages/Data Sheets:</p> <ul style="list-style-type: none"> • SOFT_SHELL_PIN_SOCKET_CONNECTORS_STANDARD_DENSITY (PDF, English) <p>Product Specifications:</p> <ul style="list-style-type: none"> • None Available <p>Application Specifications:</p> <ul style="list-style-type: none"> • Commercial MATE-N-LOK Pin And Socket Contacts (PDF, English) • MATE-N-LOK Commercial Pin and Socket Contacts (PDF, Japanese) <p>Instruction Sheets:</p> <ul style="list-style-type: none"> • Single Circuit Commercial MATE-N-LOK Connectors (PDF, English) • Universal, Commercial, and .140 MATE-N-LOK Contact ... (PDF, English) <p>CAD Files: (CAD Format & Compression Information)</p> <ul style="list-style-type: none"> • 2D Drawing (DXF, Version K) • 3D Model (IGES, Version K) • 3D Model (STEP, Version K) 	<p>Additional Information:</p> <ul style="list-style-type: none"> • Product Line Information <p>Related Products:</p> <ul style="list-style-type: none"> • Tooling • Mating Products (5) • Contacts (139)

[List all Documents](#)

Product Features (Please use the Product Drawing for all design activity)	
<p>Product Type Features:</p> <ul style="list-style-type: none"> • Product Line = Commercial MATE-N-LOK • Product Type = Connector • Connector Type = Housing • Sealed = No • UL File Number = E28476 • CSA File Number = LR 16455 <p>Mechanical Attachment:</p> <ul style="list-style-type: none"> • Mating Retention Type = Detent Lock • Panel Mount Retention = Without <p>Electrical Characteristics:</p> <ul style="list-style-type: none"> • Operating Voltage Reference = AC • Operating Voltage (VAC) = 250 <p>Body Features:</p> <ul style="list-style-type: none"> • Mating Retention = With <p>Contact Features:</p> <ul style="list-style-type: none"> • Contact Type = Socket <p>Housing Features:</p> <ul style="list-style-type: none"> • Connector Style = Socket (Plug) • Housing Color = Natural • Mating Alignment = With 	<p>Configuration Features:</p> <ul style="list-style-type: none"> • Number of Positions = 1 <p>Industry Standards:</p> <ul style="list-style-type: none"> • RoHS/ELV Compliance = RoHS compliant, ELV compliant • Lead Free Solder Processes = Not relevant for lead free process • RoHS/ELV Compliance History = Always was RoHS compliant • VDE Tested = No • Agency/Standard = CSA, UL • UL Rating = Certified, Recognized <p>Identification Marking:</p> <ul style="list-style-type: none"> • Circuit Identification Feature = Without <p>Environmental:</p> <ul style="list-style-type: none"> • Operating Temperature (°C [°F]) = -55 - +105 [-67 - +221] <p>Conditions for Usage:</p> <ul style="list-style-type: none"> • Applies To = Wire/Cable • For Use With = Pin (Cap) Housing <p>Operation/Application:</p> <ul style="list-style-type: none"> • Application Use = Wire-to-Wire <p>Packaging Features:</p>

- Mating Alignment Type = Polarization
- Housing Material = Nylon
- UL Flammability Rating = UL 94V-2

- Packaging Method = Package
- Packaging Quantity = 1

Other:

- Brand = AMP

Corporate Information

- [About TE](#)
- [Investors](#)
- [News Room](#)
- [Supplier Portal](#)
- [Careers](#)
- [Terms & Conditions](#)
- [Privacy Policy](#)

Quick Links

- [Distributor Inventory](#)
- [Product Cross Reference](#)
- [Documents & Drawings](#)
- [Product Compliance Support Center](#)
- [Site Map](#)

Customer Support

- [Email or Chat With Us](#)
- [Find a Phone Number](#)
- [Knowledge Base](#)
- [Manage Your Account](#)

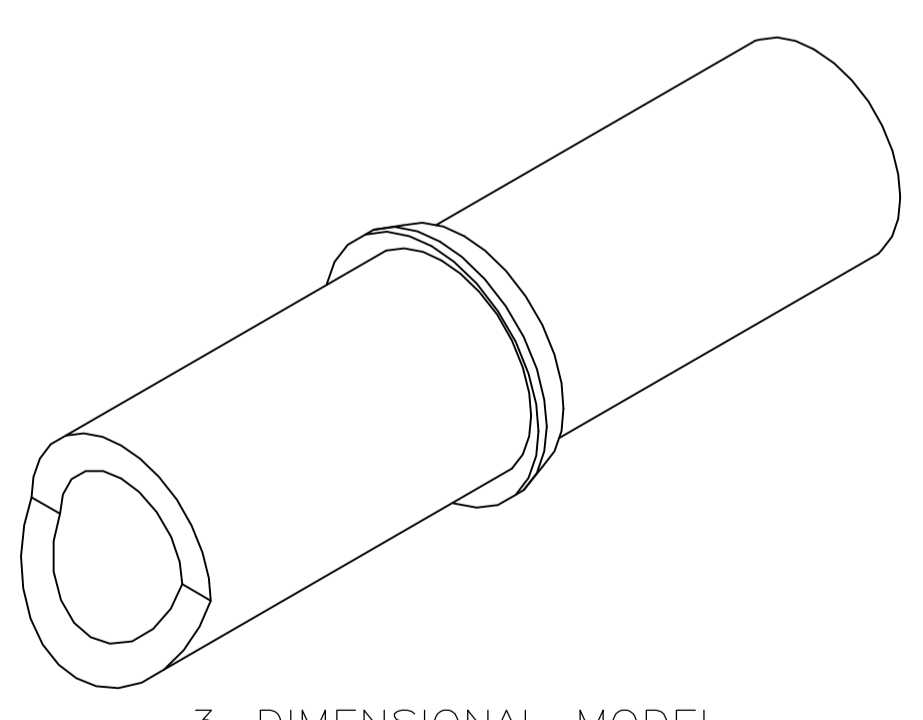
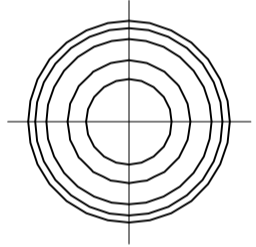
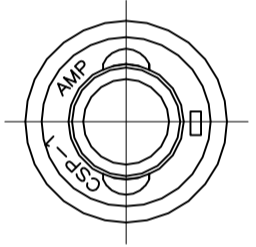
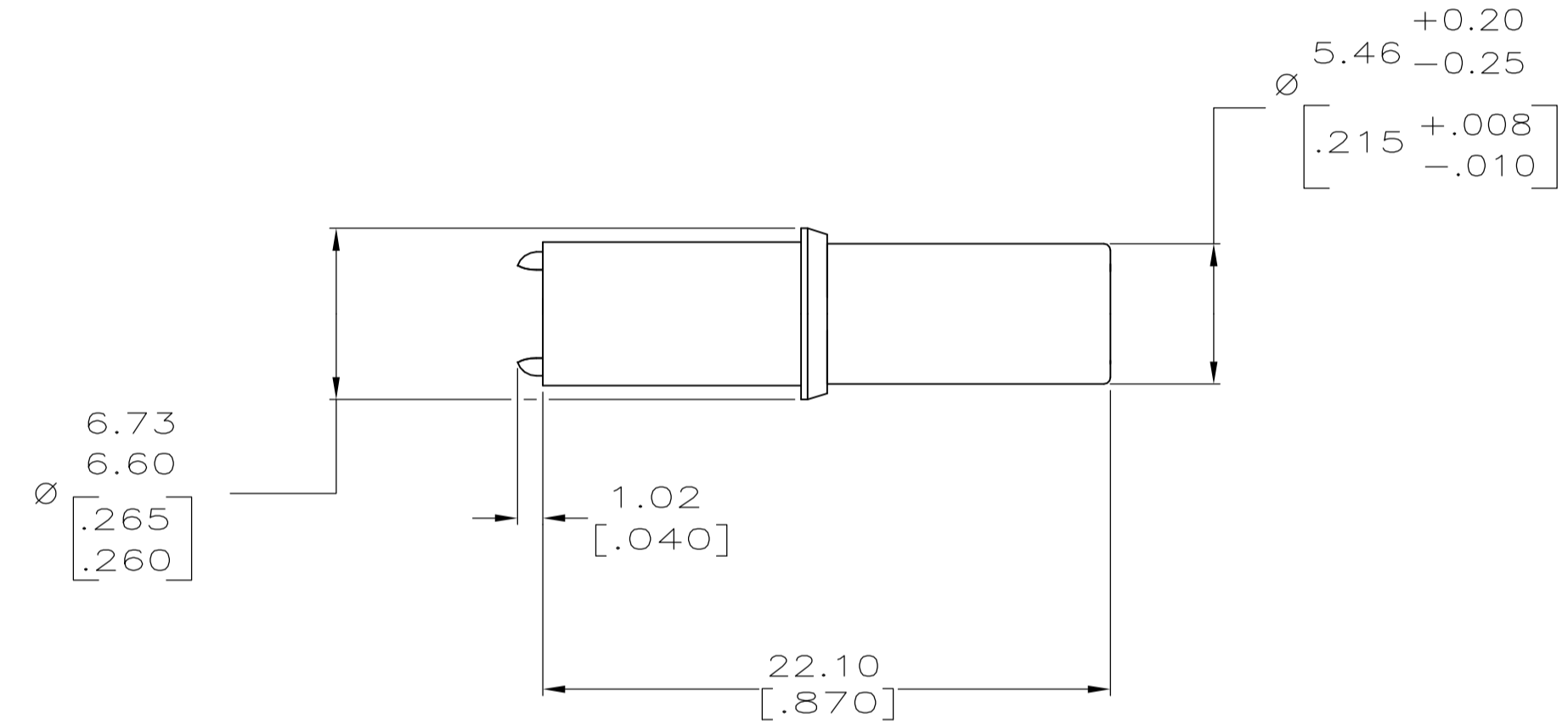
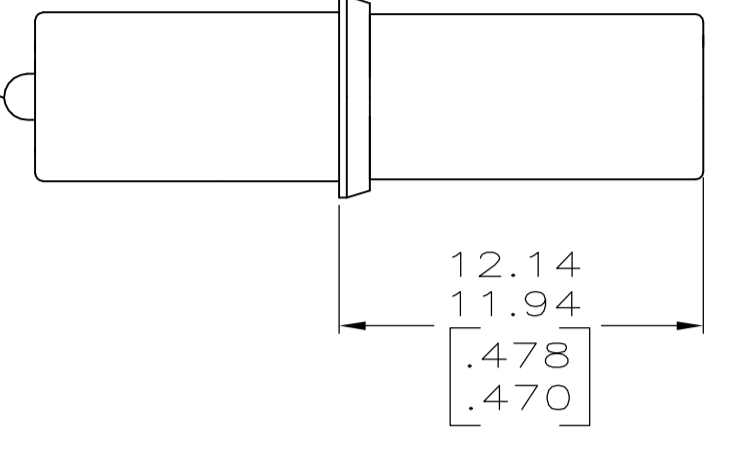
Keep Me Informed



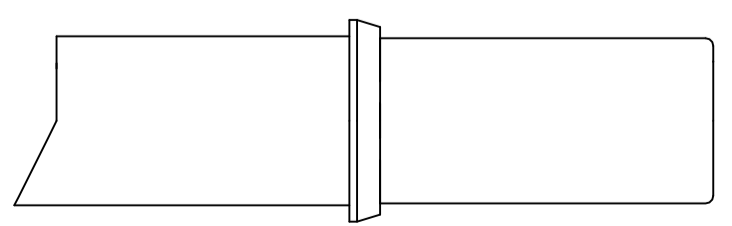
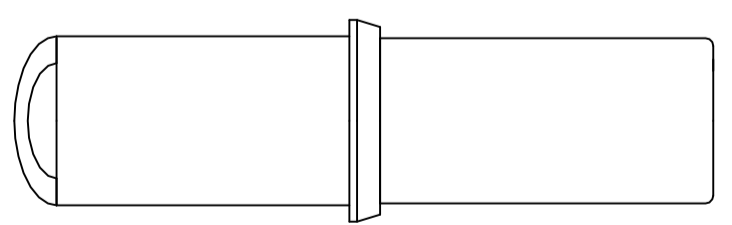
LOC		DIST		REVISIONS			
P	LTR	DESCRIPTION	DATE	DNW	APVD		
K1		REVISED PER ECO-11-004820	11MAR11	RK	HMR		

1. TO BE USED WITH APPROPRIATE COMMERCIAL MATE-N-LOK SOCKETS.
2. MATES WITH CAP 480350 OR 480351.
3. DIMENSIONS IN BRACKETS ARE IN INCHES.

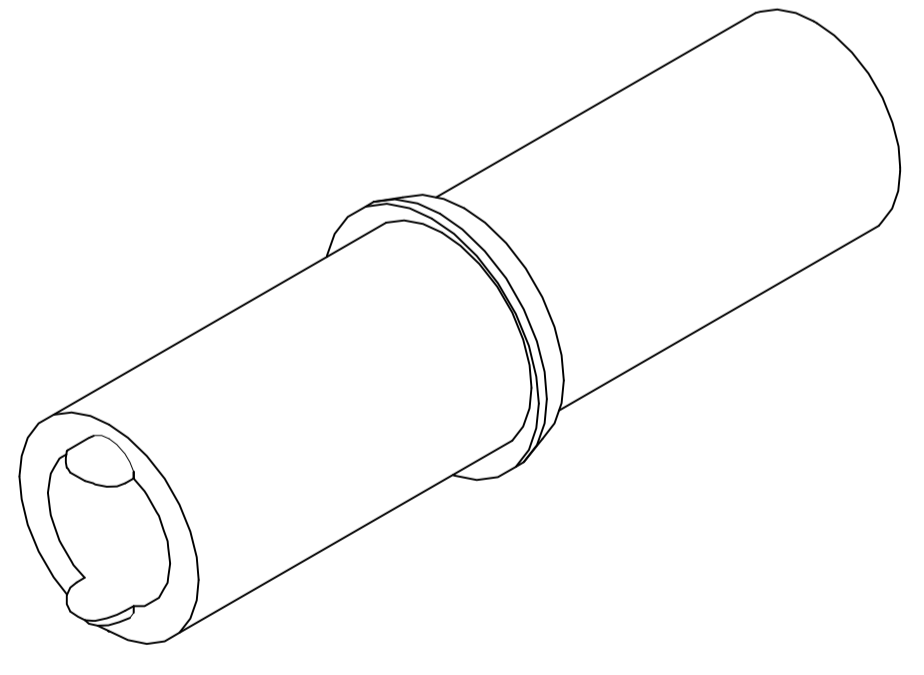
WIRE END IDENTIFICATION



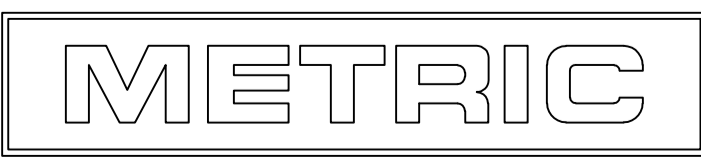
3-DIMENSIONAL MODEL NTS



ALTERNATE CONSTRUCTION (FOR FOREIGN PRODUCTION ONLY)



3-DIMENSIONAL MODEL NTS



BLUE	1-480349-6
GREEN	1-480349-5
RED	1-480349-2
NATURAL	1-480349-0
COLOR	PART NO.

THIS DRAWING IS A CONTROLLED DOCUMENT.		DIN K SALMON 3-8-94		APVD C MARTIN		NAME	
DIMENSIONS: INCHES		TOLERANCES UNLESS OTHERWISE SPECIFIED:		APVD R SWING 3-8-94		TE Connectivity	
0. PLC ± -		1. PLC ± -		APPLICATION SPEC		TM PLUG, SINGLE CIRCUIT,	
1. PLC ± -		2. PLC ± 0.13[.005]		MATERIAL NYLON		SIZE CAGE CODE DRAWING NO. RESTRICTED TO	
2. PLC ± -		3. PLC ± -		FINISH -		A1 00779 C=480349	
3. PLC ± -		4. PLC ± -		WEIGHT -		CUSTOMER DRAWING	
4. PLC ± -		ANGLES ± -		SCALE 4:1		SHEET 1 OF 1 REV K1	