

Distributed by:

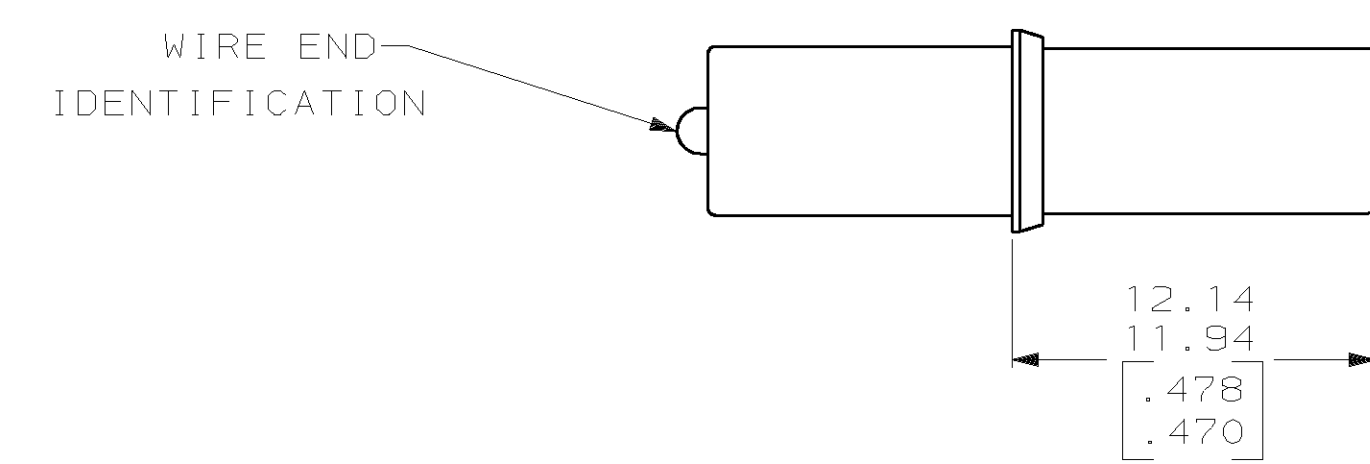
JAMECO[®]
ELECTRONICS

www.Jameco.com ♦ 1-800-831-4242

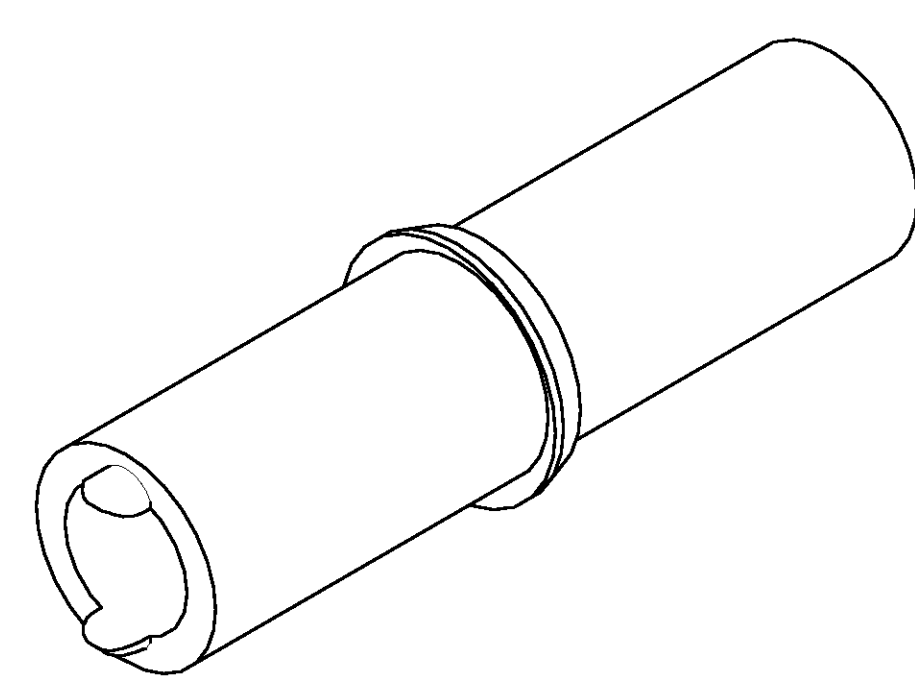
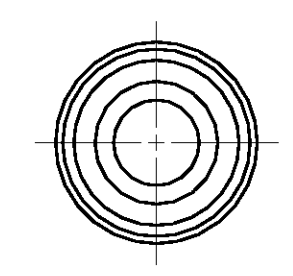
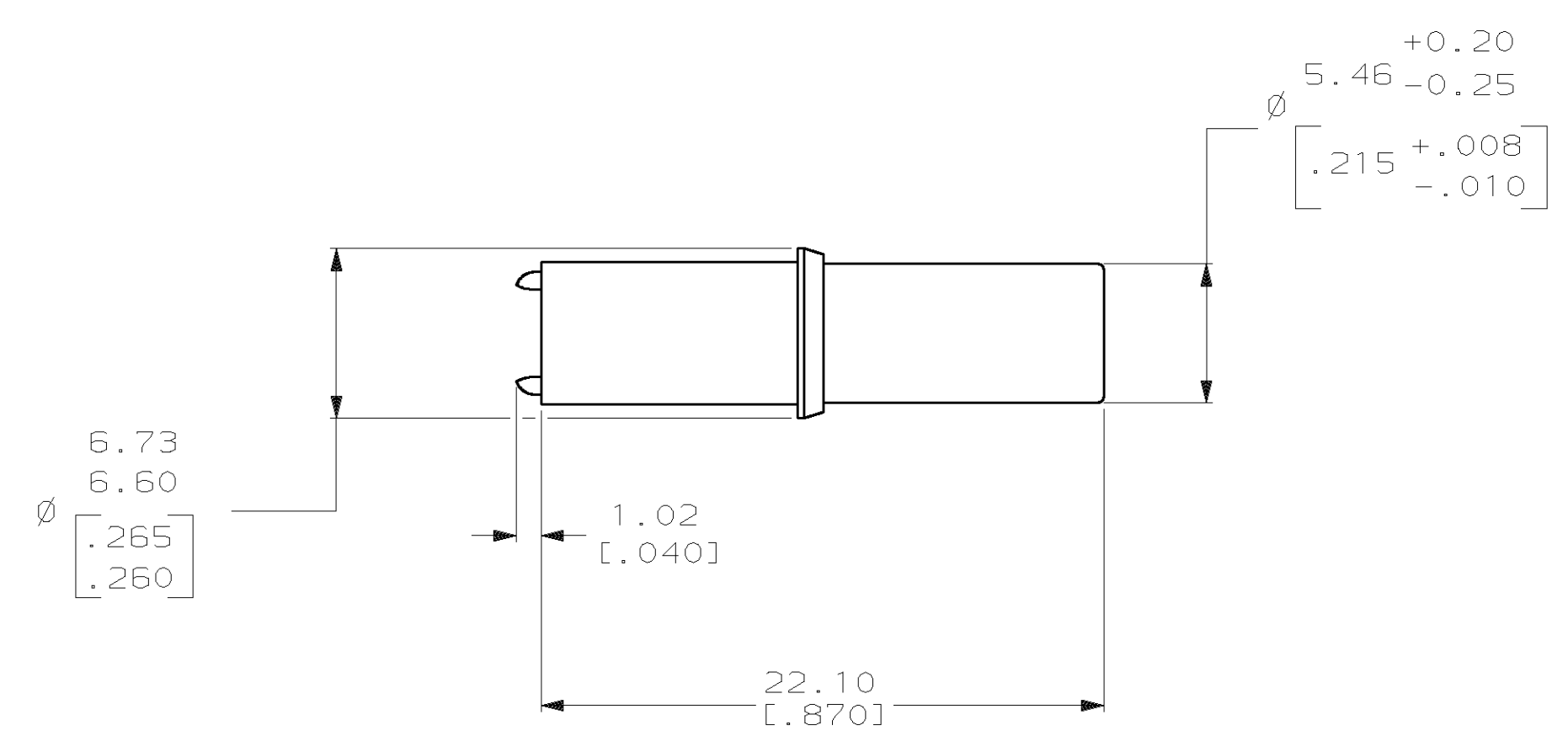
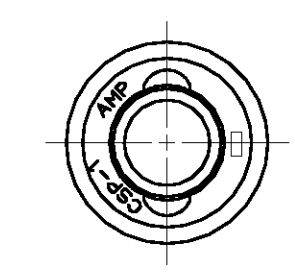
The content and copyrights of the attached
material are the property of its owner.

Jameco Part Number 527013

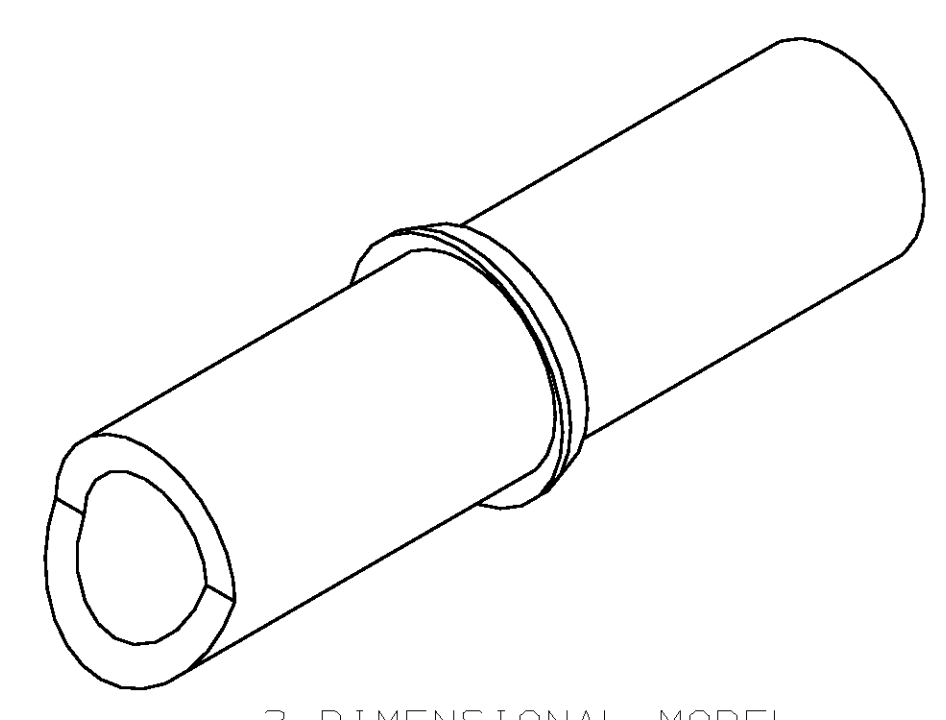
LOC		DIST		P		F		ZONE		LTR		REVISIONS			
CM	53											DESCRIPTION	DATE	APPD	
												J	REVISED PER EC 063B-0150-02	21-MAR-02	KW DC



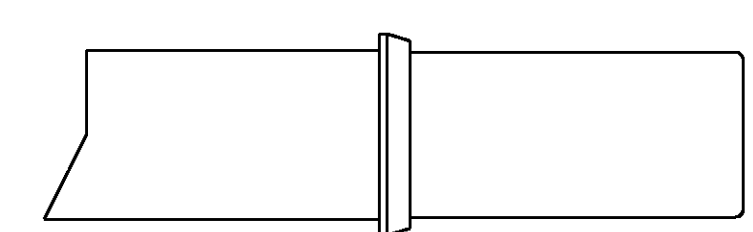
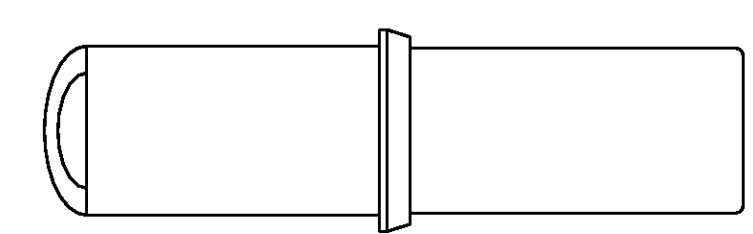
1. TO BE USED WITH APPROPRIATE COMMERCIAL MATE-N-LOK™ SOCKETS.
2. MATES WITH CAP 480350 OR 480351.
3. DIMENSIONS IN BRACKETS ARE IN INCHES.



3-DIMENSIONAL MODEL NTS

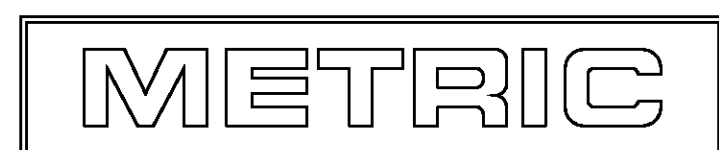


3-DIMENSIONAL MODEL NTS



ALTERNATE CONSTRUCTION (FOR FOREIGN PRODUCTION ONLY)

DO NOT SCALE PRINT. UNLESS SPECIFIED DIMENSIONS IN mm [INCHES]		DR 3-8-94 K. SALMON	AMP Incorporated Harrisburg, PA 17105-3608	
TOLERANCES ON:		CHK 3-8-94 R. SWING	NAME PLUG, SINGLE CIRCUIT, MATE-N-LOK™	
2 PLC DEC ±0.13 (.005)		APPD 3-9-94 C. MARTIN		
3 PLC DEC ± -		APPD 3-9-94 C. MARTIN	SIZE	CAGE CODE
ANGLES ± -		MATERIAL NYLON	D	00779
FINISH		PRODUCT SPEC	DRAWING NO	©-480349
-		APPLICATION SPEC	SCALE	4:1
-		WEIGHT	SHEET 1 OF 1	



THIS DRAWING IS A CONTROLLED DOCUMENT FOR AMP INCORPORATED. IT IS SUBJECT TO CHANGE AND THE CONTROLLING ENGINEERING ORGANIZATION SHOULD BE CONTACTED FOR THE LATEST REVISION.