

Distributed by:

JAMECO[®]
ELECTRONICS

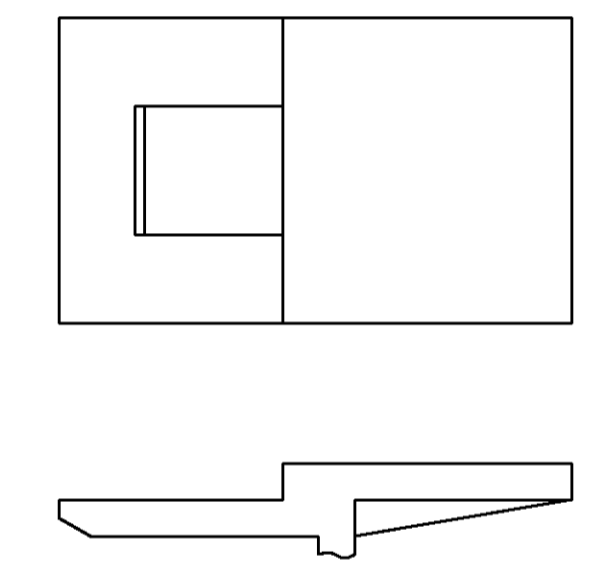
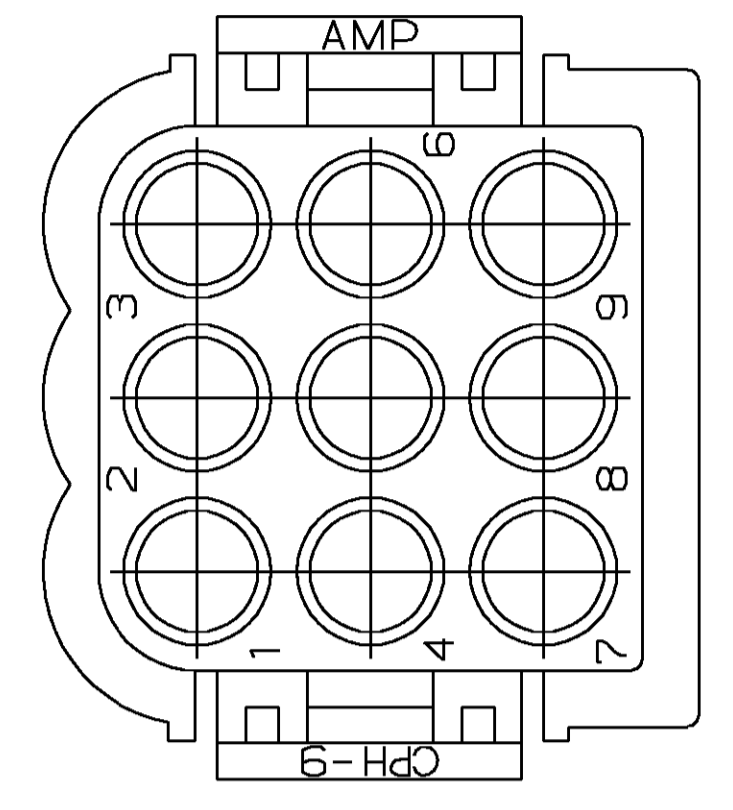
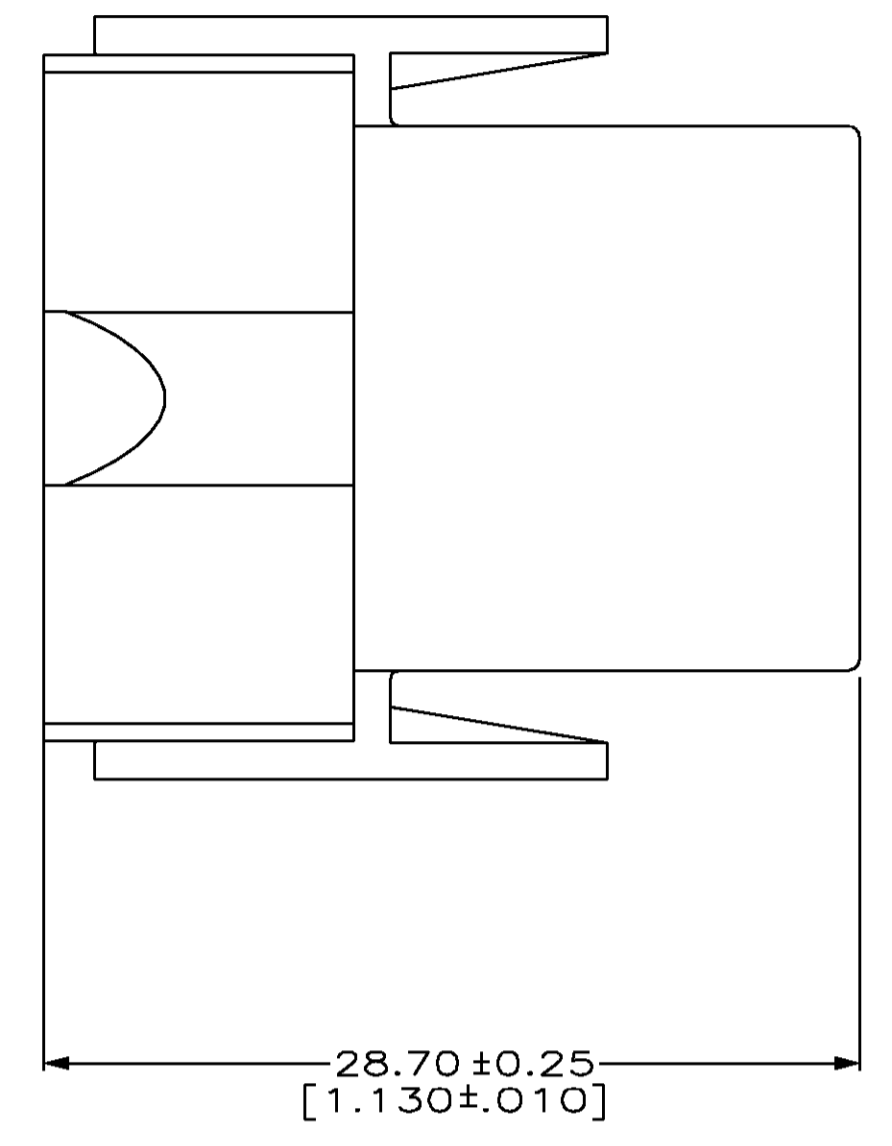
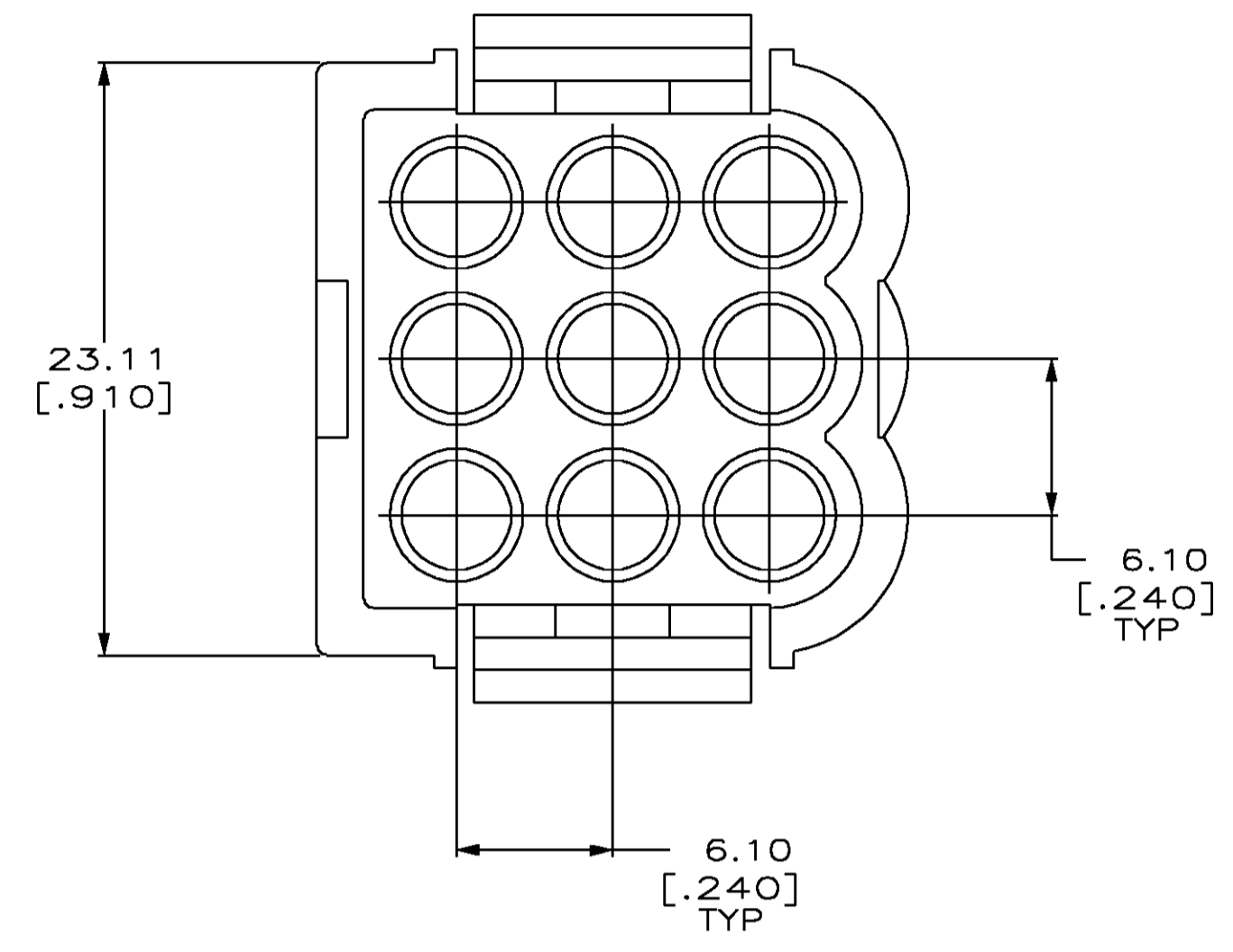
www.Jameco.com ♦ 1-800-831-4242

The content and copyrights of the attached
material are the property of its owner.

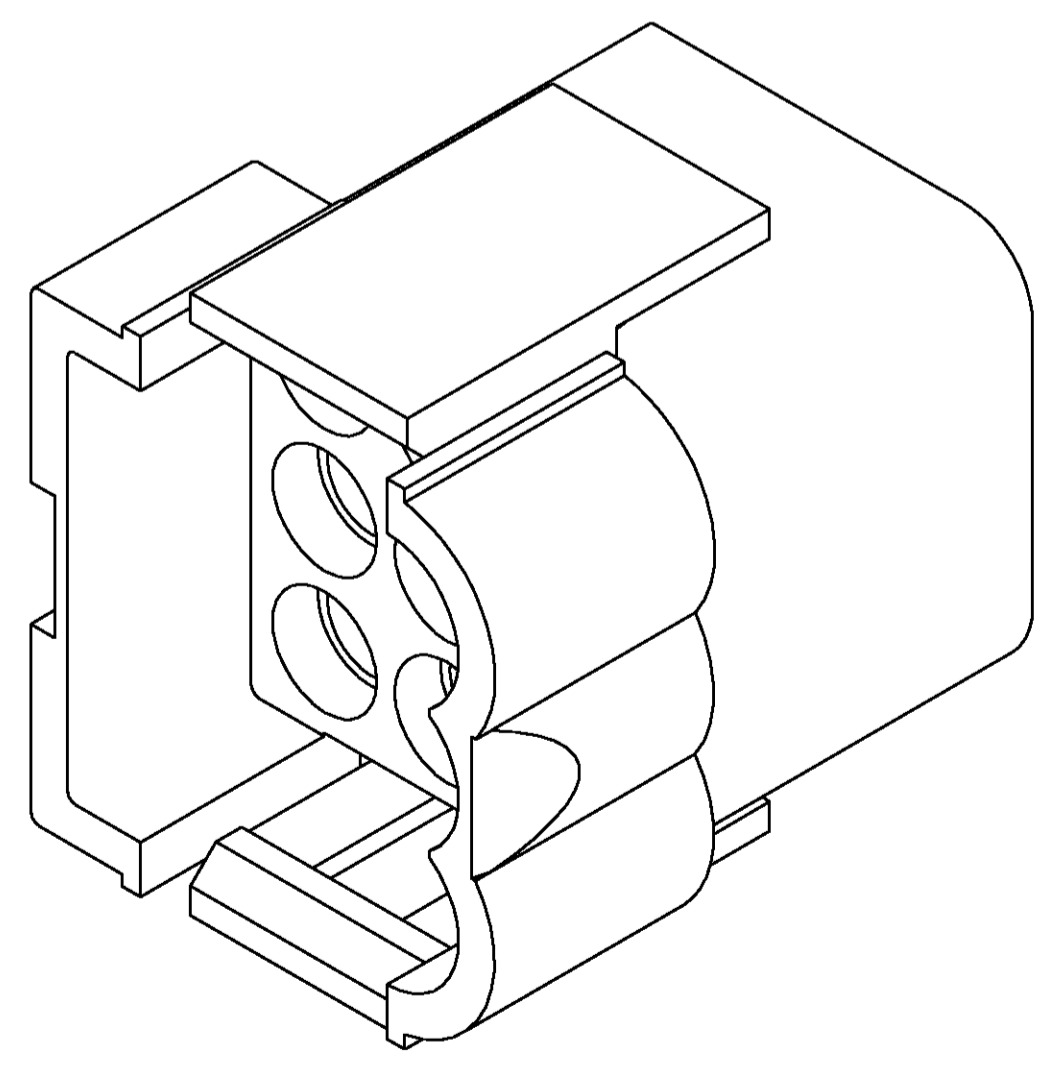
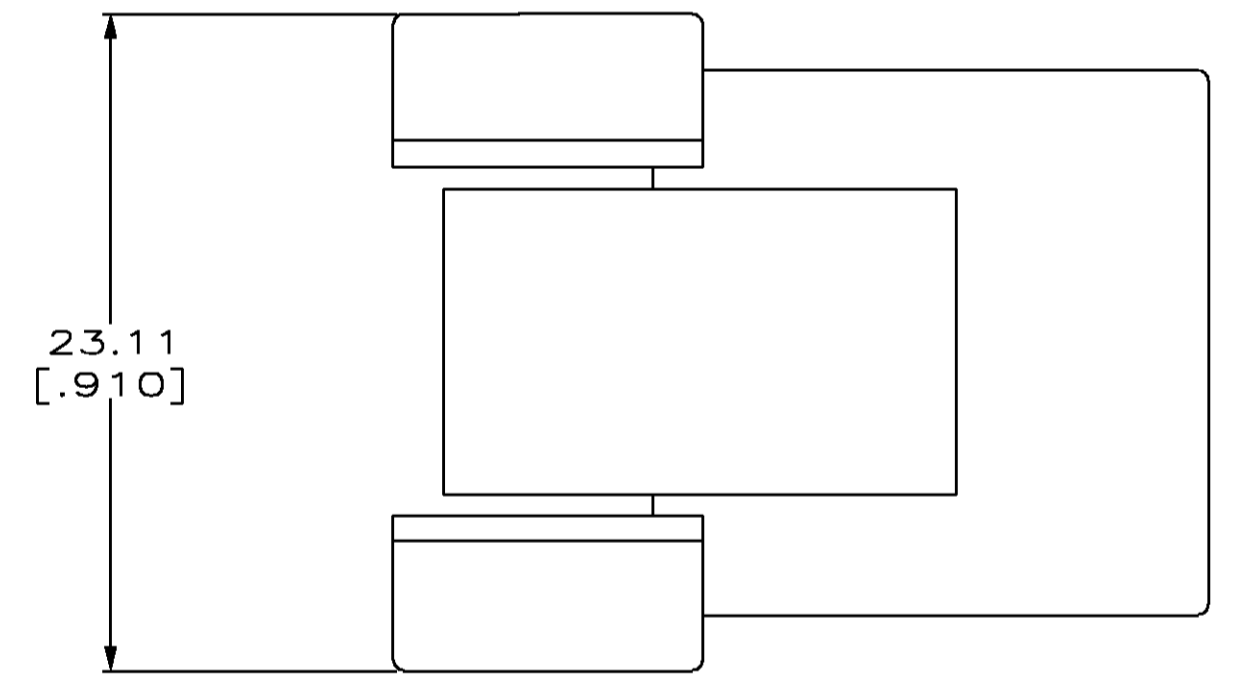
Jameco Part Number 745651

THIS DRAWING IS UNPUBLISHED. RELEASED FOR PUBLICATION
 © COPYRIGHT - BY TYCO ELECTRONICS CORPORATION. ALL RIGHTS RESERVED.

LOC		DIST		REVISIONS				
P	LR	DESCRIPTION	DATE	DRW	APPD			
M		REVISED PER EC 063B-037B-00	25-JUL-00	LM	SR			



OPTIONAL CONSTRUCTION



3-DIMENSIONAL MODEL
NTS

COLOR	PART NUMBER
BLACK	1-480673-9
BLUE	1-480673-6
GREEN	1-480673-5
YELLOW	1-480673-4
ORANGE	1-480673-3
RED	1-480673-2
BROWN	1-480673-1
NATURAL	1-480673-0

METRIC

THIS DRAWING IS A CONTROLLED DOCUMENT. DRW: K. WHITAKER 05-APR-2000
 CHK: S. RIDGILL 05-APR-2000
 APPD: S. RIDGILL 05-APR-2000

Tyco Electronics Corporation
Harrisburg, PA 17105

NAME: S. RIDGILL
 PRODUCT SPEC: CAP
 APPLICATION SPEC: 9 CIRCUIT, .140 MATE-N-LOK™

MATERIAL: NYLON, UL 94V-2
 FINISH: -

WEIGHT: -
 CUSTOMER DRAWING

SIZE: A1
 CAGE CODE: 00779
 DRAWING NO: 480673

RESTRICTED TO: -
 SCALE: 4:1
 SHEET: 1 OF 1
 REV: M