

1-480705-0 Product Details

[Share](#) [Print](#) [Email](#)




1-480705-0

TE Internal Number: 1-480705-0

 Active

[View 3D PDF](#)

.250" Centerline, 600 V, 19 - 36 A max

 Always EU RoHS/ELV Compliant
(Statement of Compliance)

Product Highlights:

- Universal MATE-N-LOK Product Line
- Wire-to-Panel / Wire-to-Wire
- Applies To Panel, Applies To Wire/Cable
- Connector
- Housing

[View all Features](#)

Quick Links

- ▶ [Pricing & Availability](#)
- ▶ [Search for Tooling](#)
- ▶ [View Mating Products \(2\)](#)
- ▶ [View Contacts \(166\)](#)
- ▶ [Product Feature Selector](#)
- ▶ [Contact Us About This Product](#)

[Add to My Part List](#)

[Request Sample](#)

[Find Similar Products](#)

[Buy Product](#)

Documentation & Additional Information

Product Drawings:

- [CAP, 6 CIRCUIT, UNIVERSAL MATE-N-LOK](#) (PDF, English)

Catalog Pages/Data Sheets:

- [SOFT_SHELL_PIN_SOCKET_CONNECTORS_STANDARD_DENSITY](#) (PDF, English)

Product Specifications:

- [Universal MATE-N-LOK* Connector](#) (PDF, English)

Application Specifications:

- [Universal MATE-N-LOK Connectors](#) (PDF, English)

Instruction Sheets:

- [Universal, Commercial, and .140 MATE-N-LOK Contact ...](#) (PDF, English)
- [Universal MATE-N-LOK Connectors](#) (PDF, English)

CAD Files: (CAD Format & Compression Information)

- [2D Drawing](#) (DXF, Version AP)
- [3D Model](#) (IGES, Version AP)
- [3D Model](#) (STEP, Version AP)

[List all Documents](#)

Additional Information:

- [Product Line Information](#)

Related Products:

- [Tooling](#)
- [Mating Products \(2\)](#)
- [Contacts \(166\)](#)

Product Features (Please use the Product Drawing for all design activity)

Product Type Features:

- Product Line = Universal MATE-N-LOK
- Product Type = Connector
- Connector Type = Housing
- Strain Relief = Without
- Sealed = No
- UL File Number = E28476
- CSA File Number = LR 7189

Mechanical Attachment:

- Contact Retention = Without
- Mating Retention Type = Locking Tab
- Panel Mount Retention = With
- Panel Mount Retention Type = Patch and Tabs

Electrical Characteristics:

Configuration Features:

- Number of Positions = 6
- Number of Rows = 2

Industry Standards:

- Agency/Standard = CSA, UL
- [RoHS/ELV Compliance](#) = RoHS compliant, ELV compliant
- [Lead Free Solder Processes](#) = Not relevant for lead free process
- RoHS/ELV Compliance History = Always was RoHS compliant
- VDE Tested = Yes
- UL Rating = Recognized
- CSA Rating = Certified

- Operating Voltage Reference = AC
- Operating Voltage (VAC) = 600

Dimensions:

- Panel Thickness (mm [in]) = 0.76 – 2.29 [0.030 – 0.090]

Body Features:

- Mating Retention = With
- Row-to-Row Spacing (mm [in]) = 6.35 [0.250]
- Assembly Integration Feature = Without

Contact Features:

- Contact Type = Pin or Socket
- Contact Layout = Matrix
- Multiple Contact Types = Without

Housing Features:

- Connector Style = Receptacle
- Centerline (mm [in]) = 6.35 [0.2499]
- Housing Material = Nylon
- Housing Color = Natural
- UL Flammability Rating = UL 94V-2
- Mating Alignment = With
- Mating Alignment Type = Polarization

Environmental:

- Operating Temperature (°C [°F]) = -55 – +125 [-67 – +257]

Conditions for Usage:

- Applies To = Panel, Wire/Cable
- Glow Wire Rating = Standard Part - Not Glow Wire
- For Use With = Appropriate Universal MATE-N-LOK Plug

Operation/Application:

- Application Use = Wire-to-Panel / Wire-to-Wire

Packaging Features:

- Packaging Method = Package
- Packaging Quantity = 1

Other:

- Brand = AMP

Corporate Information

- [About TE](#)
- [Investors](#)
- [News Room](#)
- [Supplier Portal](#)
- [Careers](#)
- [Terms & Conditions](#)
- [Privacy Policy](#)

Quick Links

- [Distributor Inventory](#)
- [Product Cross Reference](#)
- [Documents & Drawings](#)
- [Product Compliance Support Center](#)
- [Site Map](#)

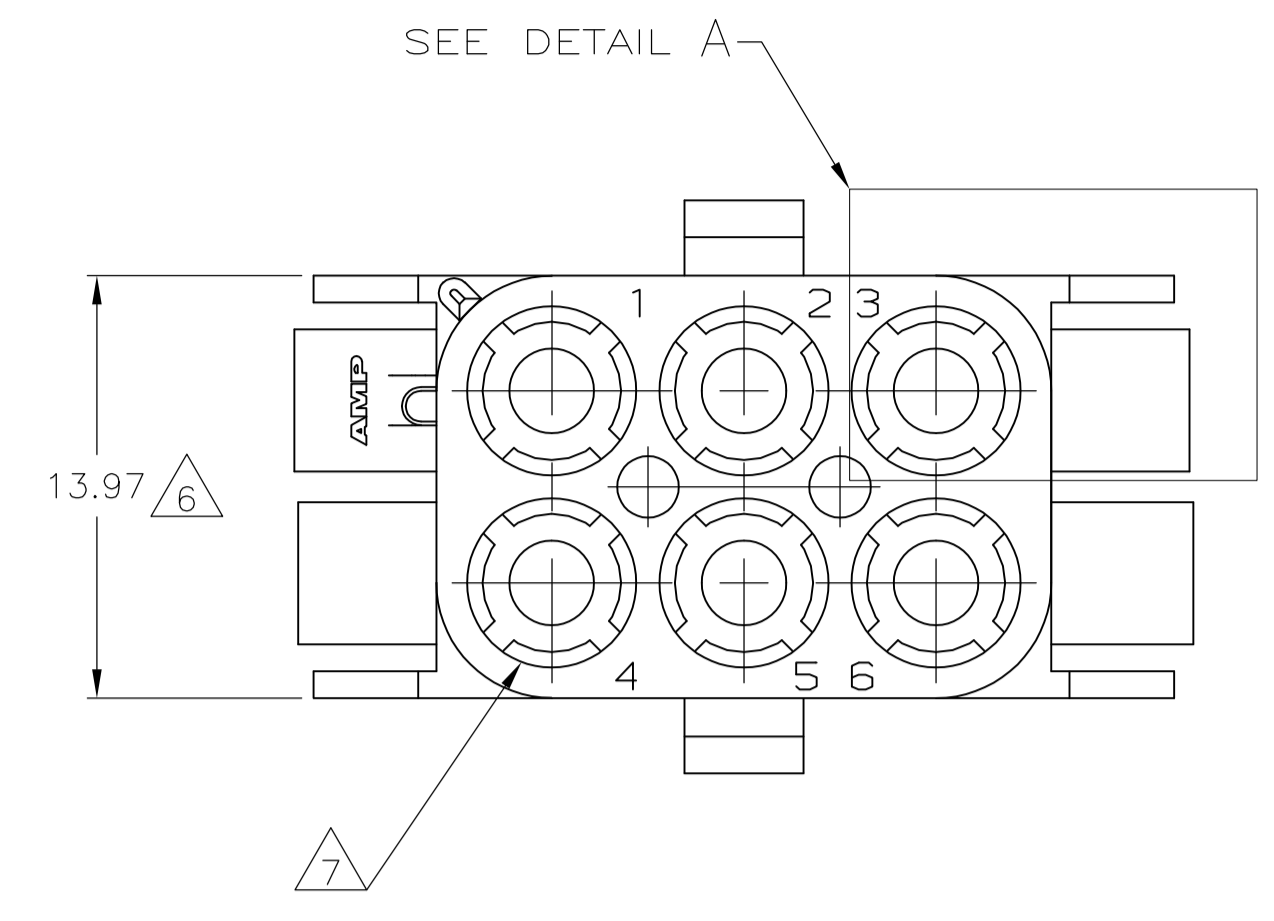
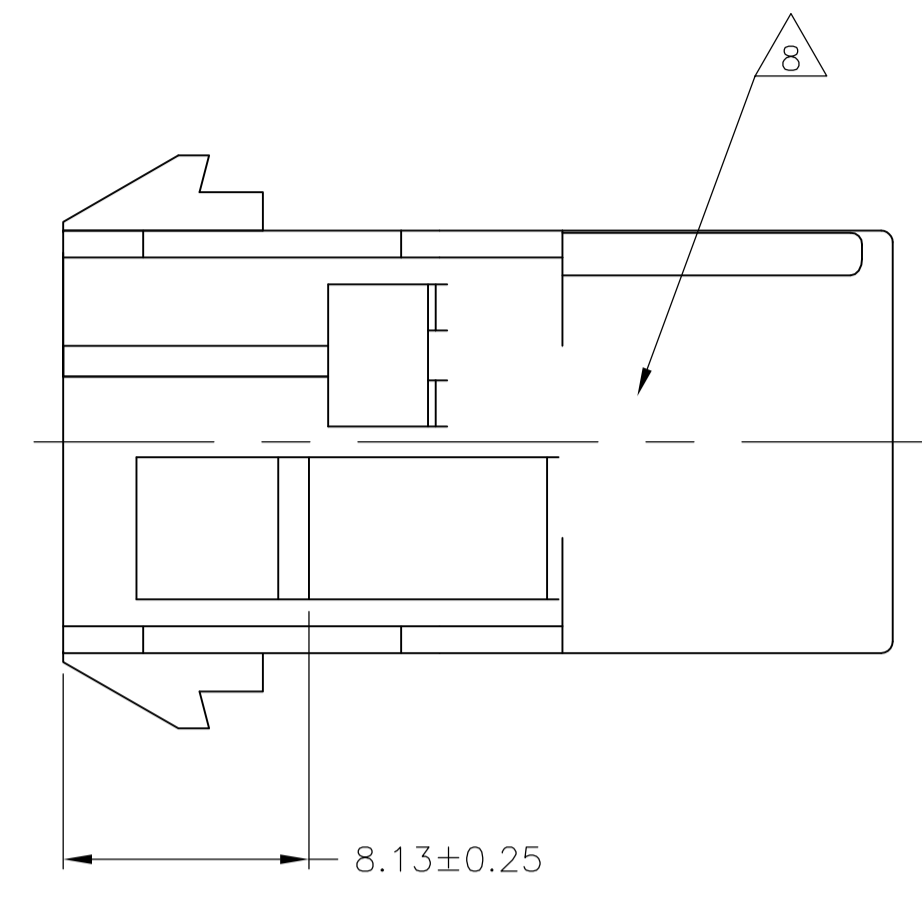
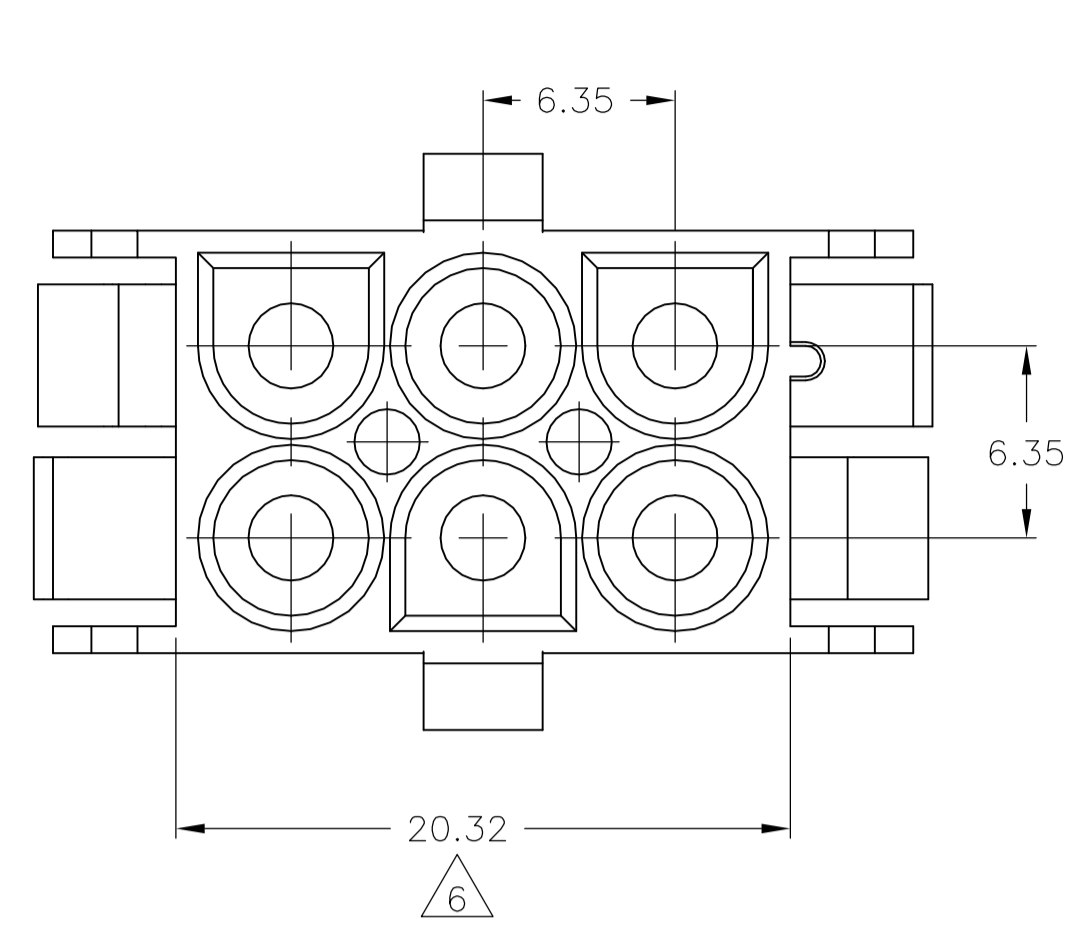
Customer Support

- [Email or Chat With Us](#)
- [Find a Phone Number](#)
- [Knowledge Base](#)
- [Manage Your Account](#)

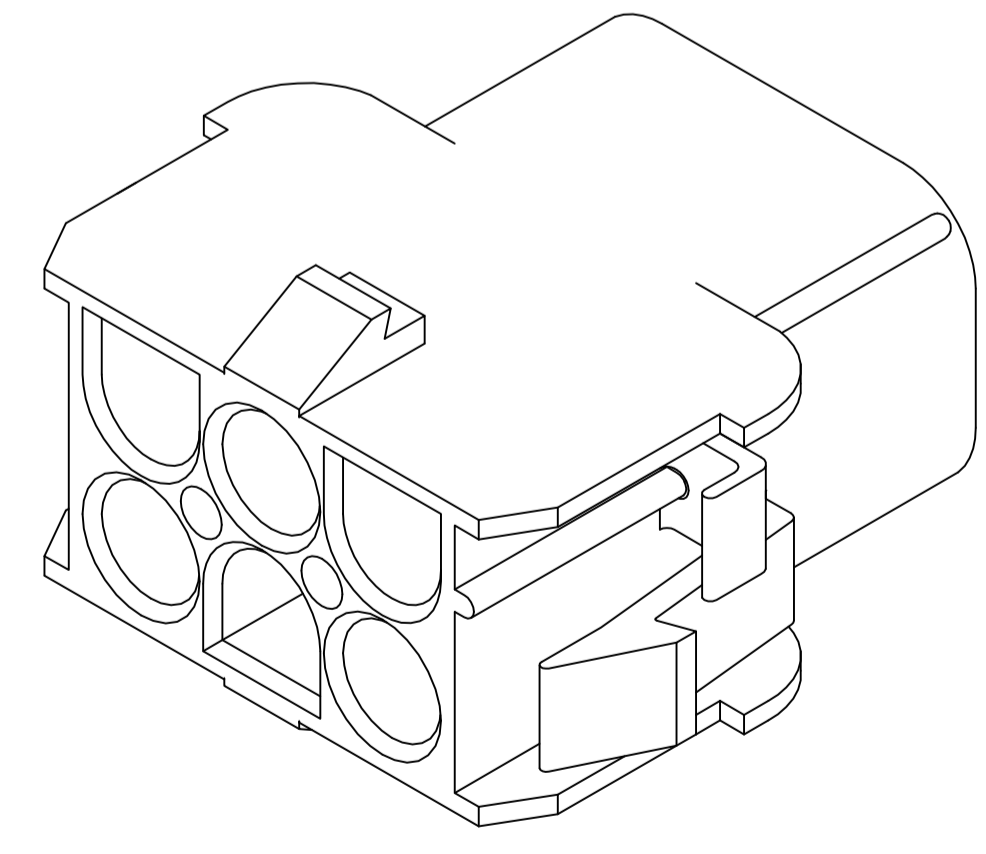
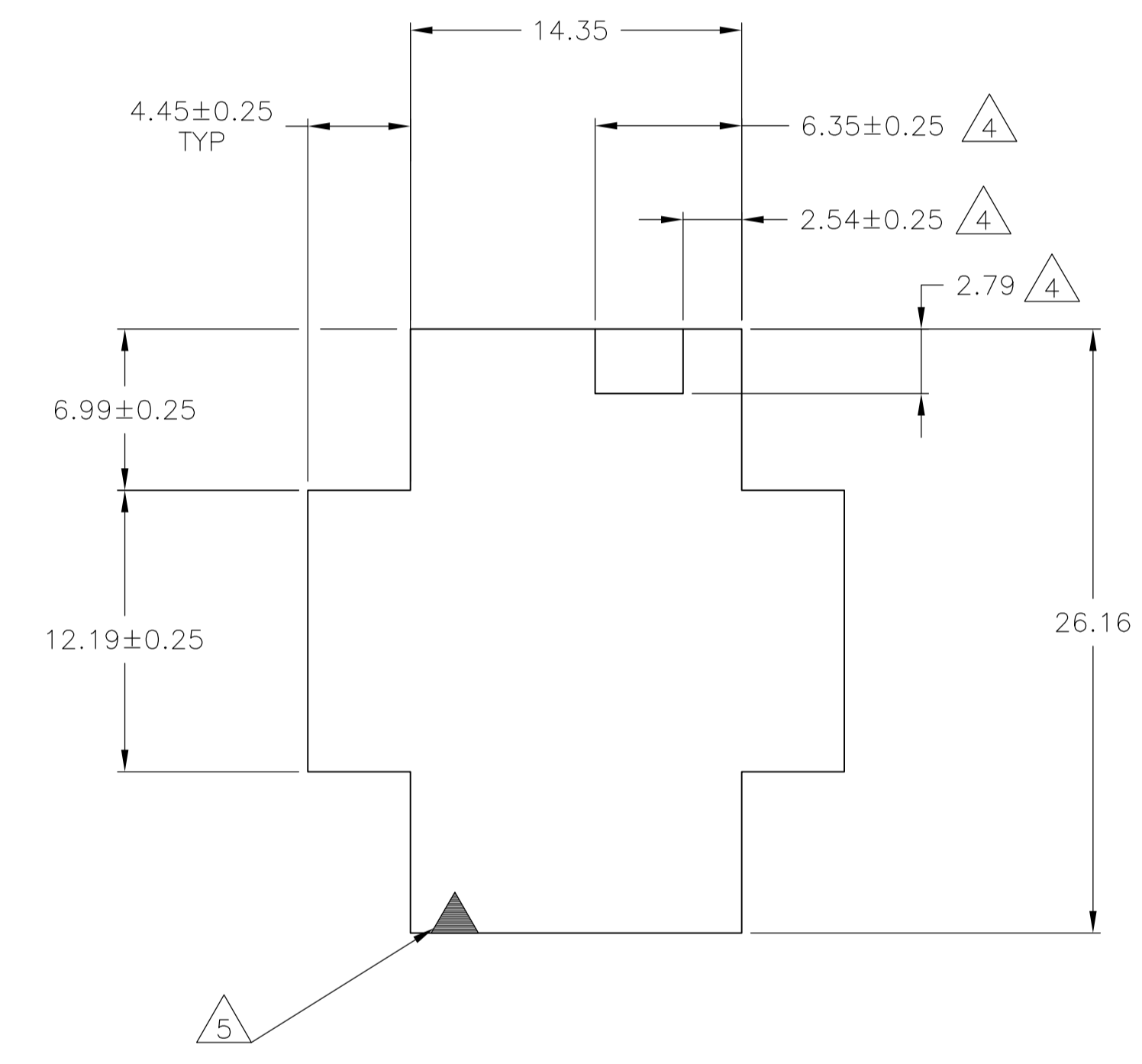
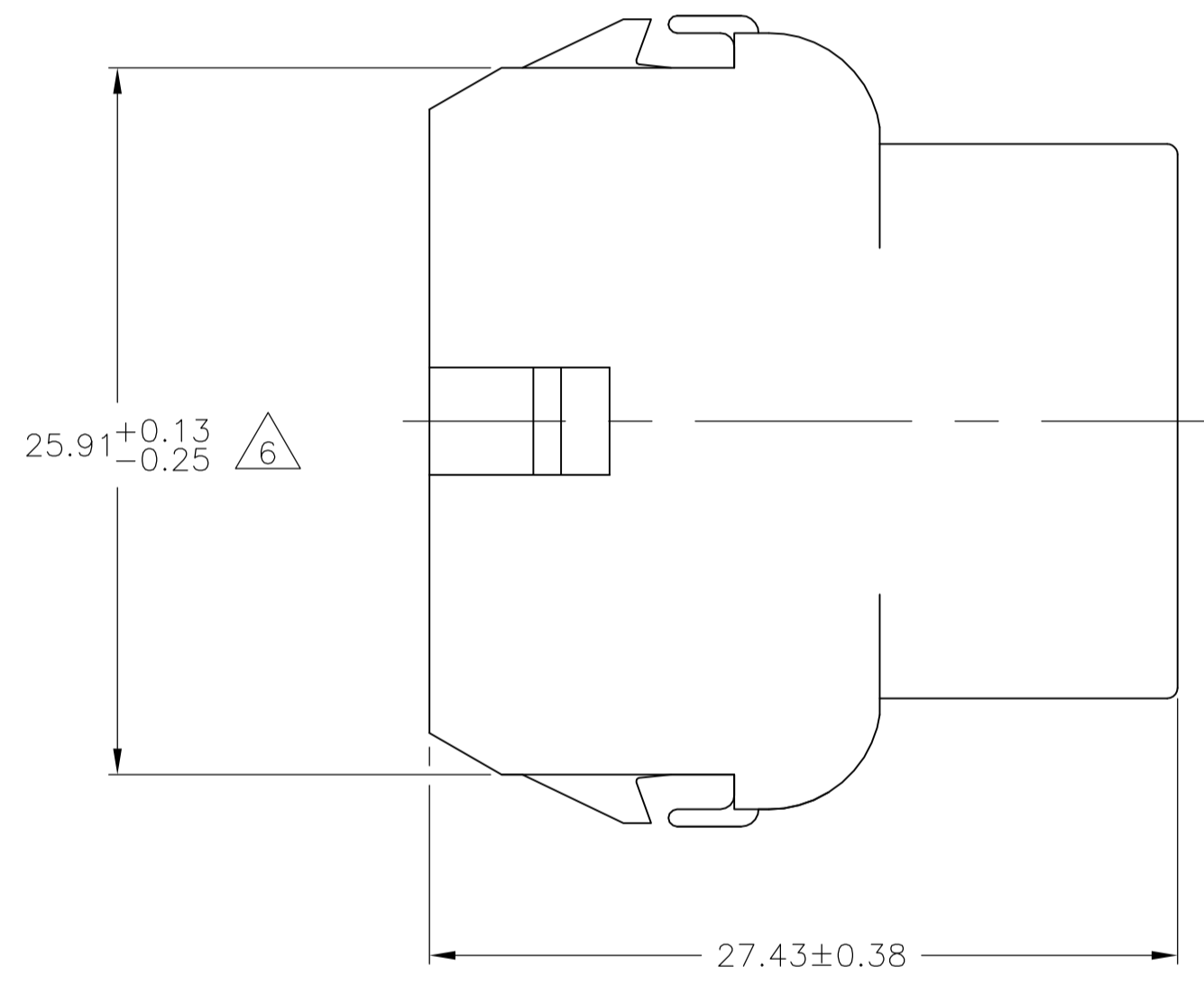
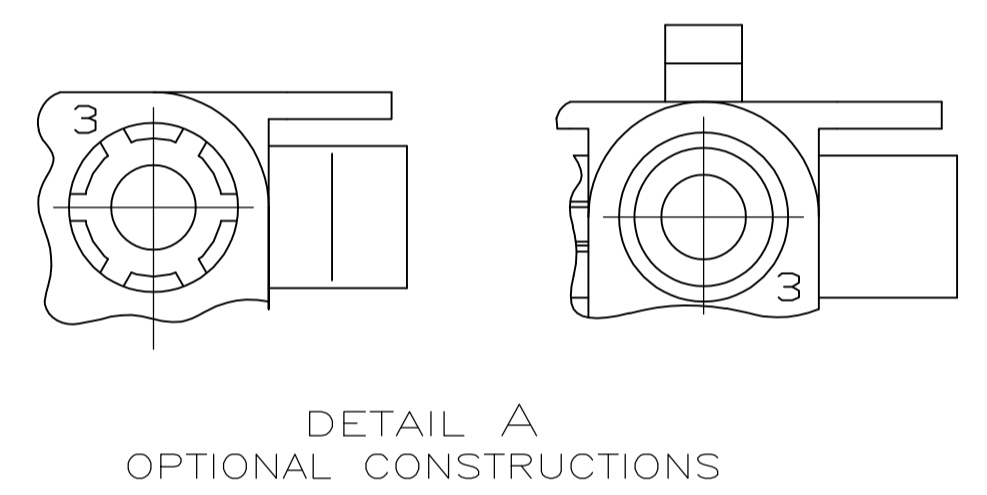
Keep Me Informed



LOC		DIST		REVISIONS			
CM	00	REV	DATE	BY	CHK	APPV	
AP3	REVISED PER ECR-11-020221		10OCT11	KH		TM	



- 1 MATES WITH APPROPRIATE UNIVERSAL MATE-N-LOK™ PLUG.
- 2 RECOMMENDED PANEL THICKNESS 0.76 - 2.29.
- 3 PANEL MUST BE PUNCHED SO THAT THE HOUSING ENTERS THE PANEL IN THE SAME DIRECTION AS THE PUNCH.
- 4 OPTIONAL FOR KEYING HOUSING IN PANEL.
- 5 CIRCUIT NUMBER 1 LOCATION.
- 6 DIMENSION INDICATED IS AS MOLDED. ADDITIONAL GROWTH DUE TO SUBSEQUENT MOISTURE ABSORPTION MAY OCCUR.
- 7 FOUR RIBS EQUALLY SPACED, NO SPECIFIC ORIENTATION. NO RIBS OR SIX RIBS EQUALLY SPACED, NO SPECIFIC ORIENTATION, OPTIONAL.
- 8 UNDERWRITERS RECOGNIZED COMPONENT LOGO AND CSA CERTIFICATION LOGO TO BE LOCATED ONCE EACH ON SIDE OF HOUSING.
- 9 OBSOLETE PARTS: OBSOLETE CIS STREAMLINING PER D.RENAUD/D.SINISI

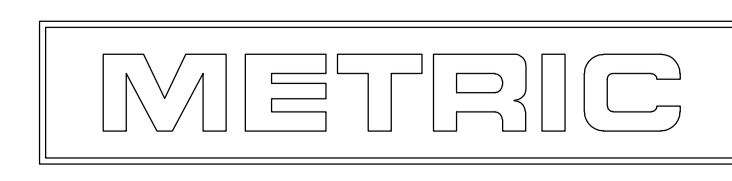


3-DIMENSIONAL MODEL NTS

MM	IN	MM	IN
6.35	.250	27.43	1.080
4.45	.175	26.16	1.030
2.79	.110	25.91	1.020
2.54	.100	20.32	.800
2.29	.090	14.35	.565
0.76	.030	13.97	.550
0.38	.015	12.19	.480
0.25	.010	8.13	.320
0.13	.005	6.99	.275
MM	IN	MM	IN

CONVERSION TABLE

	BLACK	1-480705-9
	GREY	1-480705-8
	BLUE	1-480705-6
	GREEN	1-480705-5
	YELLOW	1-480705-4
	ORANGE	1-480705-3
	RED	1-480705-2
	BROWN	1-480705-1
	NATURAL	1-480705-0
	COLOR	PART NUMBER

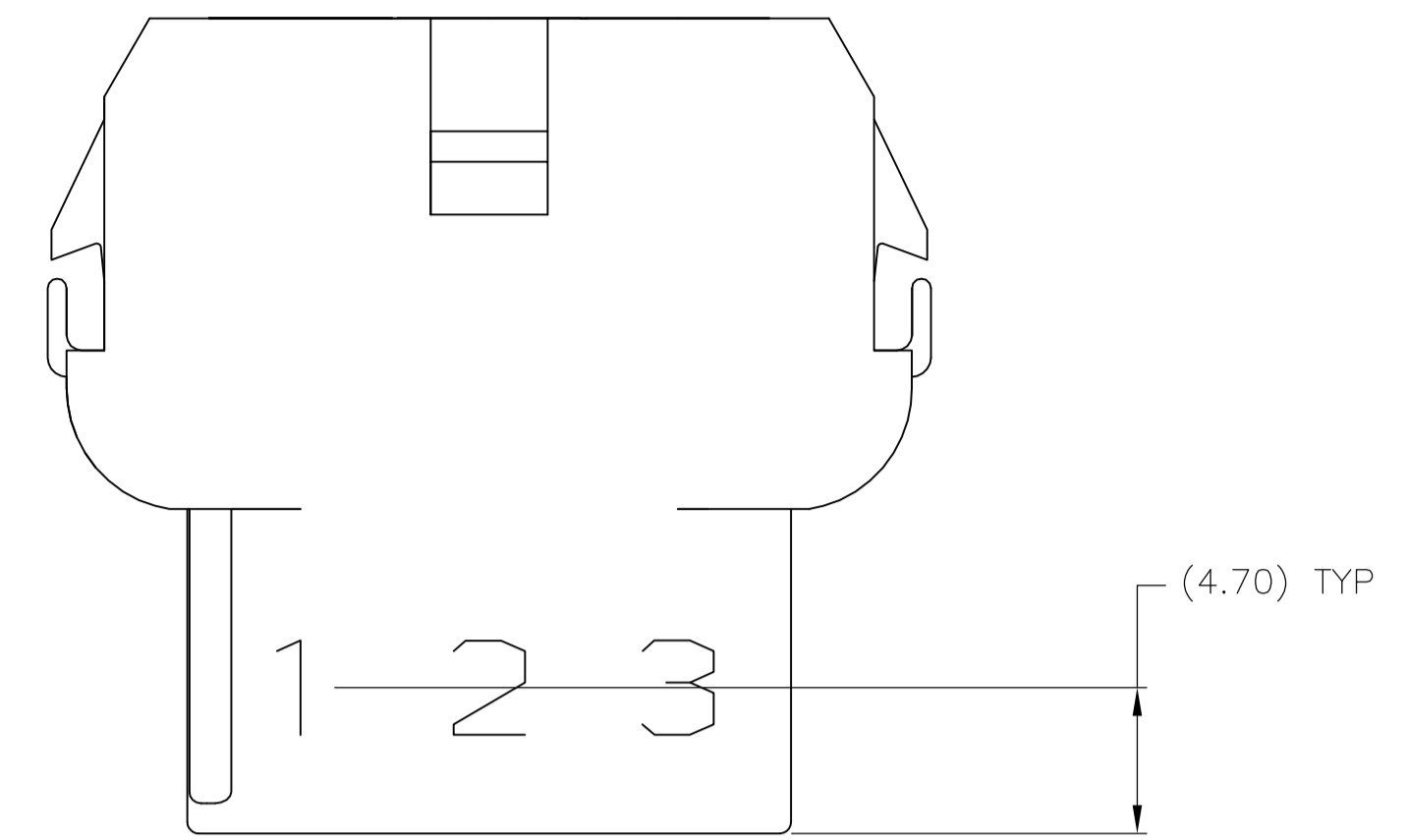


THIS DRAWING IS A CONTROLLED DOCUMENT.

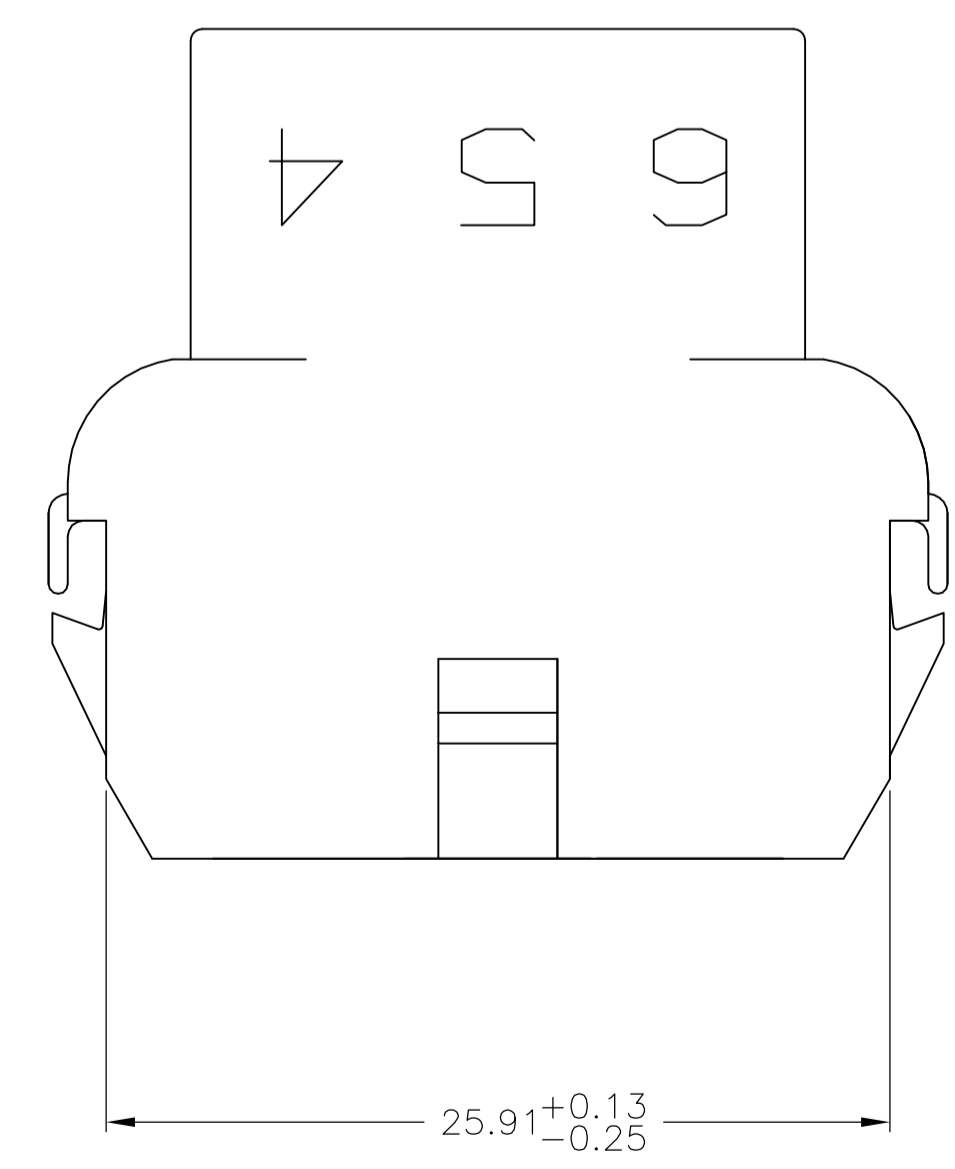
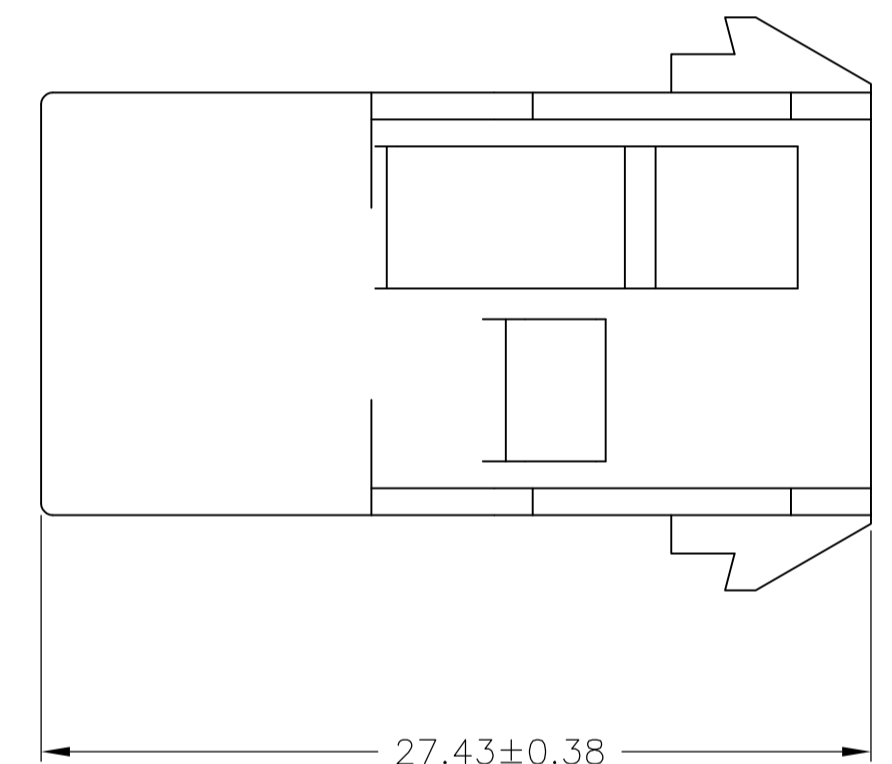
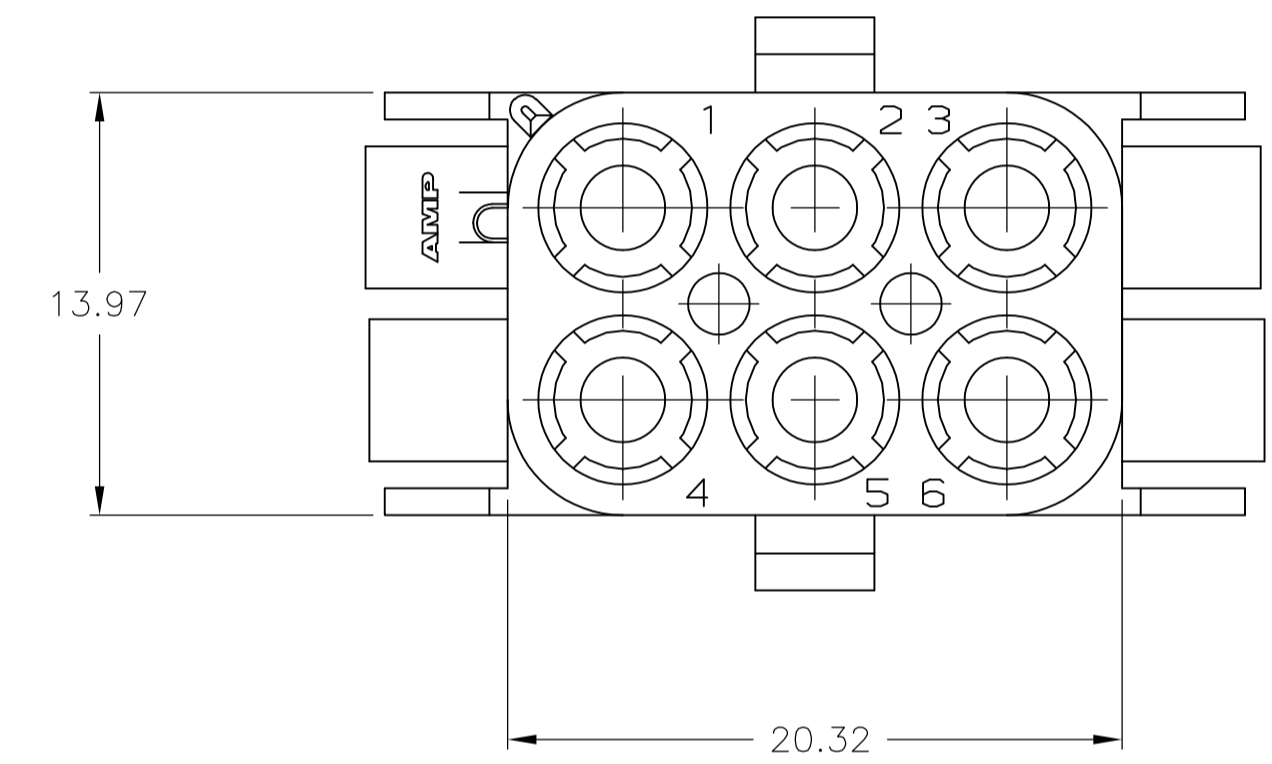
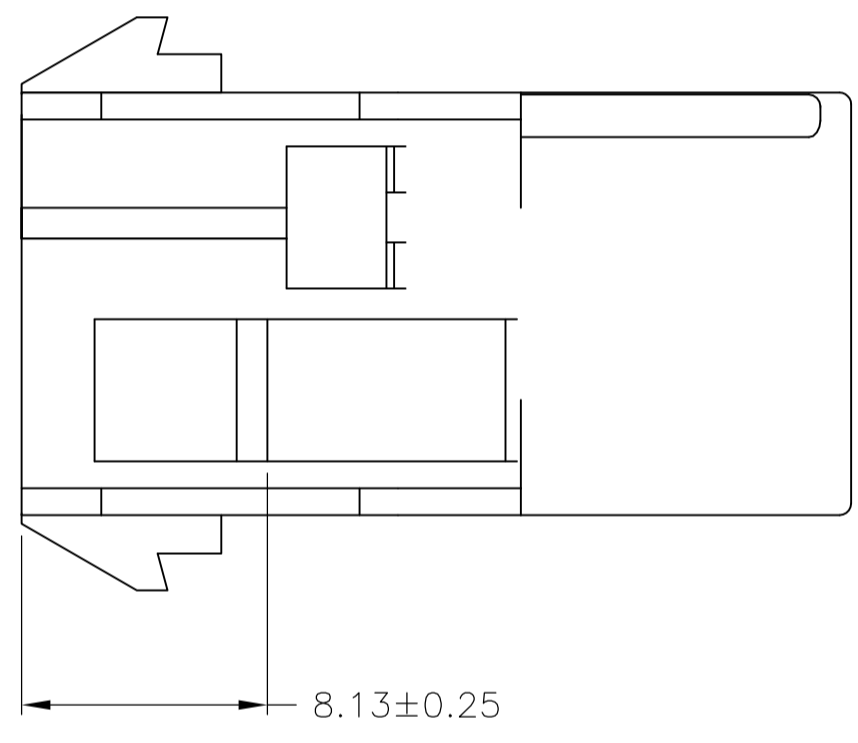
DIMENSIONS: mm	TOLERANCES UNLESS OTHERWISE SPECIFIED:	DWG: K. WHITAKER 28JUL04	CHK: S. RIDGILL 28JUL04	APPV: S. RIDGILL 28JUL04	NAME: CAP. 6 CIRCUIT, UNIVERSAL MATE-N-LOK™
0.13	± .01	0.25	± .01	0.50	± .01
0.25	± .01	1.27	± .01	2.54	± .01
ANGLES	± 0°30'				
MATERIAL: NYLON, UL94V-2	FINISH: -	WEIGHT: -	SIZE: A1	SCALE: 4:1	SHEET: 1 OF 2

CUSTOMER DRAWING

LOC		DIST		REVISIONS				
CM	00	PL	LTR	DESCRIPTION	DATE	DN	APVD	
-	-	-	-	SEE SHEET 1	-	-	-	



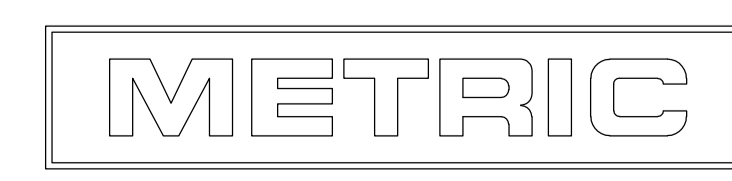
- 1 STAMP NUMBERS 3.18 HIGH AT WIRE END OF HOUSING (12 POINT DAVID TYPE); CLARIFICATION MARKS UNDER THE 6 & 9.
- 2 CHARACTERS TO BE STAMPED ON HOUSING IN A MANNER AS TO BE READ FROM WIRE END ONLY.
- 3 VIOLET, BLACK, BROWN, AND BLUE COLORED BLOCKS TO BE STAMPED WITH WHITE CHARACTERS. ALL OTHER COLORED BLOCKS TO BE STAMPED WITH BLACK CHARACTERS.



MM	IN	MM	IN
5.08	.200	-	-
4.70	.185	27.43	1.080
3.18	.125	25.91	1.020
0.38	.015	20.32	.800
0.25	.010	13.97	.550
0.13	.005	8.13	.320

CONVERSION TABLE

NATURAL	2-480705-0
COLOR	PART NO.



THIS DRAWING IS A CONTROLLED DOCUMENT.

DIMENSIONS: mm	TOLERANCES UNLESS OTHERWISE SPECIFIED:	DIN K. WHITAKER 28JUL04	CHK S. RIDGILL 28JUL04	APVD S. RIDGILL 28JUL04	NAME	
0. PLC ± -	1. PLC ± -	2. PLC ± 0.127	3. PLC ± -	4. PLC ± -	ANGLES ± 0°30'	
MATERIAL	FINISH	WEIGHT	SIZE	CAGE CODE	DRAWING NO.	RESTRICTED TO
-	-	-	A1	00779	480705	-

CUSTOMER DRAWING SCALE 4:1 SHEET 2 OF 2 REV AP3

TE Connectivity
 CAP.
 6 CIRCUIT.
 UNIVERSAL MATE-N-LOK™