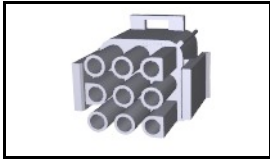


1-480706-0 Product Details

[Share](#) [Print](#) [Email](#)




1-480706-0

TE Internal Number: 1-480706-0

 Active

[View 3D PDF](#)

.250" Centerline, 600 V, 19 - 36 A max

 Always EU RoHS/ELV Compliant
(Statement of Compliance)

Product Highlights:

- Universal MATE-N-LOK Product Line
- Wire-to-Wire
- Applies To Wire/Cable
- Connector
- Housing

[View all Features](#)

Quick Links

- ▶ [Pricing & Availability](#)
- ▶ [Search for Tooling](#)
- ▶ [View Mating Products \(11\)](#)
- ▶ [View Contacts \(166\)](#)
- ▶ [Product Feature Selector](#)
- ▶ [Contact Us About This Product](#)

[Add to My Part List](#)

[Request Sample](#)

[Find Similar Products](#)

[Buy Product](#)

Documentation & Additional Information

Product Drawings:

- [PLUG, 9 CIRCUIT, UNIVERSAL MATE-N-LOK \(PDF, English\)](#)

Catalog Pages/Data Sheets:

- [SOFT_SHELL_PIN_SOCKET_CONNECTORS_STANDARD_DENSITY \(PDF, English\)](#)

Product Specifications:

- [Universal MATE-N-LOK* Connector \(PDF, English\)](#)

Application Specifications:

- [Universal MATE-N-LOK Connectors \(PDF, English\)](#)

Instruction Sheets:

- [Universal, Commercial, and .140 MATE-N-LOK Contact ... \(PDF, English\)](#)
- [Universal MATE-N-LOK Connectors \(PDF, English\)](#)

CAD Files: (CAD Format & Compression Information)

- [2D Drawing \(DXF, Version AK\)](#)
- [3D Model \(IGES, Version AK\)](#)
- [3D Model \(STEP, Version AK\)](#)

[List all Documents](#)

Additional Information:

- [Product Line Information](#)

Related Products:

- [Tooling](#)
- [Mating Products \(11\)](#)
- [Contacts \(166\)](#)

Product Features (Please use the Product Drawing for all design activity)

Product Type Features:

- Product Line = Universal MATE-N-LOK
- Product Type = Connector
- Connector Type = Housing
- Strain Relief = With
- Sealed = No
- UL File Number = E28476

Mechanical Attachment:

- Contact Retention = Without
- Mating Retention Type = Latching

Electrical Characteristics:

- Operating Voltage Reference = AC
- Operating Voltage (VAC) = 600

Configuration Features:

- Number of Positions = 9
- Number of Rows = 3

Industry Standards:

- Agency/Standard = UL
- [RoHS/ELV Compliance](#) = RoHS compliant, ELV compliant
- [Lead Free Solder Processes](#) = Not relevant for lead free process
- RoHS/ELV Compliance History = Always was RoHS compliant
- VDE Tested = Yes
- UL Rating = Recognized

Environmental:

Body Features:

- Mating Retention = With
- Row-to-Row Spacing (mm [in]) = 6.35 [0.250]
- Assembly Integration Feature = Without

Contact Features:

- Contact Type = Pin or Socket
- Contact Layout = Matrix
- Multiple Contact Types = Without

Housing Features:

- Connector Style = Plug
- Centerline (mm [in]) = 6.35 [0.2499]
- Housing Material = Nylon
- Housing Color = Natural
- UL Flammability Rating = UL 94V-2
- Mating Alignment = With
- Mating Alignment Type = Polarization

- Operating Temperature (°C [°F]) = -55 - +125 [-67 - +257]

Conditions for Usage:

- Applies To = Wire/Cable
- Glow Wire Rating = Standard Part - Not Glow Wire
- For Use With = Appropriate Universal MATE-N-LOK Cap or Header

Operation/Application:

- Application Use = Wire-to-Wire

Packaging Features:

- Packaging Method = Package
- Packaging Quantity = 1

Other:

- Brand = AMP

Corporate Information

[About TE](#)
[Investors](#)
[News Room](#)
[Supplier Portal](#)
[Careers](#)
[Terms & Conditions](#)
[Privacy Policy](#)

Quick Links

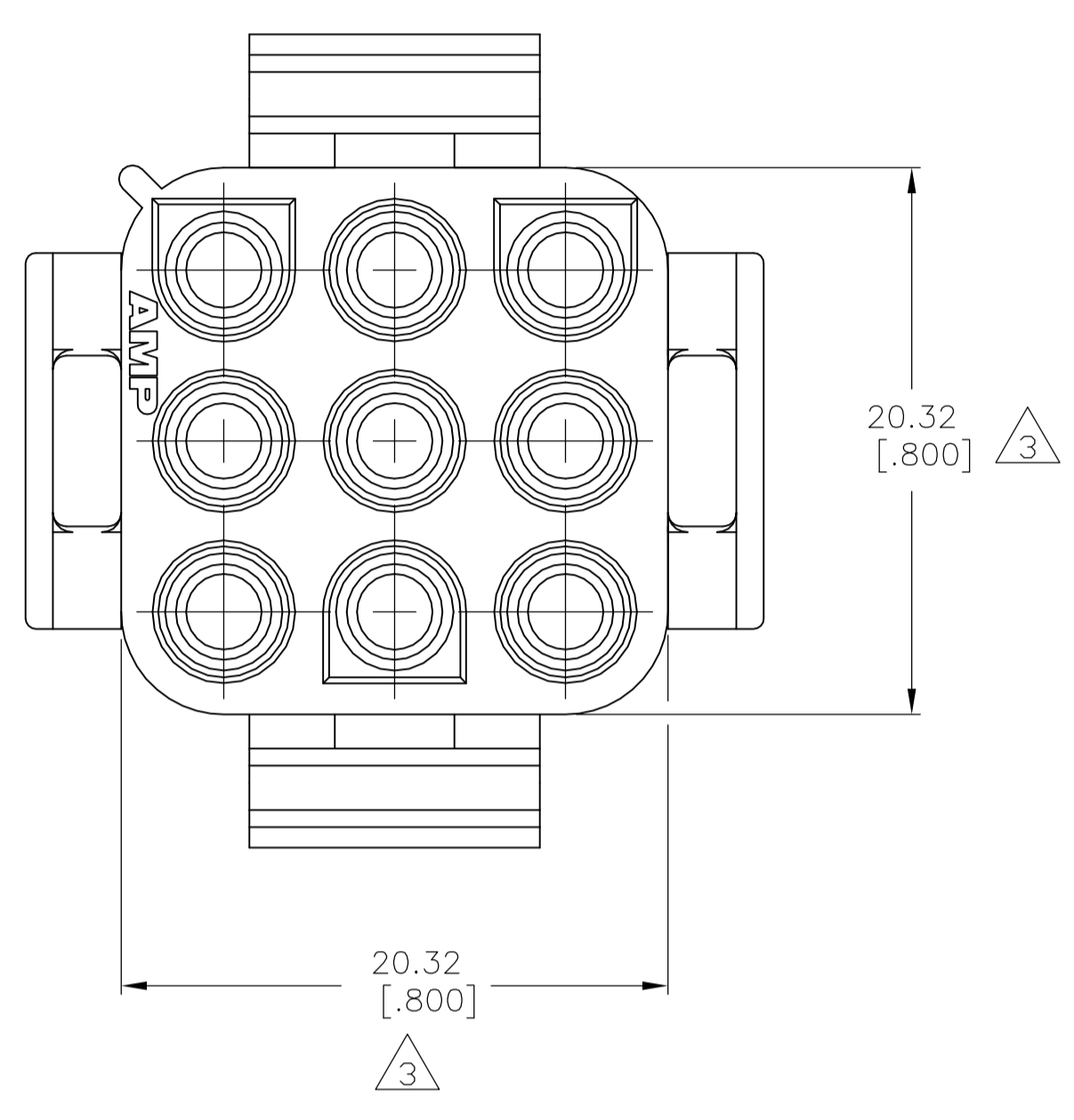
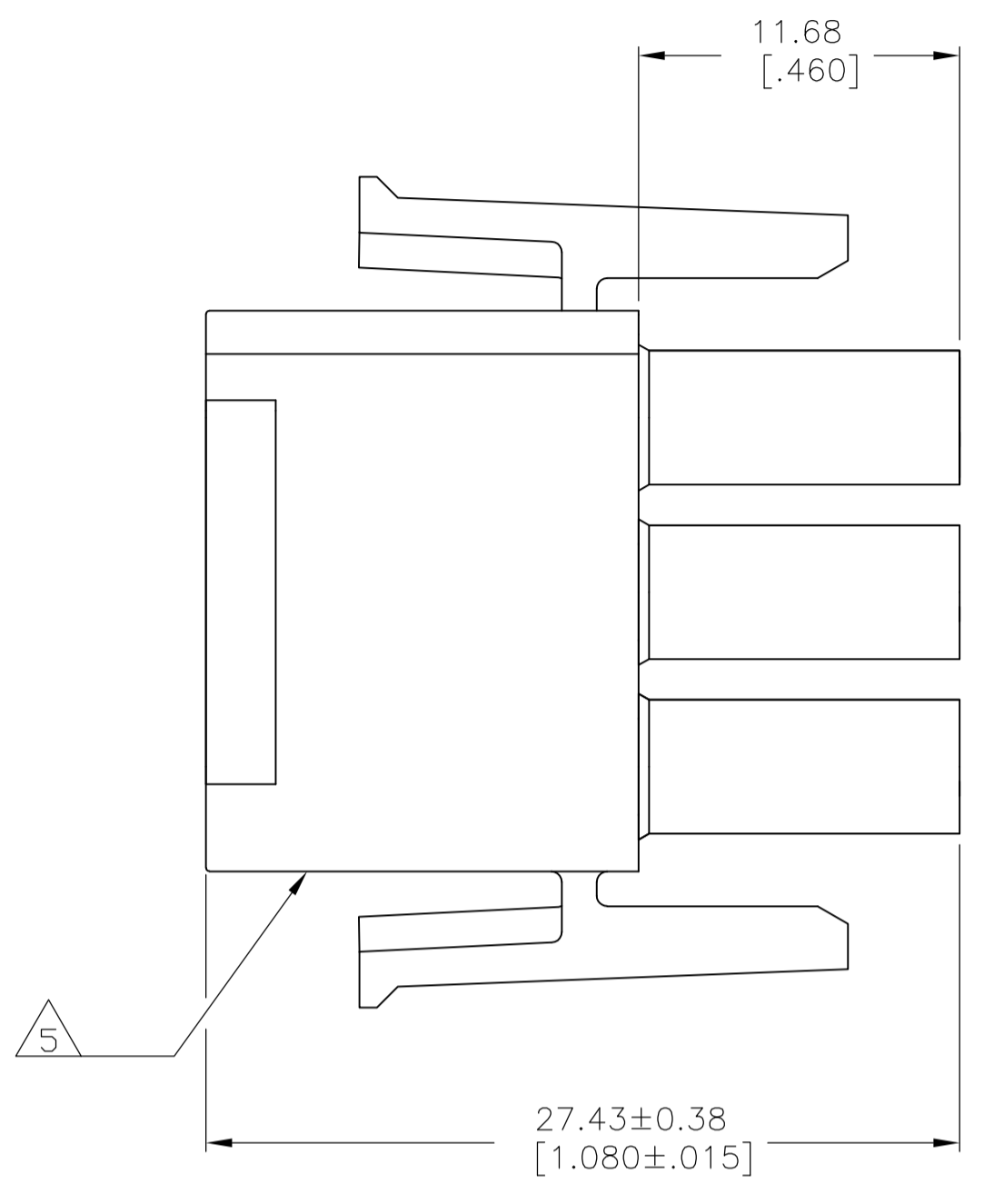
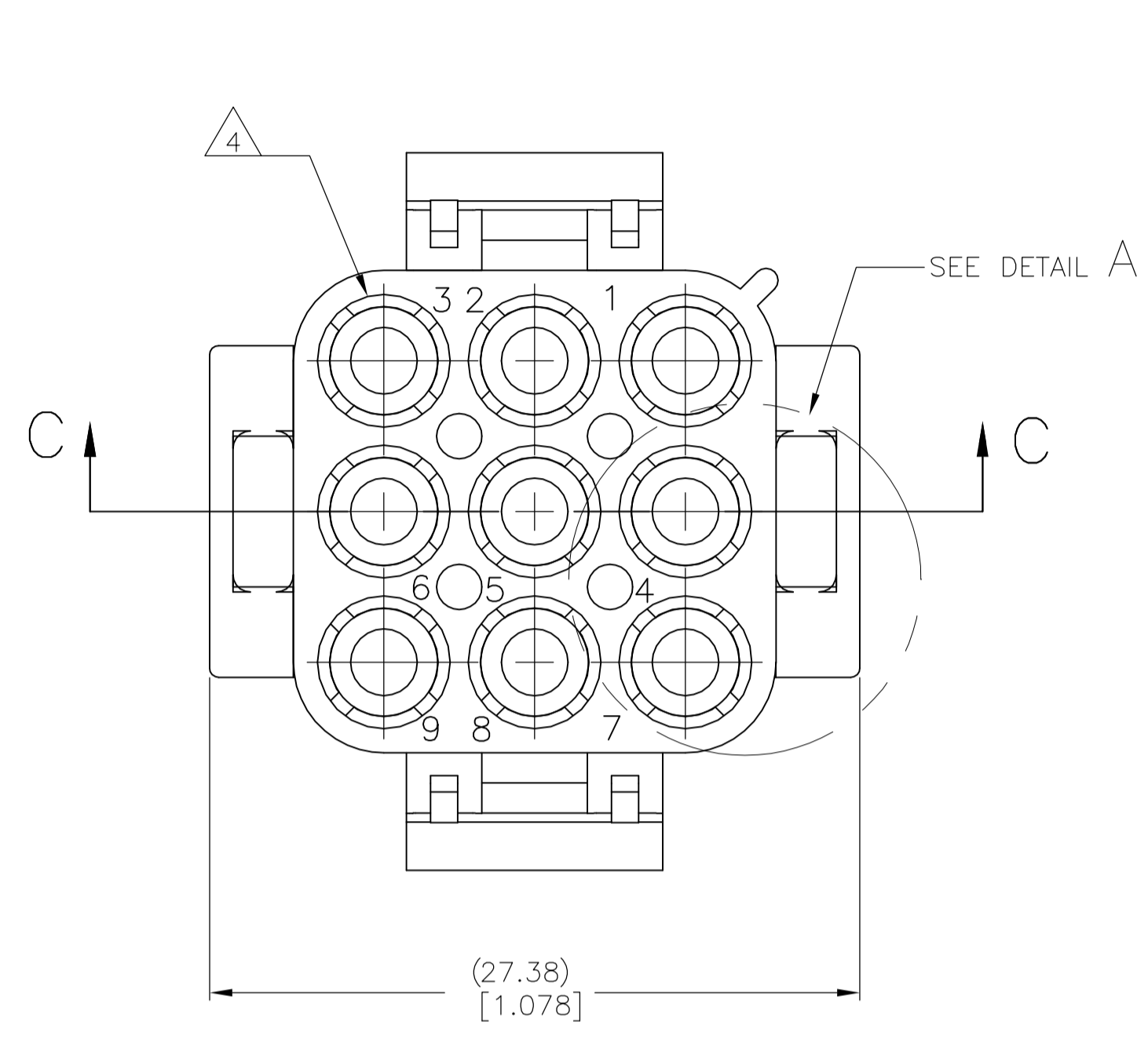
[Distributor Inventory](#)
[Product Cross Reference](#)
[Documents & Drawings](#)
[Product Compliance Support Center](#)
[Site Map](#)

Customer Support

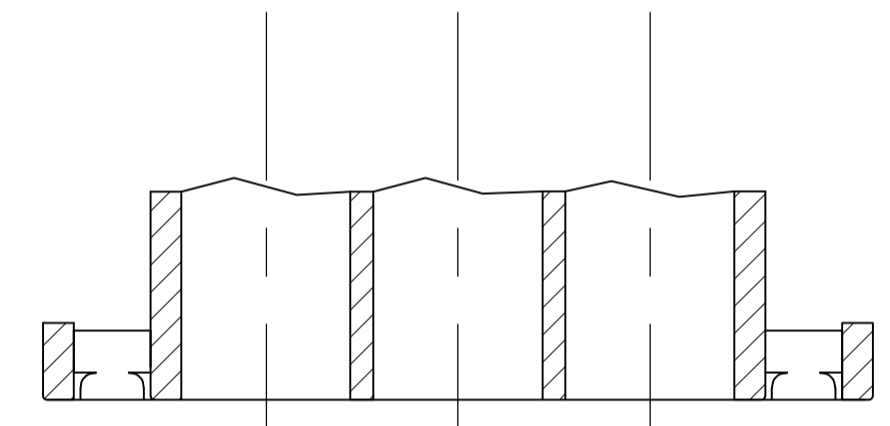
[Email or Chat With Us](#)
[Find a Phone Number](#)
[Knowledge Base](#)
[Manage Your Account](#)

Keep Me Informed

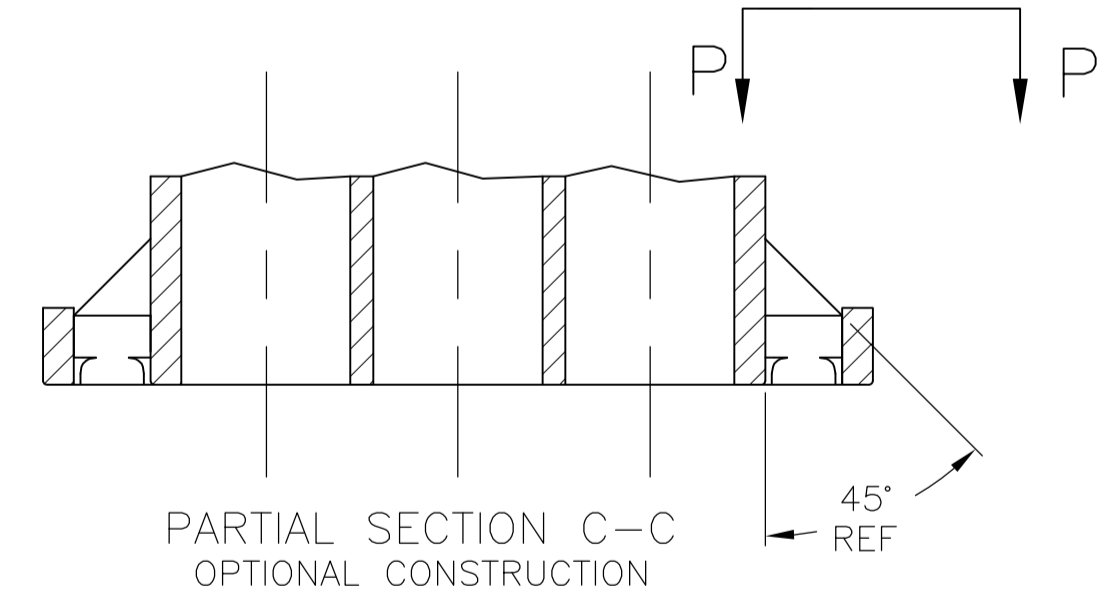
LOC		DIST		REVISIONS			
P	LTR	DESCRIPTION	DATE	DWN	APVD		
AL		REVISED PER ECO-13-000258	09JUL13	JR	TM		



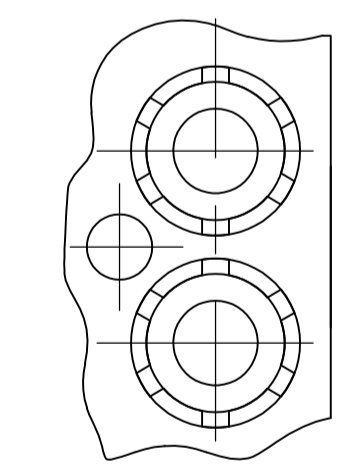
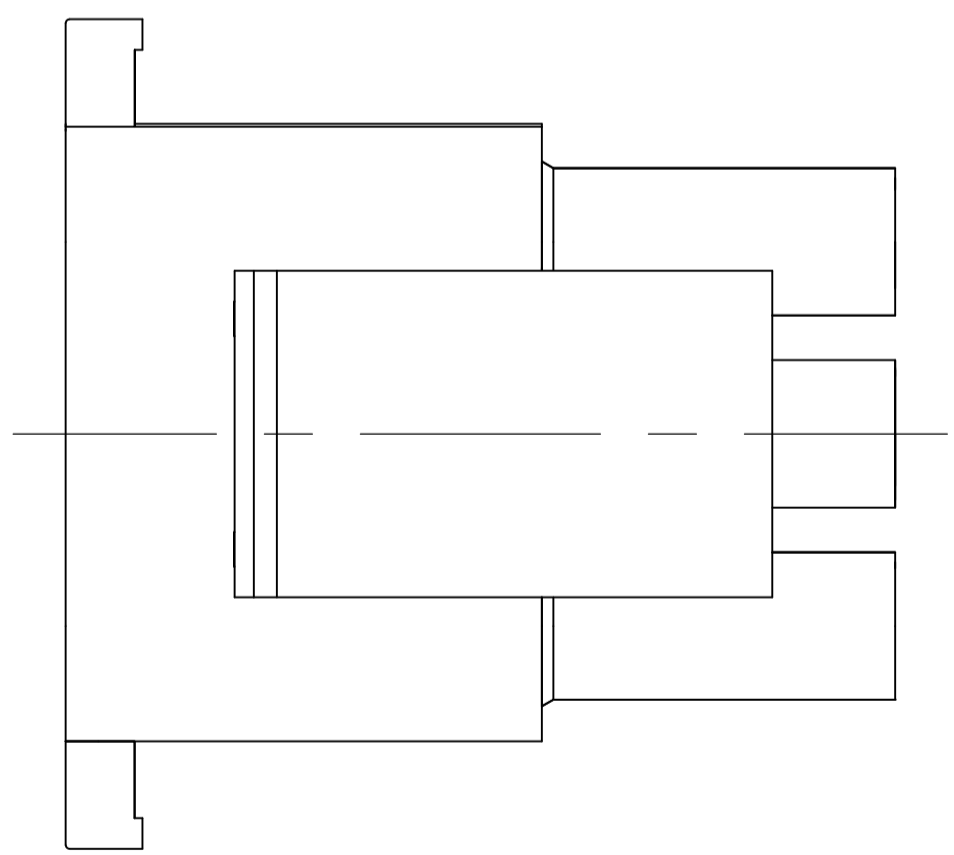
- MATES WITH APPROPRIATE UNIVERSAL MATE-N-LOK™ CAP OR HEADER.
- SMALL NICKS ARE PERMITTED ON THE CIRCUIT TOWERS WHICH COULD INCREASE THE INITIAL HOUSING MATING FORCE BY UP TO 4.4 NEWTONS [1.0 LBS]. NO INDIVIDUAL NICKED TOWER SHALL INCREASE THIS FORCE BY OVER 2.2 NEWTONS [.5 LBS].
- DIMENSION INDICATED IS AS MOLDED. ADDITIONAL GROWTH DUE TO SUBSEQUENT MOISTURE ABSORPTION MAY OCCUR.
- FOUR RIBS EQUALLY SPACED, NO SPECIFIC ORIENTATION, OR SIX RIBS EQUALLY SPACED, NO SPECIFIC ORIENTATION, OPTIONAL.
- UNDERWRITERS RECOGNIZED COMPONENT LOGO AND CSA CERTIFICATION LOGO TO BE LOCATED ONCE EACH ON SIDE OF HOUSING.
- OBSOLETE PARTS: OBSOLETE CIS STREAMLINING PER D.RENAUD/D.SINISI



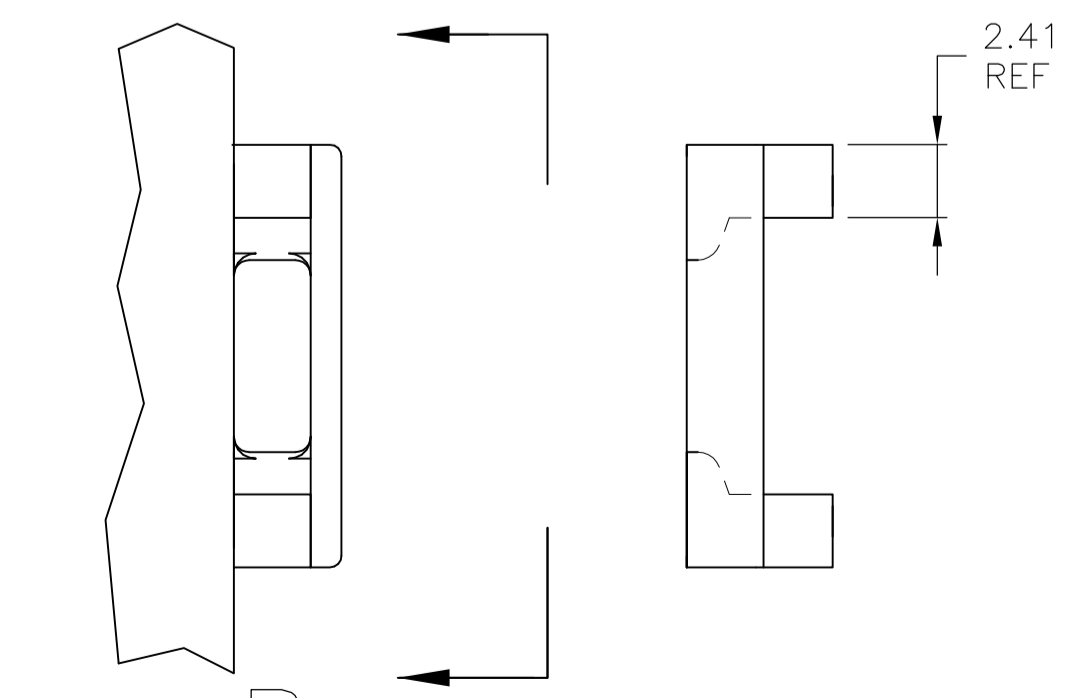
PARTIAL SECTION C-C



PARTIAL SECTION C-C
OPTIONAL CONSTRUCTION



PARTIAL DETAIL A
OPTIONAL CONSTRUCTIONS



VIEW P
OPTIONAL CONSTRUCTIONS

OBSCOLETE	COLOR	PART NO.
1-480706-0	BLACK	1-480706-9
1-480706-1	GRAY	1-480706-8
1-480706-2	BLUE	1-480706-6
1-480706-3	GREEN	1-480706-5
1-480706-4	YELLOW	1-480706-4
1-480706-5	ORANGE	1-480706-3
1-480706-6	RED	1-480706-2
1-480706-7	BROWN	1-480706-1
1-480706-8	NATURAL	1-480706-0
1-480706-9		

THIS DRAWING IS A CONTROLLED DOCUMENT.

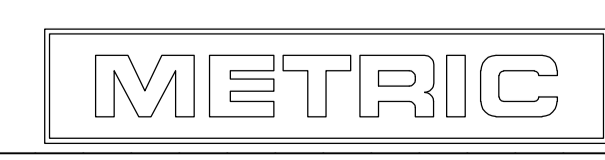
DIMENSIONS: mm [INCHES]	TOLERANCES UNLESS OTHERWISE SPECIFIED: 0. PLC ± - 1. PLC ± - 2. PLC ± 0.13 [.005] 3. PLC ± - 4. PLC ± - ANGLES ± 0°30'	DIN K. WHITAKER 01SEP04 CHK S. RIDGILL 01SEP04 APVD S. RIDGILL 01SEP04 PRODUCT SPEC APPLICATION SPEC WEIGHT	NAME PLUG, 9 CIRCUIT, UNIVERSAL MATE-N-LOK™
MATERIAL NYLON, UL94V-2	FINISH -	SIZE A1	SCALE 4:1

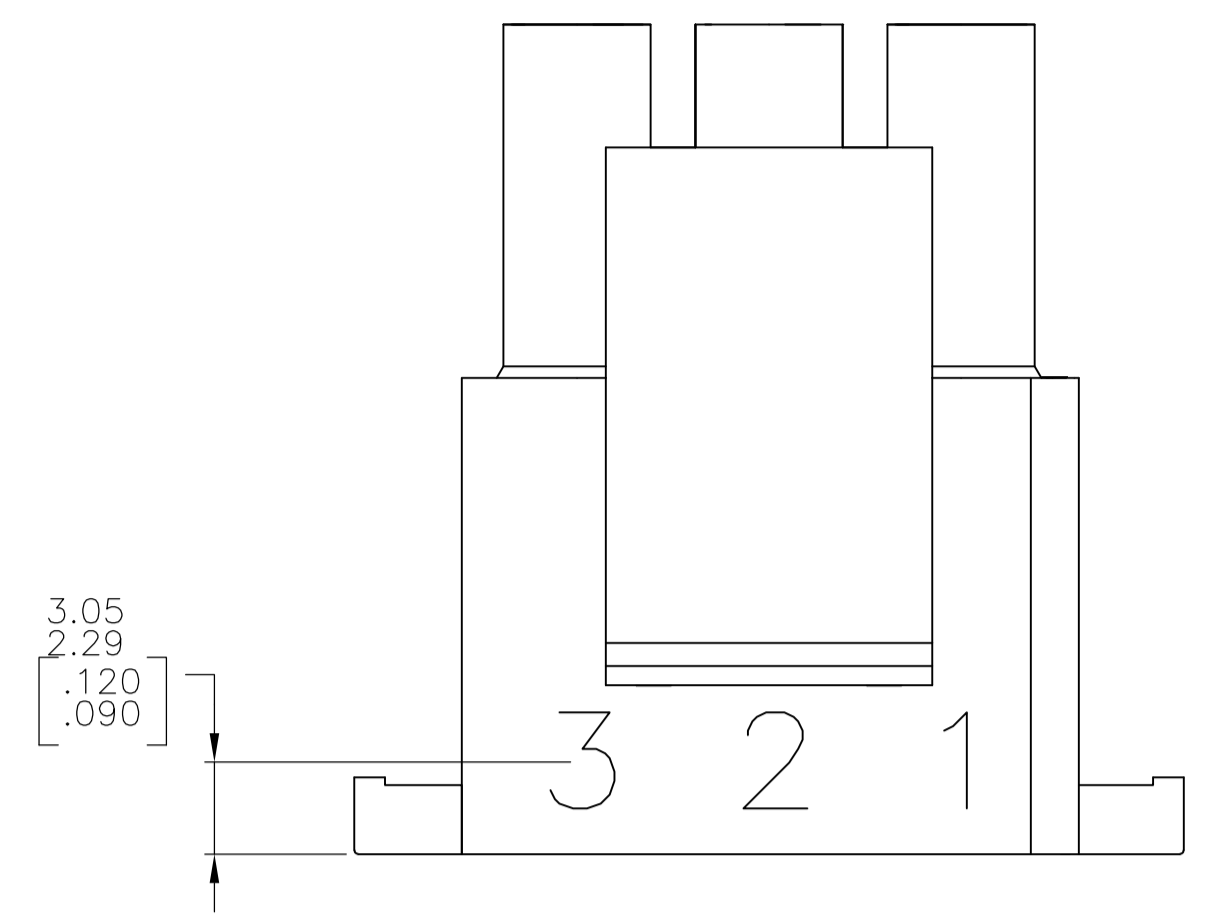
CUSTOMER DRAWING

STE TE Connectivity

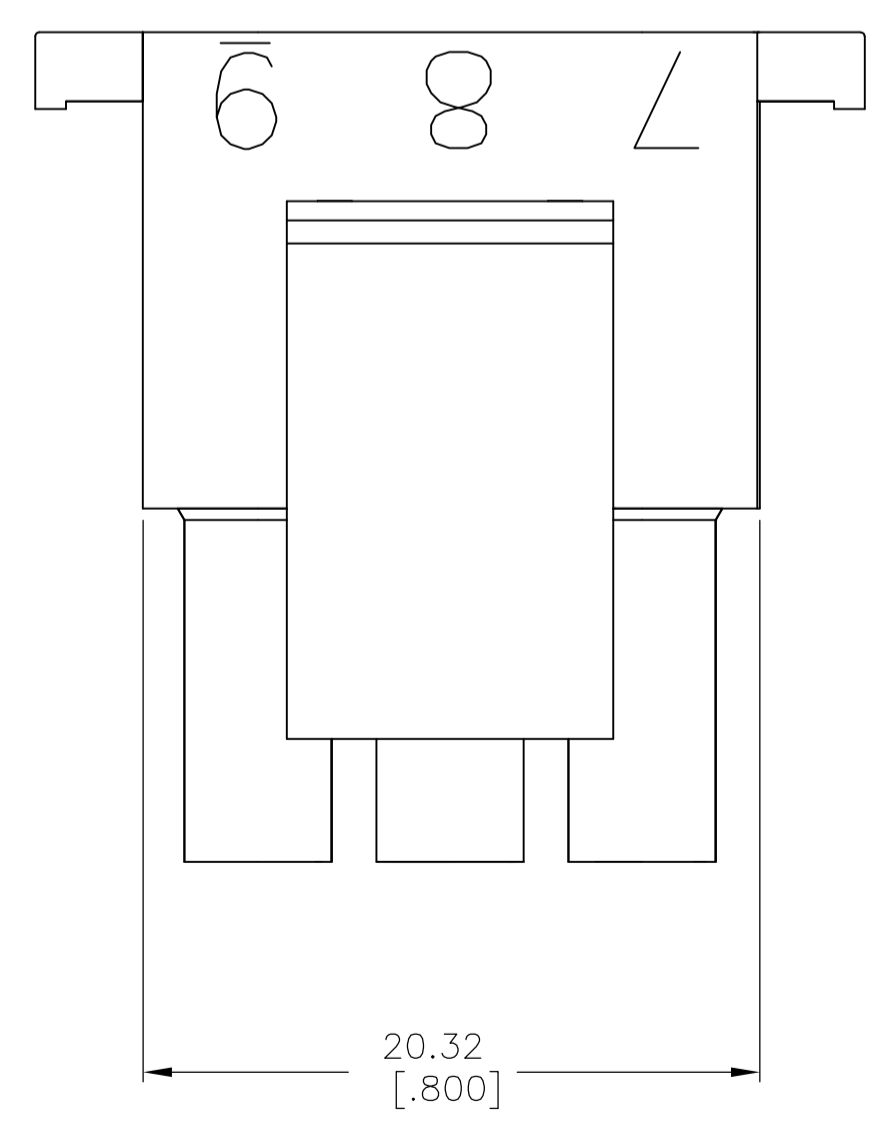
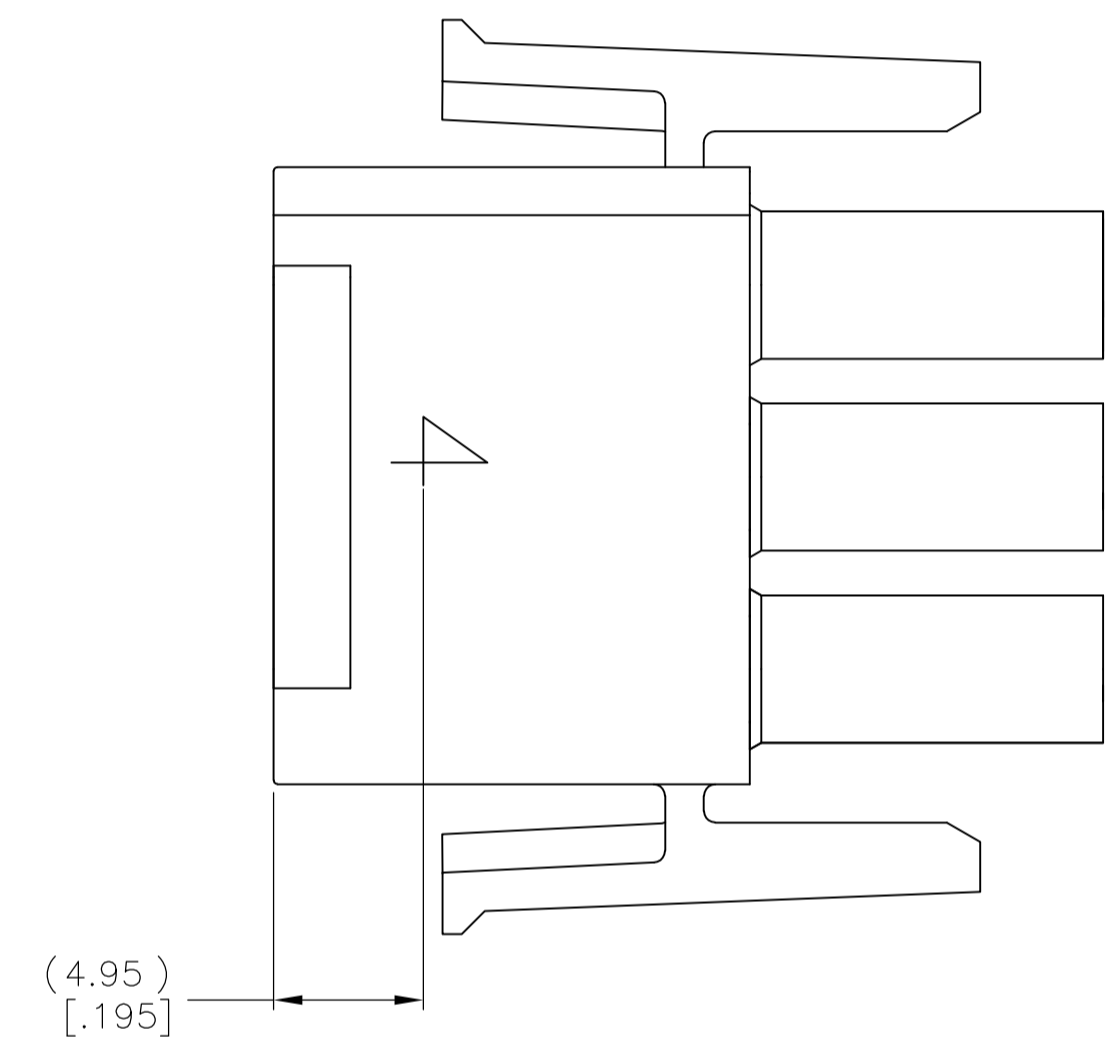
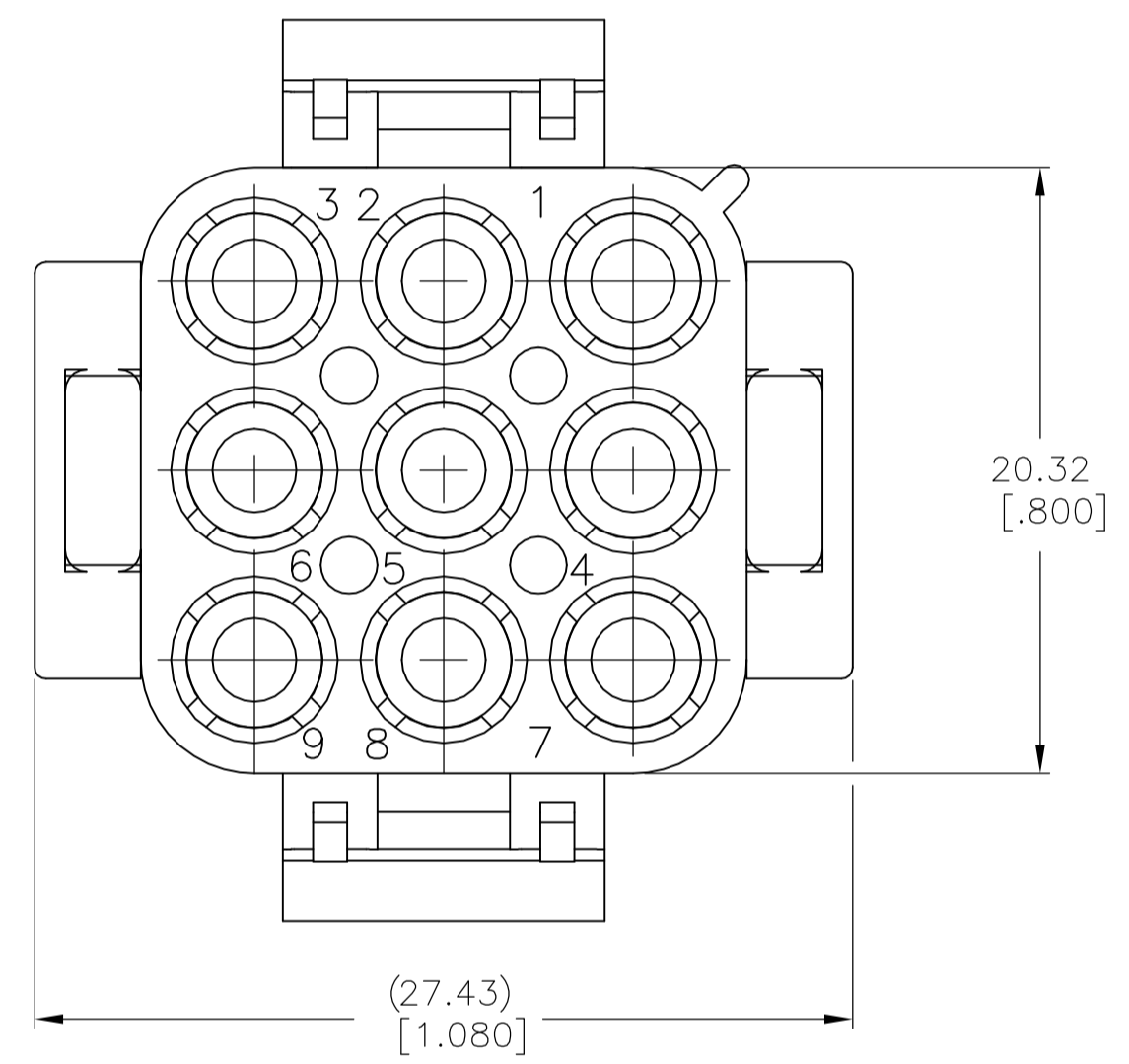
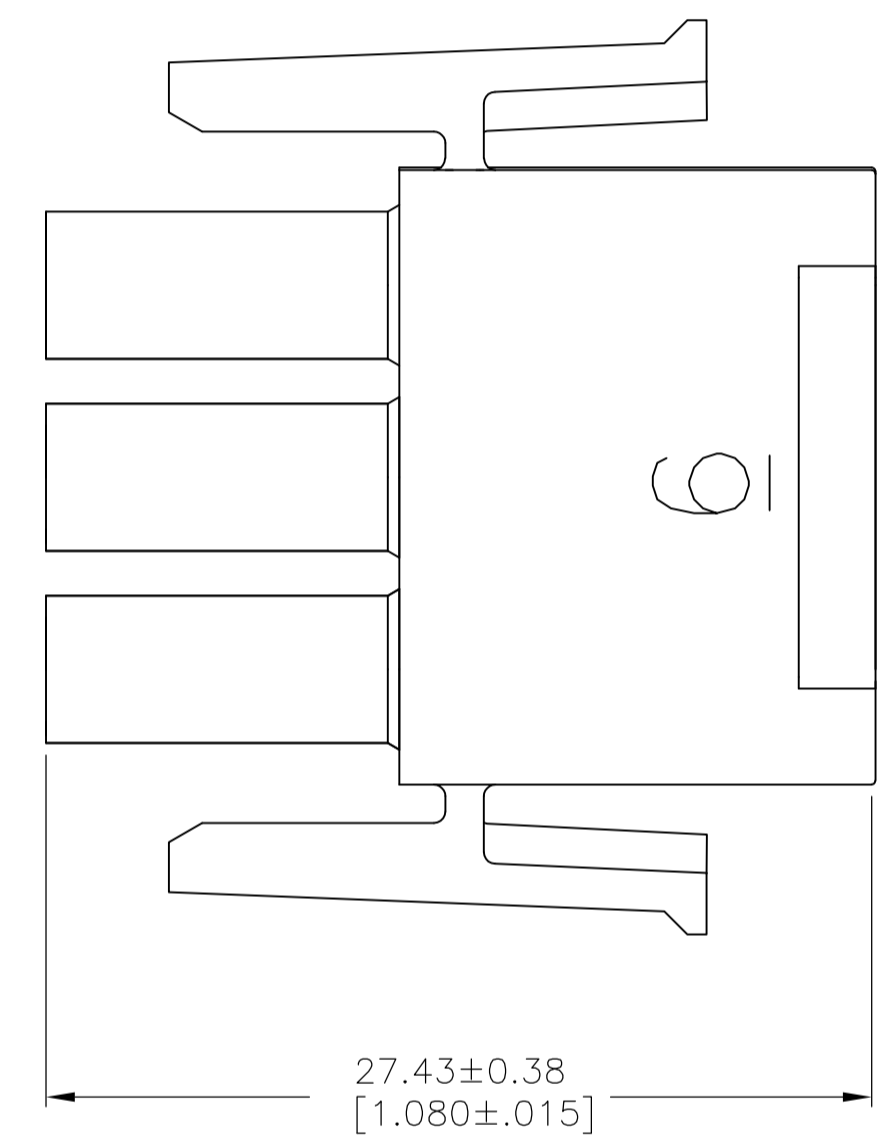
00779-480706

SHEET 1 OF 2





1. STAMP NUMBERS 3.18 [.125] HIGH AT WIRE END OF HOUSING (12 POINT DAVID TYPE).
2. CHARACTERS TO BE POSITIONED ON HOUSING TO BE READ FROM WIRE END ONLY.
3. VIOLET, BLACK, BROWN, AND BLUE COLORED BLOCKS TO BE STAMPED WITH WHITE CHARACTERS. ALL OTHER COLORED BLOCKS TO BE STAMPED WITH BLACK CHARACTERS.



NATURAL	2-480706-0
COLOR	PART NUMBER

THIS DRAWING IS A CONTROLLED DOCUMENT.		DIN K. WHITAKER 01SEP2004		NATURE	
DIMENSIONS: mm [INCHES]		CHK S. RIDGILL 01SEP2004		COLOR	
TOLERANCES UNLESS OTHERWISE SPECIFIED:		APVD S. RIDGILL 01SEP2004		NATURE	
0 PLC	± -	NAME		PLUG, 9 CIRCUIT, UNIVERSAL MATE-N-LOK	
1 PLC	± -	PRODUCT SPEC		SIZE	
2 PLC	± 0.13 [.005]	APPLICATION SPEC		CAGE CODE	
3 PLC	± -	WEIGHT		DRAWING NO	
4 PLC	± -	CUSTOMER DRAWING		A1 00779	
ANGLES	± 0°30'	SCALE		4:1	
MATERIAL	FINISH	SHEET		2 OF 2	
		REV		AL	

