

Distributed by:

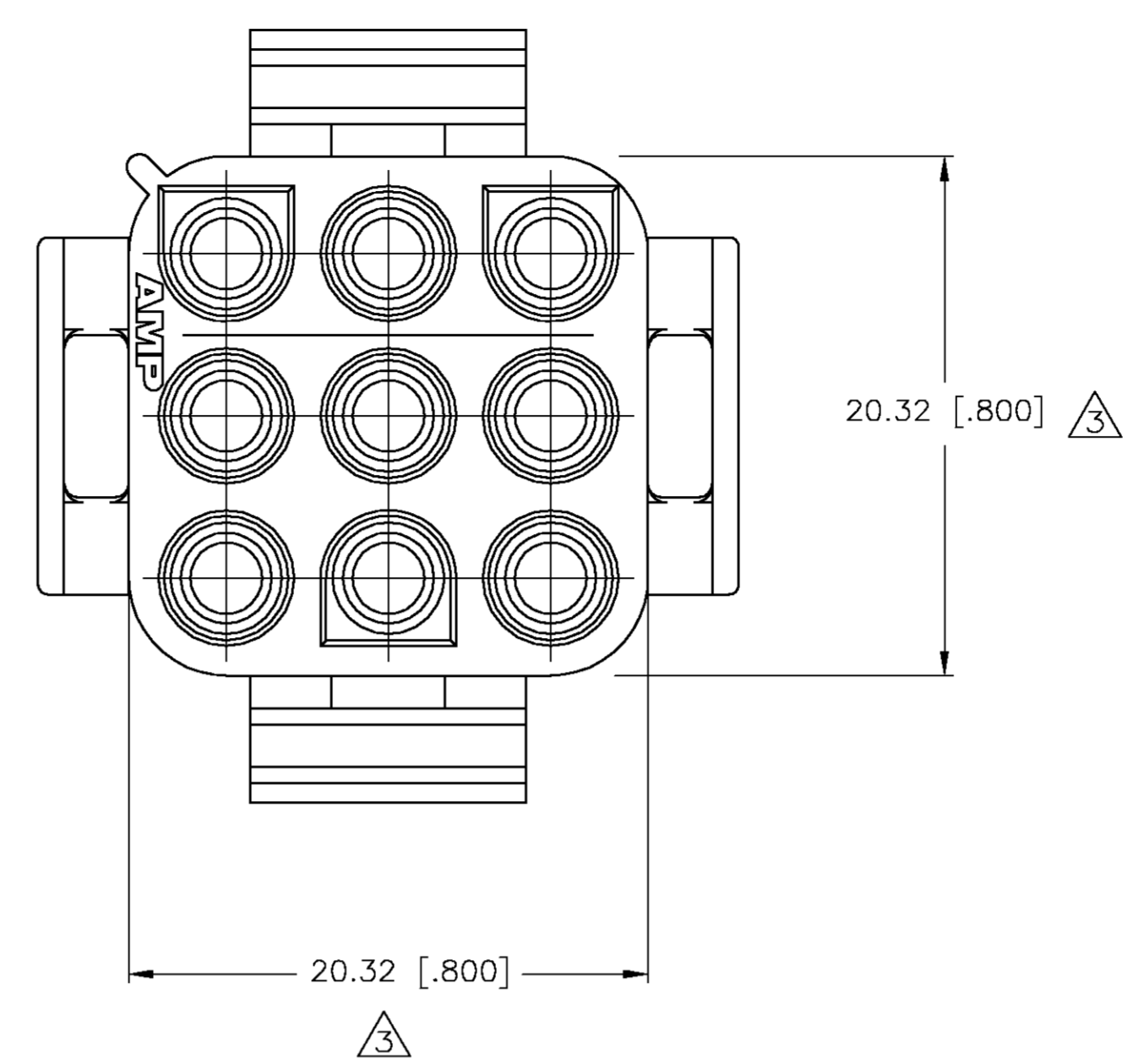
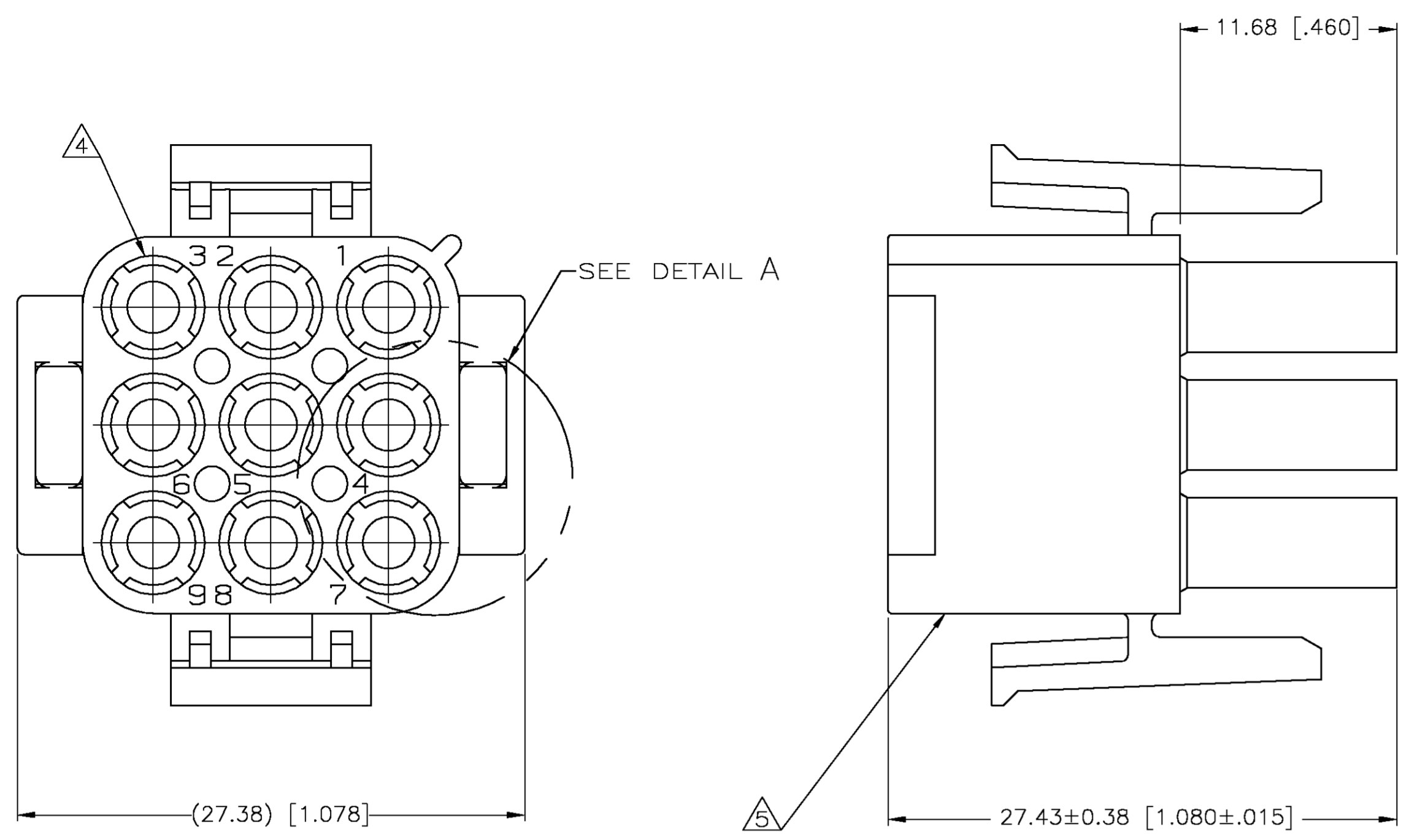
**JAMECO**<sup>®</sup>  
ELECTRONICS

**www.Jameco.com ♦ 1-800-831-4242**

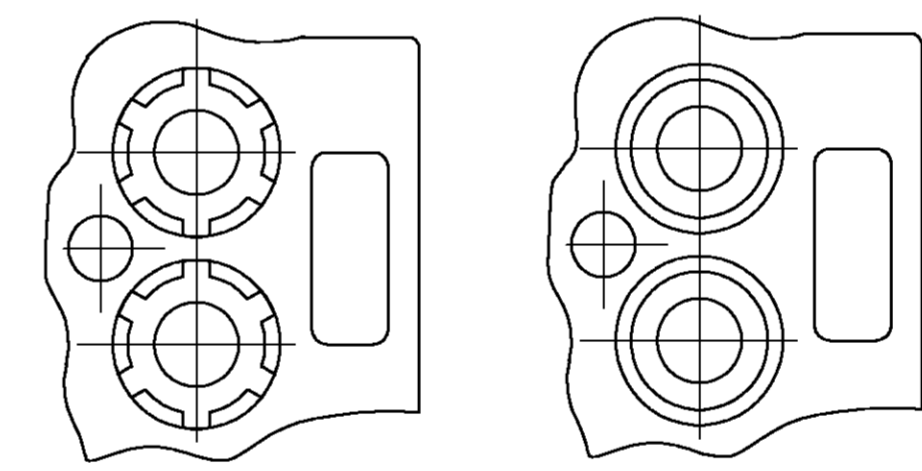
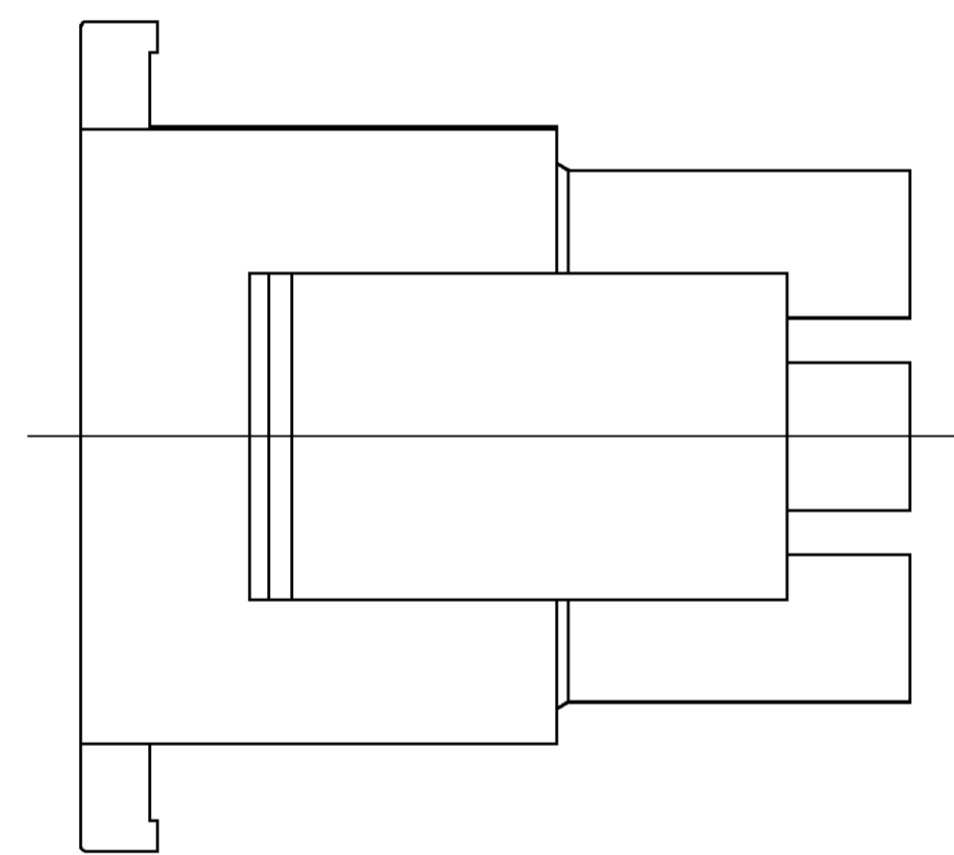
The content and copyrights of the attached  
material are the property of its owner.

Jameco Part Number 527161

LOC		DIST		REVISIONS			
P	LR	DESCRIPTION	DATE	DN	APD		
AJ		REVISED PER 063B-0395-04	01SEP04	KW	SR		



- MATES WITH APPROPRIATE UNIVERSAL MATE-N-LOK™ CAP OR HEADER.
  - SMALL NICKS ARE PERMITTED ON THE CIRCUIT TOWERS WHICH COULD INCREASE THE INITIAL HOUSING MATING FORCE BY UP TO 4.4 NEWTONS [1.0 LBS]. NO INDIVIDUAL NICKED TOWER SHALL INCREASE THIS FORCE BY OVER 2.2 NEWTONS [.5 LBS].
- △ DIMENSION INDICATED IS AS MOLDED. ADDITIONAL GROWTH DUE TO SUBSEQUENT MOISTURE ABSORPTION MAY OCCUR.
  - △ FOUR RIBS EQUALLY SPACED, NO SPECIFIC ORIENTATION. NO RIBS OR SIX RIBS EQUALLY SPACED, NO SPECIFIC ORIENTATION, OPTIONAL.
  - △ UNDERWRITERS RECOGNIZED COMPONENT LOGO AND CSA CERTIFICATION LOGO TO BE LOCATED ONCE EACH ON SIDE OF HOUSING.



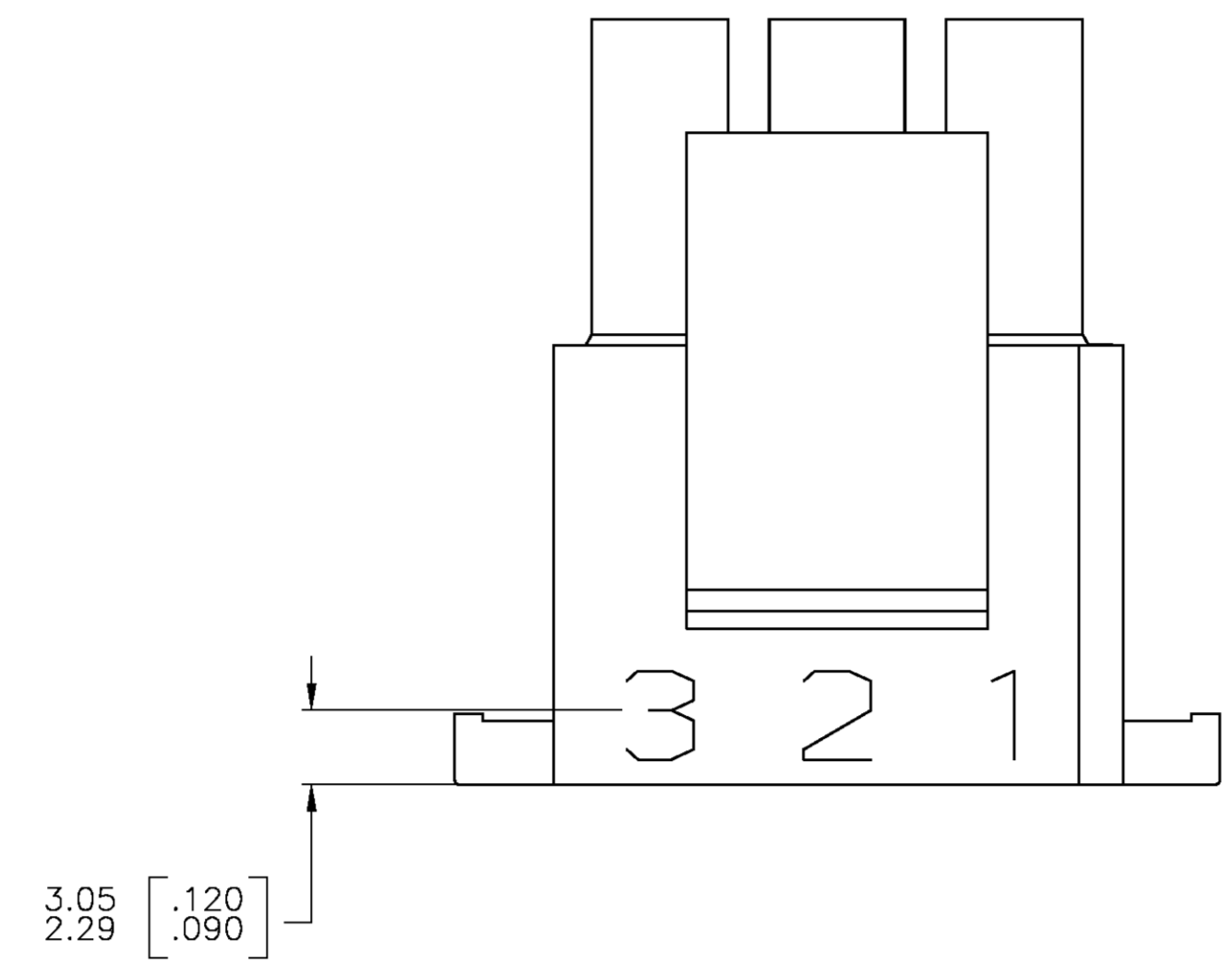
DETAIL A  
OPTIONAL CONSTRUCTIONS

**METRIC**

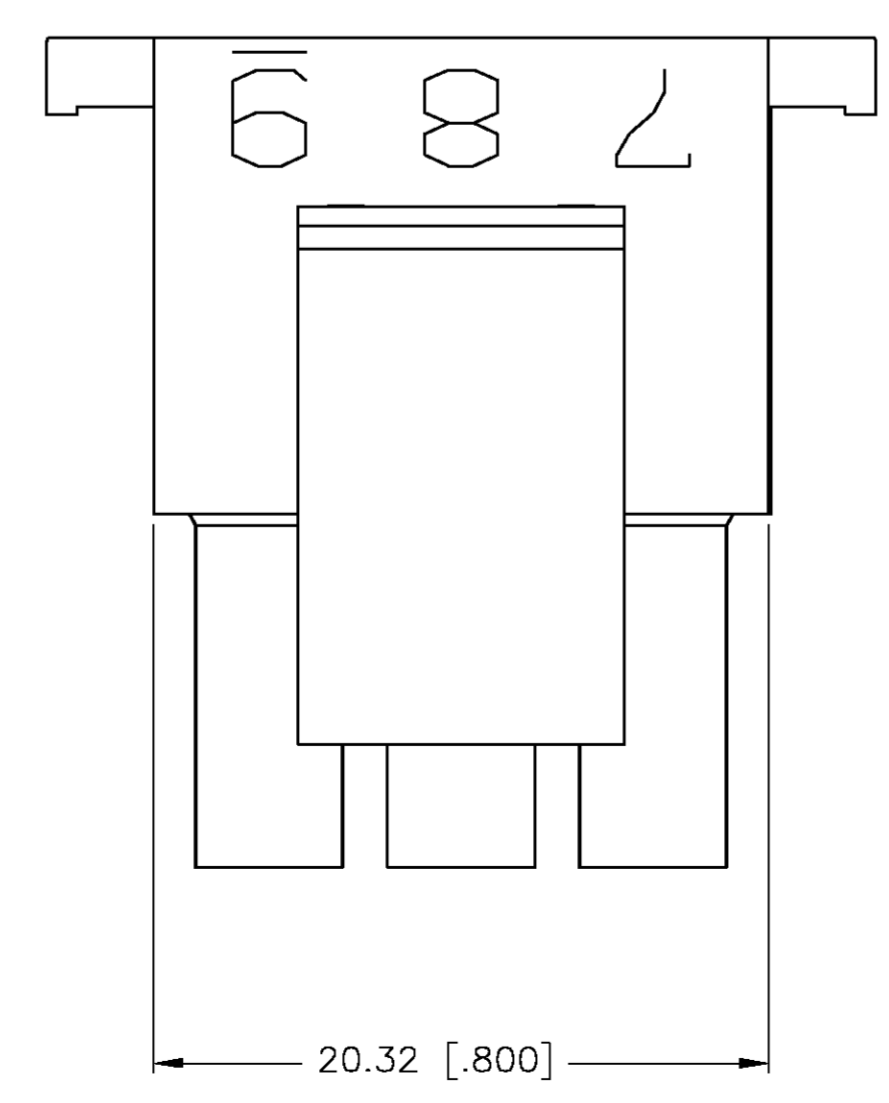
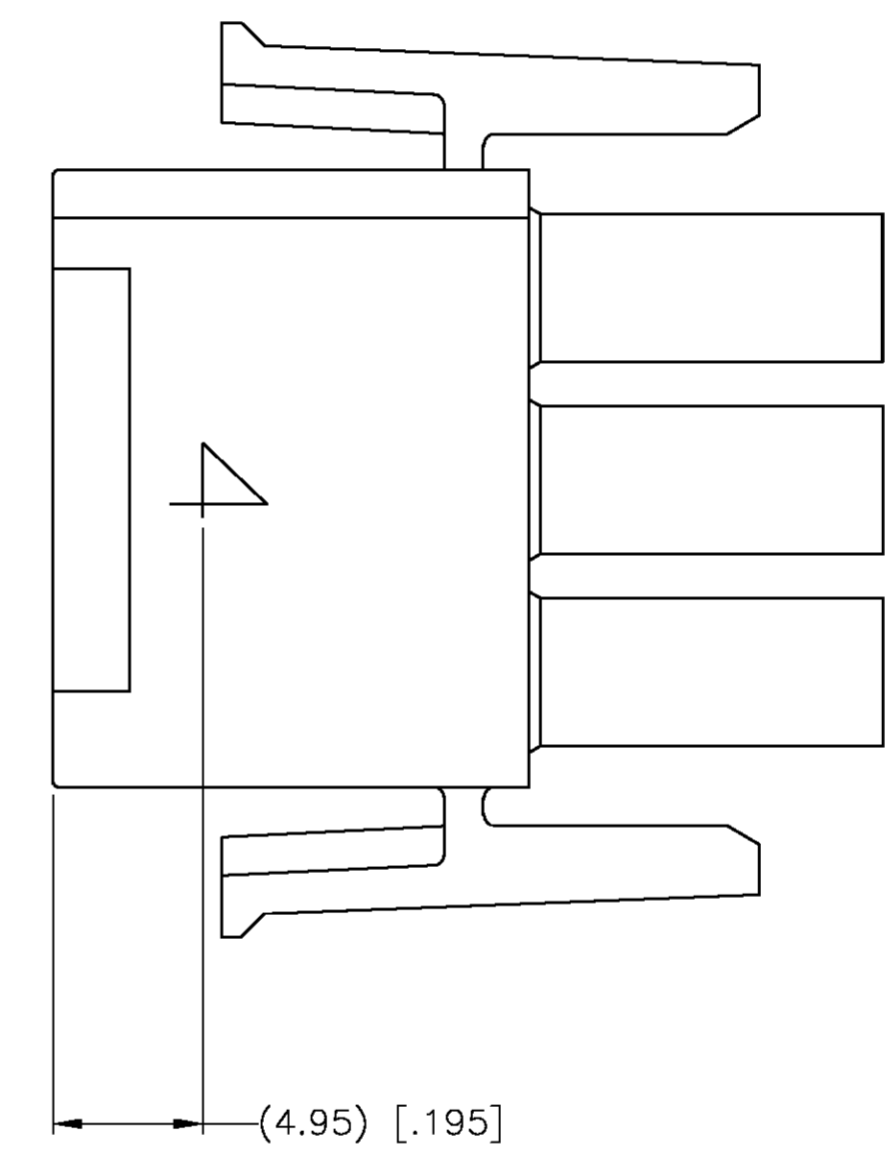
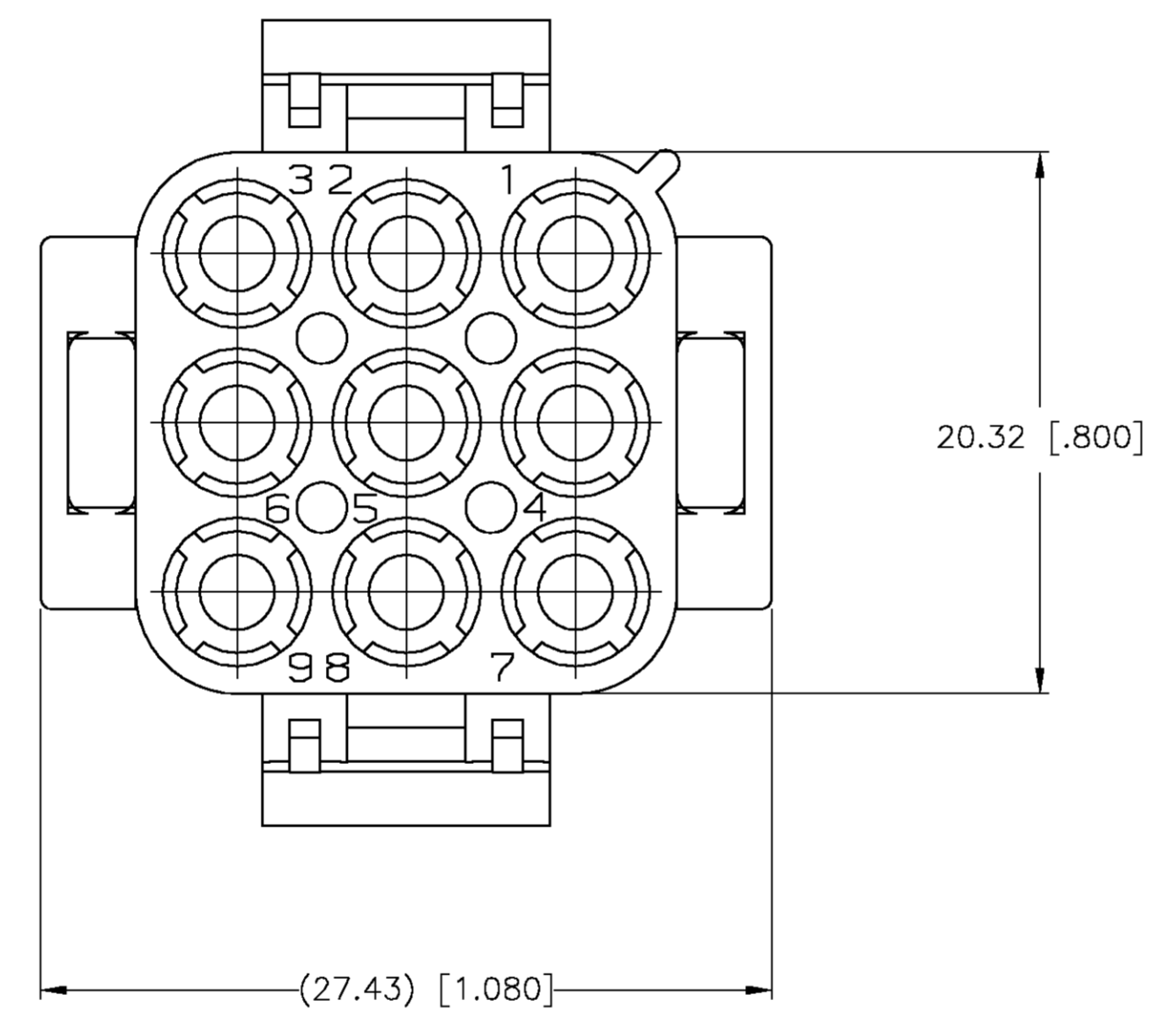
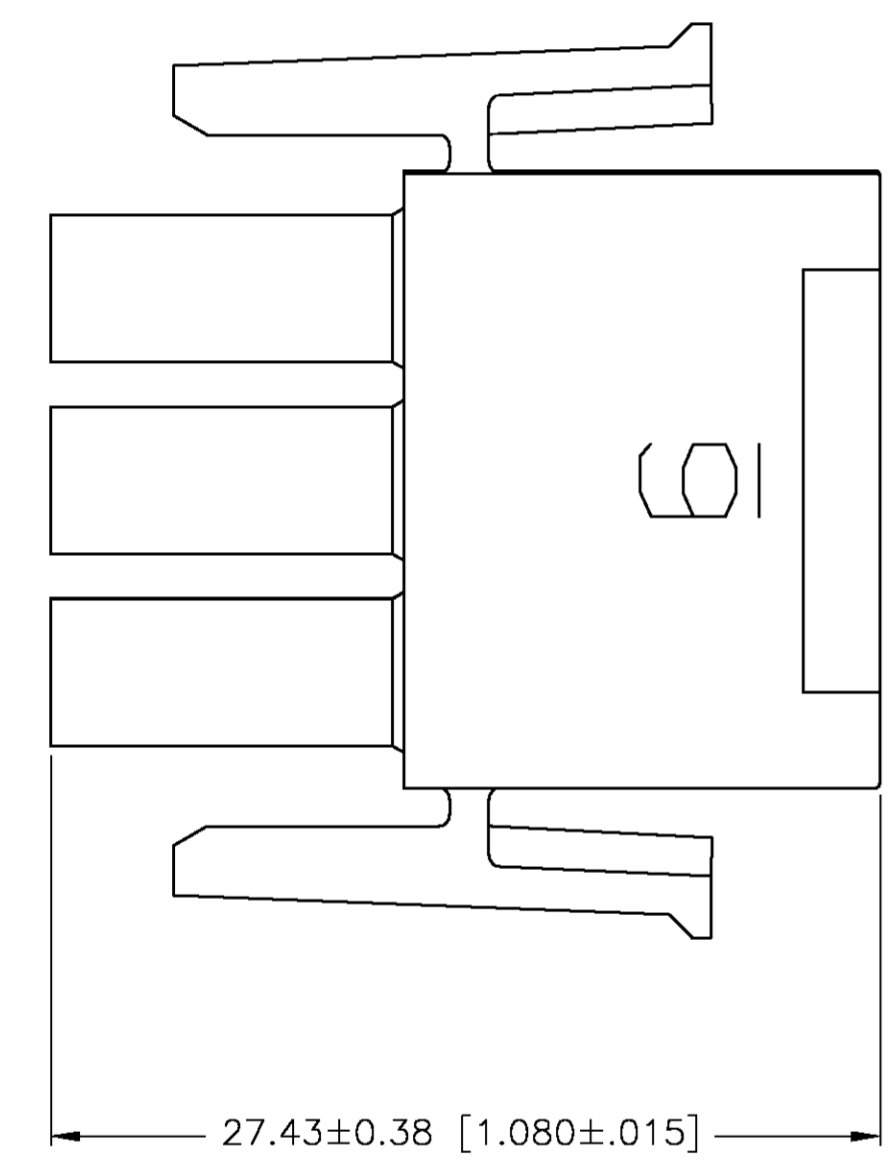
BLACK	1-480706-9
RED	1-480706-2
BROWN	1-480706-1
NATURAL	1-480706-0
COLOR	PART NUMBER

THIS DRAWING IS A CONTROLLED DOCUMENT.		DWN K. WHITAKER 01SEP2004 CHK S. RIDGILL 01SEP2004 APVD S. RIDGILL 01SEP2004 PRODUCT SPEC APPLICATION SPEC WEIGHT CUSTOMER DRAWING	Tyco Electronics Corporation Greensboro, NC 27409 NAME PLUG, 9 CIRCUIT, UNIVERSAL MATE-N-LOK™ SIZE A1 CAGE CODE 00779 DRAWING NO. 480706 RESTRICTED TO 1 OF 2 REV AJ
DIMENSIONS: mm [INCHES]	TOLERANCES UNLESS OTHERWISE SPECIFIED: 0 PLC ± - 1 PLC ± - 2 PLC ± 0.13 [.005] 3 PLC ± - 4 PLC ± - ANGLES ± 0.30° FINISH -	Tyco <b>Electronics</b>	SCALE 4:1 SHEET 1 OF 2

LOC		DIST		REVISIONS			
P	LR	DESCRIPTION	DATE	DN	APPD		
CM	00	SEE SHEET 1	-	-	-	-	-



1. STAMP NUMBERS 3.18 [.125] HIGH AT WIRE END OF HOUSING (12 POINT DAVID TYPE).
2. CHARACTERS TO BE POSITIONED ON HOUSING TO BE READ FROM WIRE END ONLY.
3. VIOLET, BLACK, BROWN, AND BLUE COLORED BLOCKS TO BE STAMPED WITH WHITE CHARACTERS. ALL OTHER COLORED BLOCKS TO BE STAMPED WITH BLACK CHARACTERS.



**METRIC**

NATURAL	2-480706-0
COLOR	PART NUMBER

THIS DRAWING IS A CONTROLLED DOCUMENT.		DN K. WHITAKER	01SEP2004	<b>tyco</b> Electronics	Tyco Electronics Corporation Greensboro, NC 27409	
DIMENSIONS: mm [INCHES]		CHK S. RIDGILL	01SEP2004		APVD S. RIDGILL	01SEP2004
TOLERANCES UNLESS OTHERWISE SPECIFIED:		0 PLC ± -		APPLICATION SPEC		SIZE A1
1 PLC ± -		2 PLC ± ± 0.13 [.005]		RESTRICTED TO		SCALE 4:1
3 PLC ± -		4 PLC ± -		WEIGHT		SHEET 2 OF 2
ANGLES ± ± 0.30°		FINISH		CUSTOMER DRAWING		REV AJ
MATERIAL		DRAWING NO		DRAWING NO		
		A1 00779		C=480706		