

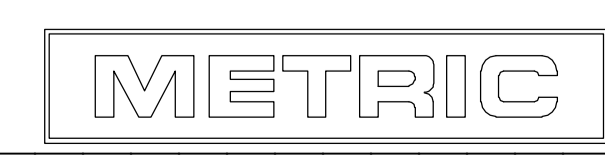
DETAIL A
 OPTIONAL CONSTRUCTIONS

- MATES WITH APPROPRIATE UNIVERSAL MATE-N-LOK™ CAP OR HEADER.
- SMALL NICKS ARE PERMITTED ON THE CIRCUIT TOWERS WHICH COULD INCREASE THE INITIAL HOUSING MATING FORCE BY UP TO 4.4 NEWTONS [1.0 LBS]. NO INDIVIDUAL NICKED TOWER SHALL INCREASE THIS FORCE BY OVER 2.2 NEWTONS [.5 LBS].
- DIMENSION INDICATED IS AS MOLDED. ADDITIONAL GROWTH DUE TO SUBSEQUENT MOISTURE ABSORPTION MAY OCCUR.
- FOUR RIBS EQUALLY SPACED, NO SPECIFIC ORIENTATION. NO RIBS OR SIX RIBS EQUALLY SPACED, NO SPECIFIC ORIENTATION, OPTIONAL.
- UNDERWRITERS RECOGNIZED COMPONENT LOGO AND CSA CERTIFICATION LOGO TO BE LOCATED ONCE EACH ON SIDE OF HOUSING.

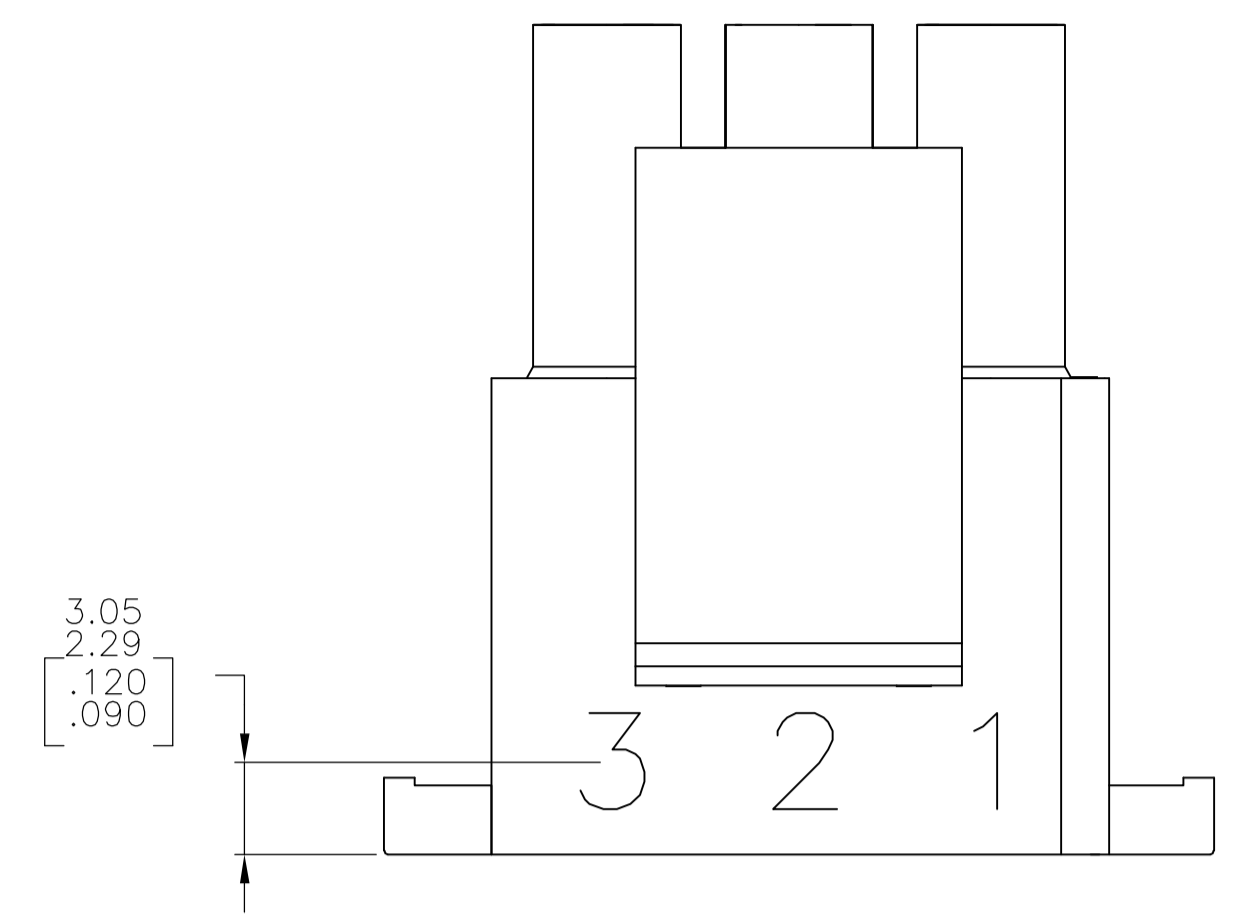
BLACK	1-480706-9
GRAY	1-480706-8
BLUE	1-480706-6
GREEN	1-480706-5
YELLOW	1-480706-4
ORANGE	1-480706-3
RED	1-480706-2
BROWN	1-480706-1
NATURAL	1-480706-0
COLOR	PART NO.

THIS DRAWING IS A CONTROLLED DOCUMENT.

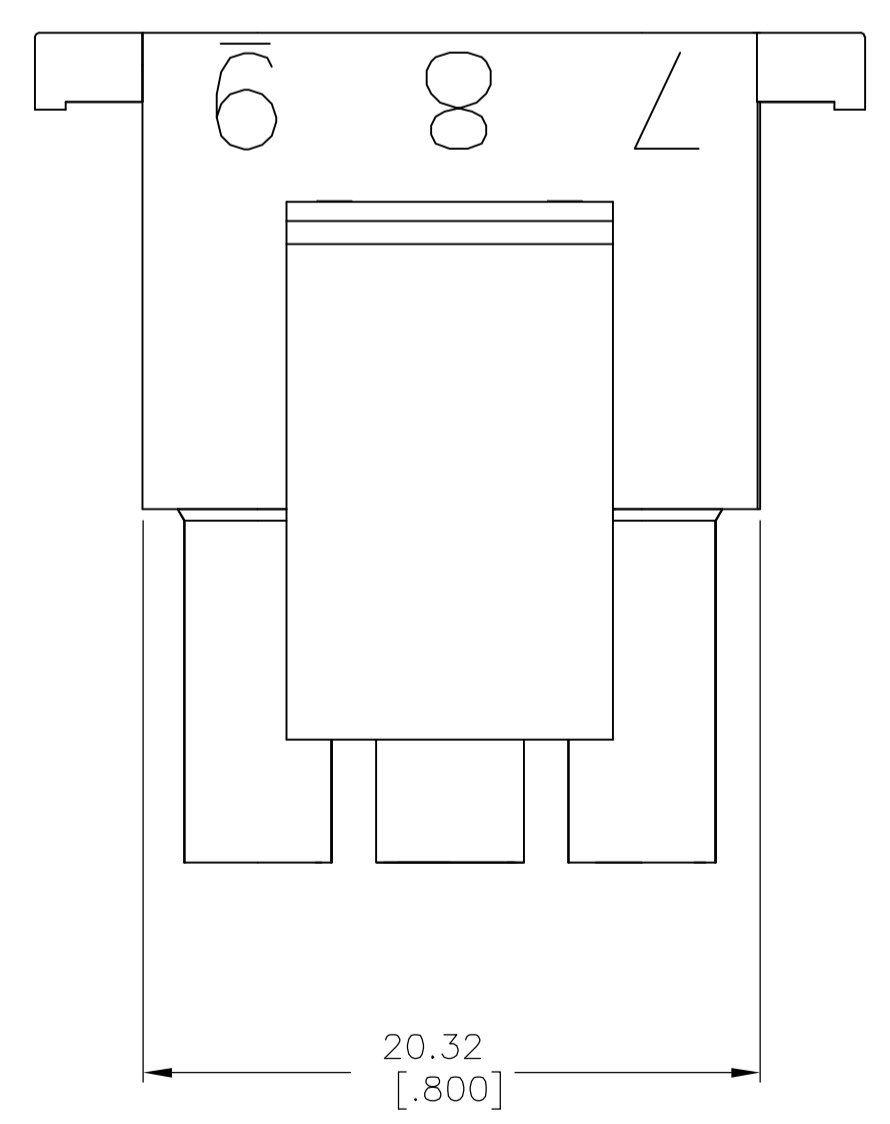
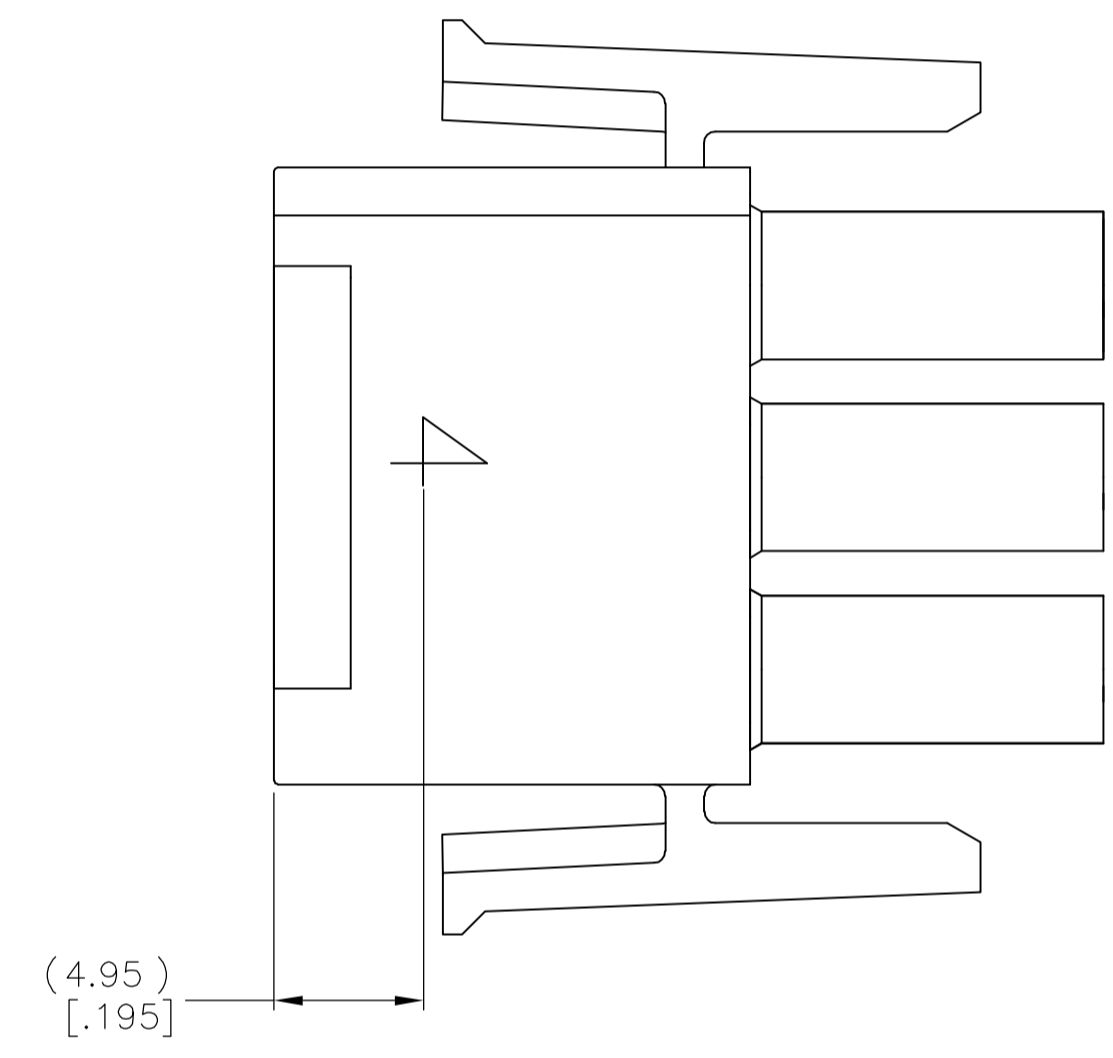
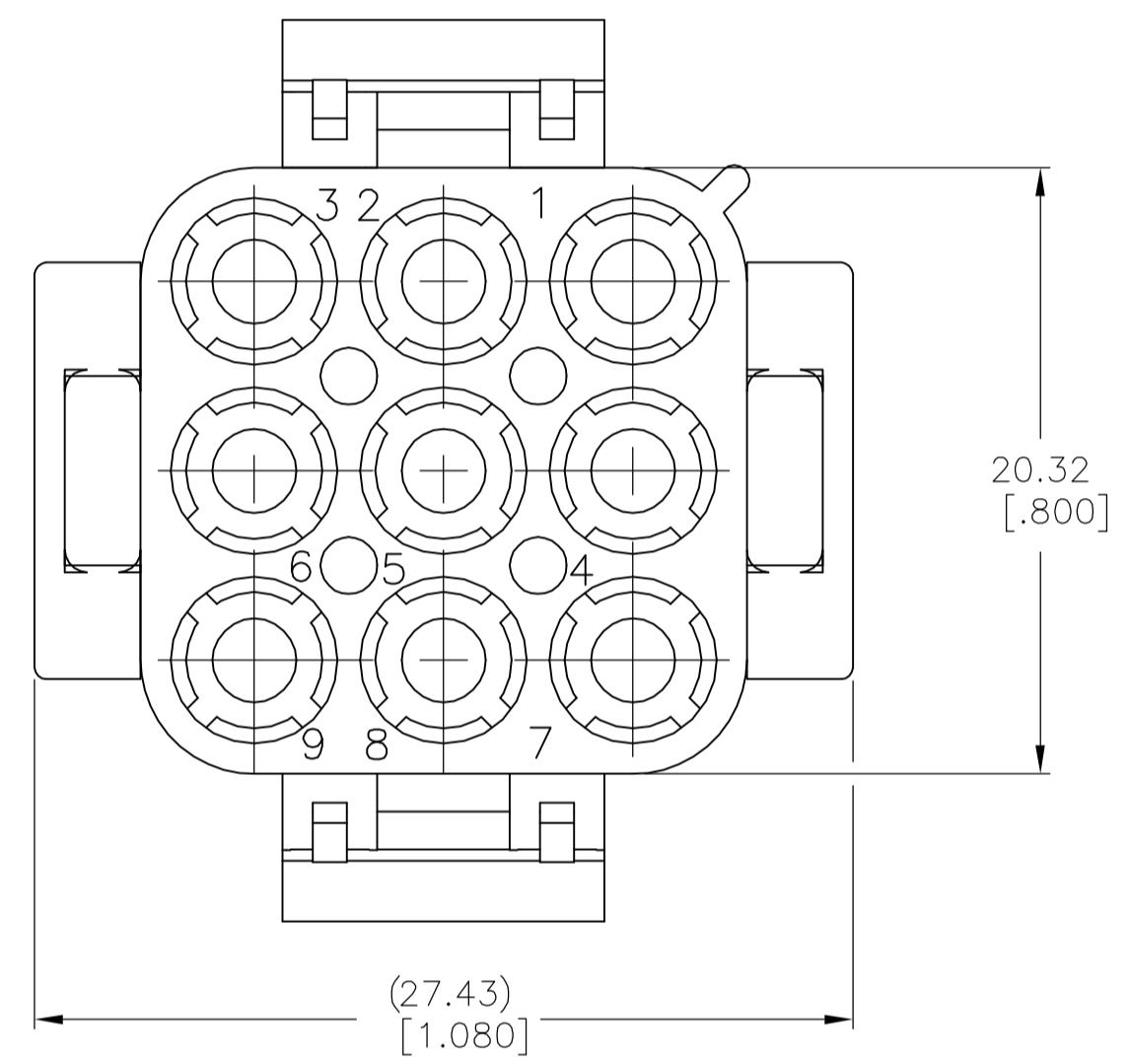
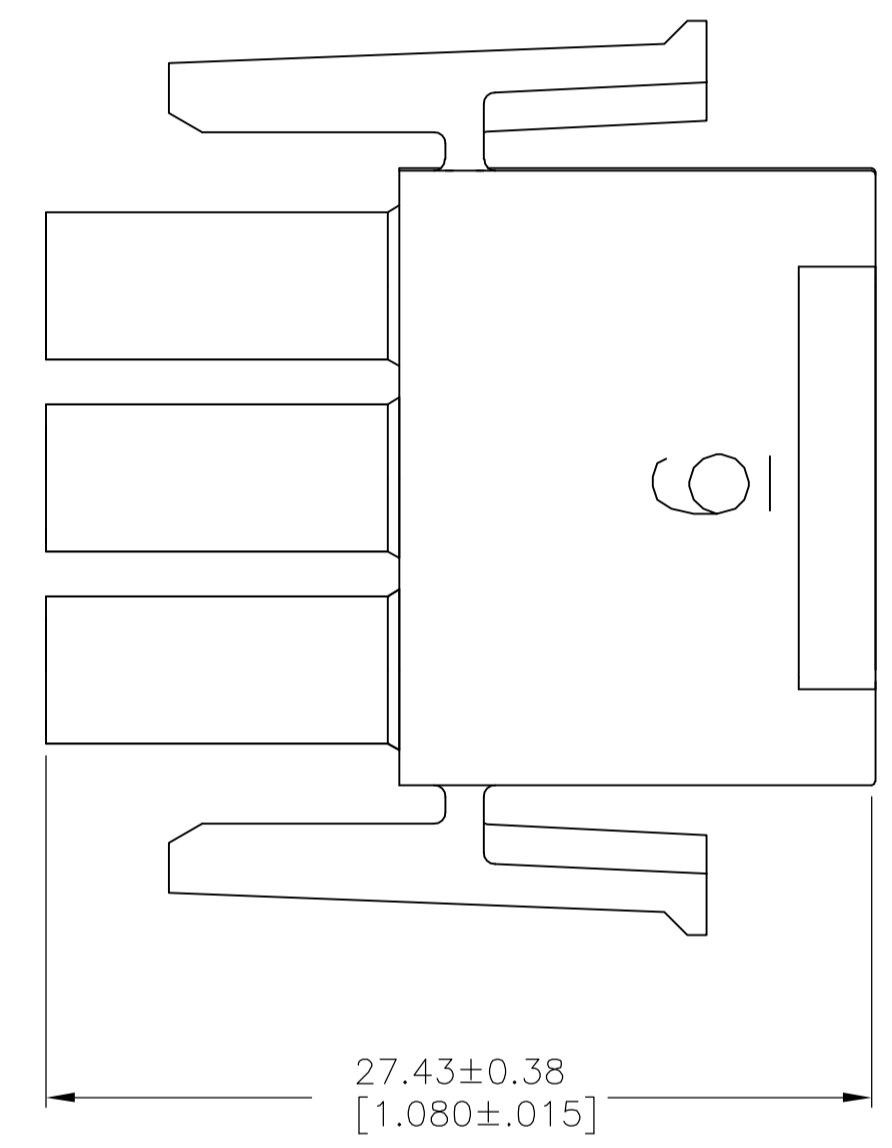
DIMENSIONS: mm [INCHES]	TOLERANCES UNLESS OTHERWISE SPECIFIED:	DWN: K. WHITAKER 01SEP04		Tyco Electronics Corporation Harrisburg, PA 17105-3608
0 PLC ± -	1 PLC ± -	CHK: S. RIDGILL 01SEP04		NAME: PLUG, 9 CIRCUIT, UNIVERSAL MATE-N-LOK™
2 PLC ± ± 0.13 [.005]	3 PLC ± -	APVD: S. RIDGILL 01SEP04	PRODUCT SPEC: -	SIZE: A1
4 PLC ± -	ANGLES ± ± 0.30°	APPLICATION SPEC: -	WEIGHT: -	SCALE: 4:1
MATERIAL: NYLON, UL94V-2	FINISH: -	RESTRICTED TO: -	CUSTOMER DRAWING	SHEET 1 OF 2



LOC		DIST		REVISIONS			
P	LTR	DESCRIPTION	DATE	DWN	APVD		
AK		ECO-06-013891	01SEP06	BSV	GSR		



1. STAMP NUMBERS 3.18 [.125] HIGH AT WIRE END OF HOUSING (12 POINT DAVID TYPE).
2. CHARACTERS TO BE POSITIONED ON HOUSING TO BE READ FROM WIRE END ONLY.
3. VIOLET, BLACK, BROWN, AND BLUE COLORED BLOCKS TO BE STAMPED WITH WHITE CHARACTERS. ALL OTHER COLORED BLOCKS TO BE STAMPED WITH BLACK CHARACTERS.



NATURAL COLOR	2-480706-0 PART NUMBER
---------------	------------------------

THIS DRAWING IS A CONTROLLED DOCUMENT.		DWN K. WHITAKER 01SEP2004		Tyco Electronics Corporation Harrisburg, PA 17105-3608	
DIMENSIONS: mm [INCHES]		CHK S. RIDGILL 01SEP2004		APVD S. RIDGILL 01SEP2004	NAME PLUG, 9 CIRCUIT, UNIVERSAL MATE-N-LOK
TOLERANCES UNLESS OTHERWISE SPECIFIED:		0 PLC ± -	PRODUCT SPEC	SIZE A1	CAGE CODE 00779
1 PLC ± -		1 PLC ± -	APPLICATION SPEC	DRAWING NO C=480706	WEIGHT
2 PLC ± 0.13 [.005]		2 PLC ± 0.13 [.005]		CUSTOMER DRAWING	SCALE 4:1
3 PLC ± -		3 PLC ± -		SHEET 2 OF 2	REV AK
4 PLC ± -		4 PLC ± -			
ANGLES ± 0.30°		ANGLES ± 0.30°			
FINISH		FINISH			

METRIC