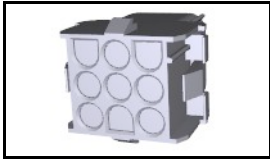


1-480707-0 Product Details

[Share](#) [Print](#) [Email](#)




1-480707-0

TE Internal Number: 1-480707-0

 Active

[View 3D PDF](#)

.250" Centerline, 600 V, 19 - 36 A max

 Always EU RoHS/ELV Compliant
(Statement of Compliance)

Product Highlights:

- Universal MATE-N-LOK Product Line
- Wire-to-Panel / Wire-to-Wire
- Applies To Panel, Applies To Wire/Cable
- Connector
- Housing

[View all Features](#)

Quick Links

- ▶ [Pricing & Availability](#)
- ▶ [Search for Tooling](#)
- ▶ [View Mating Products \(1\)](#)
- ▶ [View Contacts \(166\)](#)
- ▶ [Product Feature Selector](#)
- ▶ [Contact Us About This Product](#)

[Add to My Part List](#)

[Request Sample](#)

[Find Similar Products](#)

[Buy Product](#)

Documentation & Additional Information

Product Drawings:

- [CAP, 9 CIRCUIT, UNIVERSAL MATE-N-LOK\(TM\)](#) (PDF, English)

Catalog Pages/Data Sheets:

- [SOFT_SHELL_PIN_SOCKET_CONNECTORS_STANDARD_DENSITY](#) (PDF, English)

Product Specifications:

- [Universal MATE-N-LOK* Connector](#) (PDF, English)

Application Specifications:

- [Universal MATE-N-LOK Connectors](#) (PDF, English)

Instruction Sheets:

- [Universal, Commercial, and .140 MATE-N-LOK Contact ...](#) (PDF, English)
- [Universal MATE-N-LOK Connectors](#) (PDF, English)

CAD Files: (CAD Format & Compression Information)

- [2D Drawing](#) (DXF, Version AK)
- [3D Model](#) (IGES, Version AK)
- [3D Model](#) (STEP, Version AK)

[List all Documents](#)

Additional Information:

- [Product Line Information](#)

Related Products:

- [Tooling](#)
- [Mating Products \(1\)](#)
- [Contacts \(166\)](#)

Product Features (Please use the Product Drawing for all design activity)

Product Type Features:

- Product Line = Universal MATE-N-LOK
- Product Type = Connector
- Connector Type = Housing
- Strain Relief = Without
- Sealed = No
- UL File Number = E28476
- CSA File Number = LR 7189

Mechanical Attachment:

- Contact Retention = Without
- Mating Retention Type = Locking Tab
- Panel Mount Retention = With
- Panel Mount Retention Type = Patch and Tabs

Electrical Characteristics:

Configuration Features:

- Number of Positions = 9
- Number of Rows = 3

Industry Standards:

- Agency/Standard = CSA, UL
- [RoHS/ELV Compliance](#) = RoHS compliant, ELV compliant
- [Lead Free Solder Processes](#) = Not relevant for lead free process
- RoHS/ELV Compliance History = Always was RoHS compliant
- VDE Tested = Yes
- UL Rating = Recognized
- CSA Rating = Certified

- Operating Voltage Reference = AC
- Operating Voltage (VAC) = 600

Dimensions:

- Panel Thickness (mm [in]) = 0.76 – 2.29 [0.030 – 0.090]

Body Features:

- Mating Retention = With
- Row-to-Row Spacing (mm [in]) = 6.35 [0.250]
- Assembly Integration Feature = Without

Contact Features:

- Contact Type = Pin or Socket
- Contact Layout = Matrix
- Multiple Contact Types = Without

Housing Features:

- Connector Style = Receptacle
- Centerline (mm [in]) = 6.35 [0.2499]
- Housing Material = Nylon
- Housing Color = Natural
- UL Flammability Rating = UL 94V-2
- Mating Alignment = With
- Mating Alignment Type = Polarization

Environmental:

- Operating Temperature (°C [°F]) = -55 – +125 [-67 – +257]

Conditions for Usage:

- Applies To = Panel, Wire/Cable
- Glow Wire Rating = Standard Part - Not Glow Wire
- For Use With = Appropriate Universal MATE-N-LOK Plug

Operation/Application:

- Application Use = Wire-to-Panel / Wire-to-Wire

Packaging Features:

- Packaging Method = Package
- Packaging Quantity = 1

Other:

- Brand = AMP

Corporate Information

- [About TE](#)
- [Investors](#)
- [News Room](#)
- [Supplier Portal](#)
- [Careers](#)
- [Terms & Conditions](#)
- [Privacy Policy](#)

Quick Links

- [Distributor Inventory](#)
- [Product Cross Reference](#)
- [Documents & Drawings](#)
- [Product Compliance Support Center](#)
- [Site Map](#)

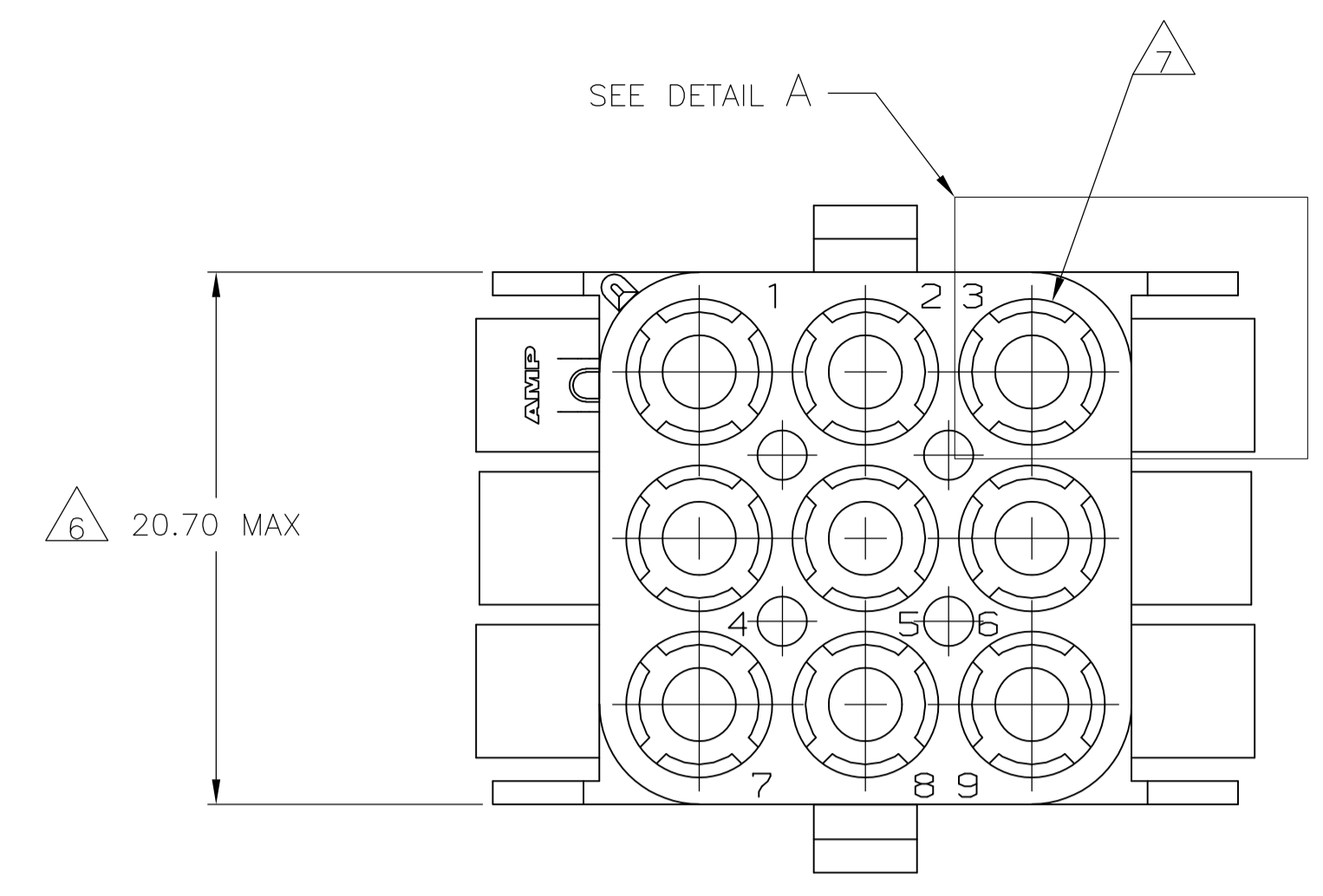
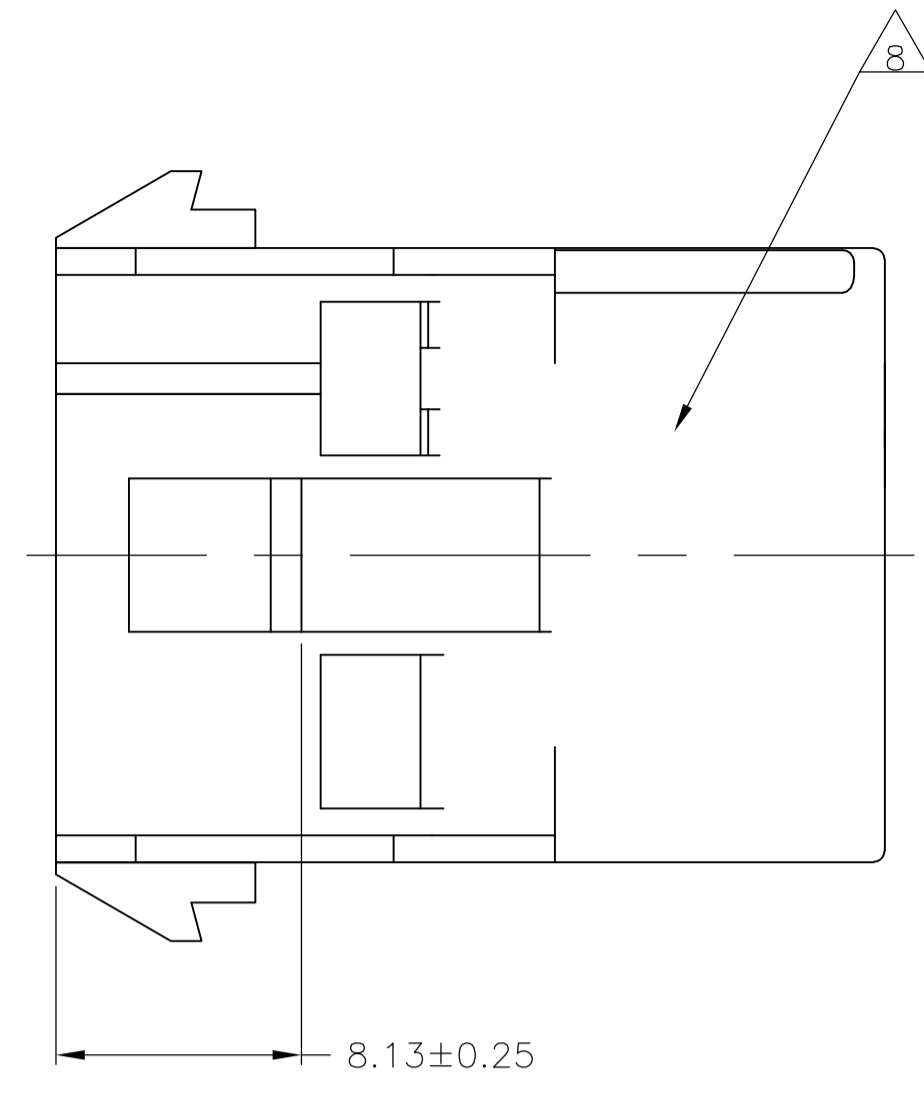
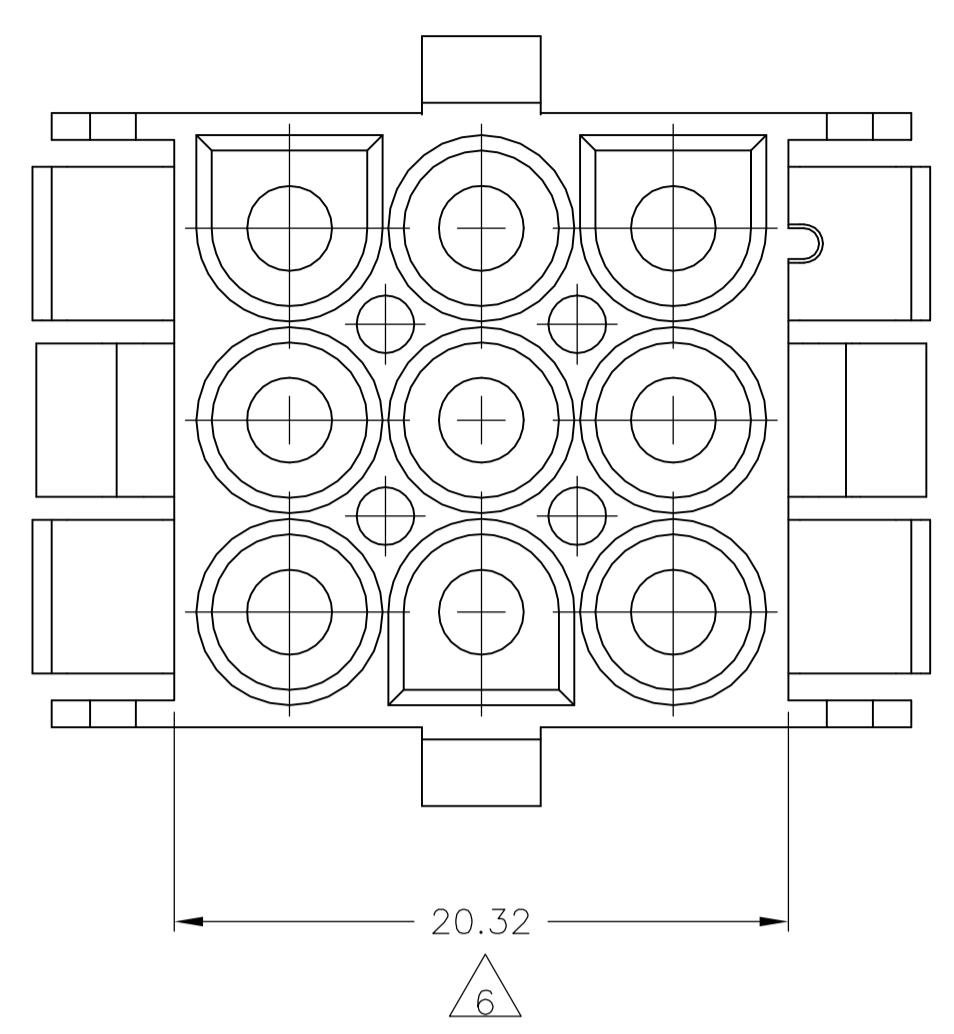
Customer Support

- [Email or Chat With Us](#)
- [Find a Phone Number](#)
- [Knowledge Base](#)
- [Manage Your Account](#)

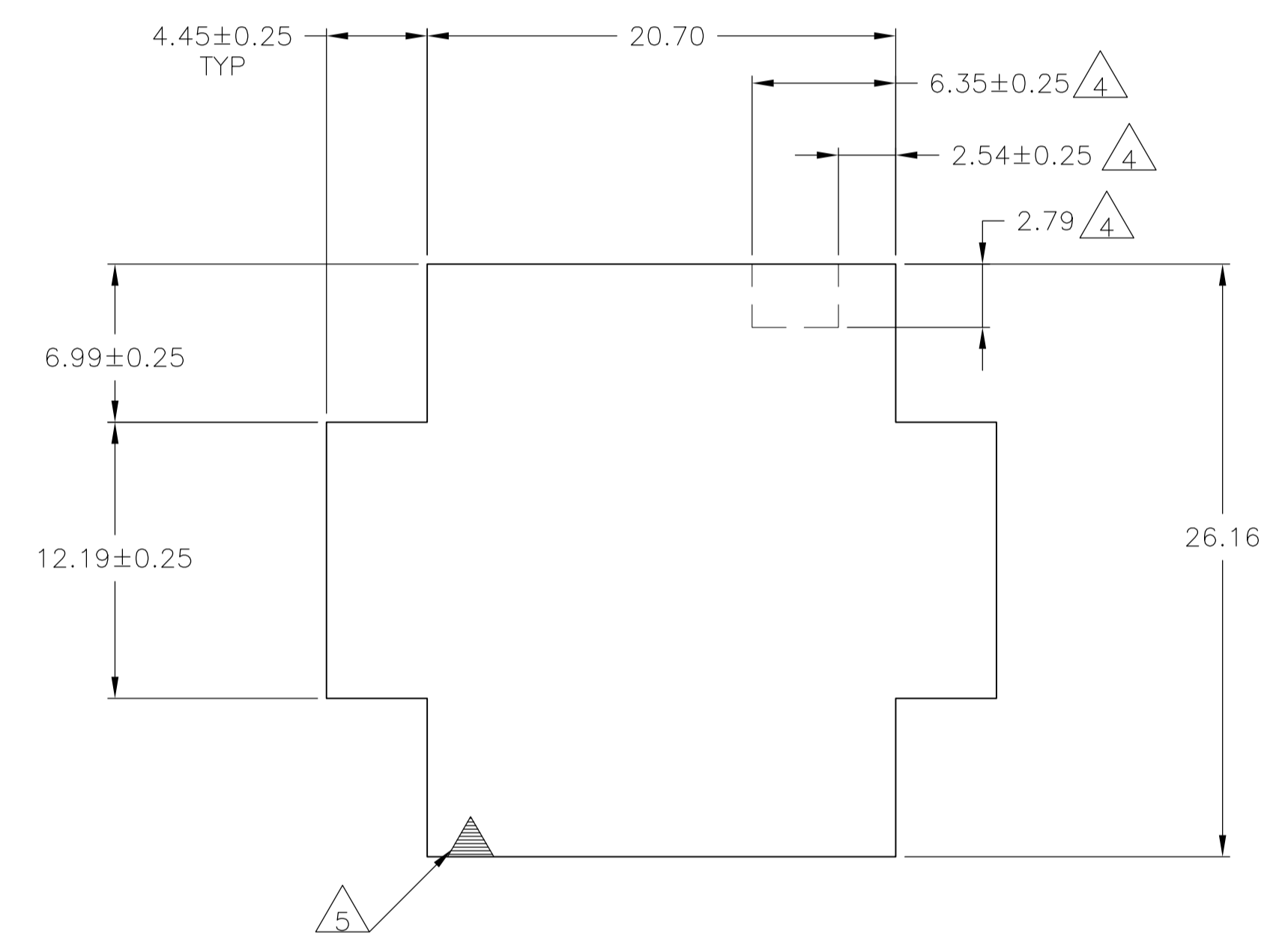
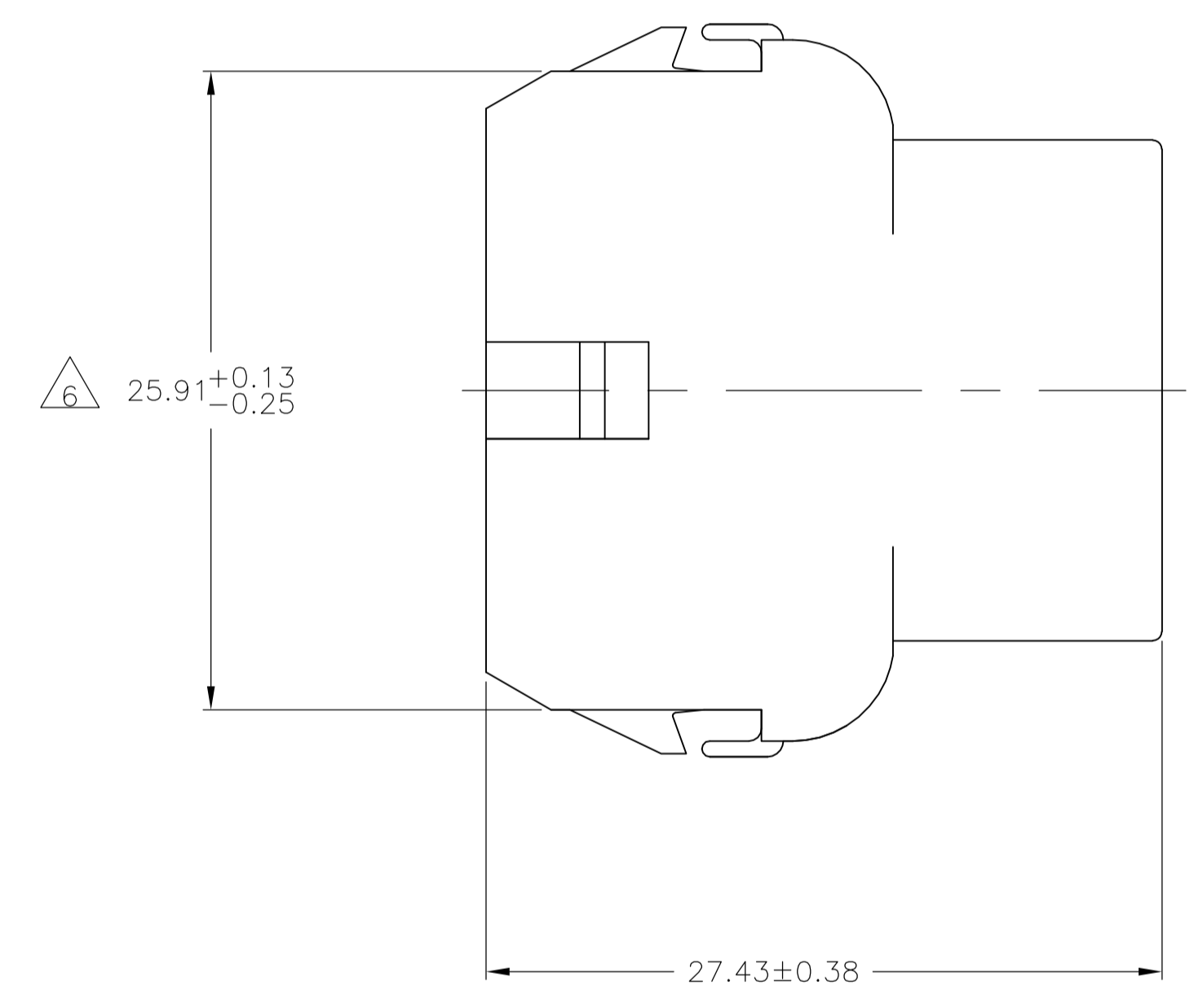
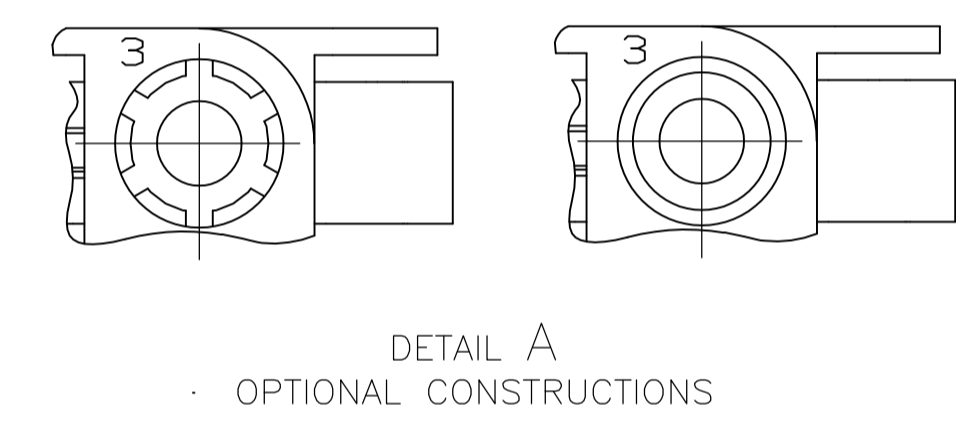
Keep Me Informed



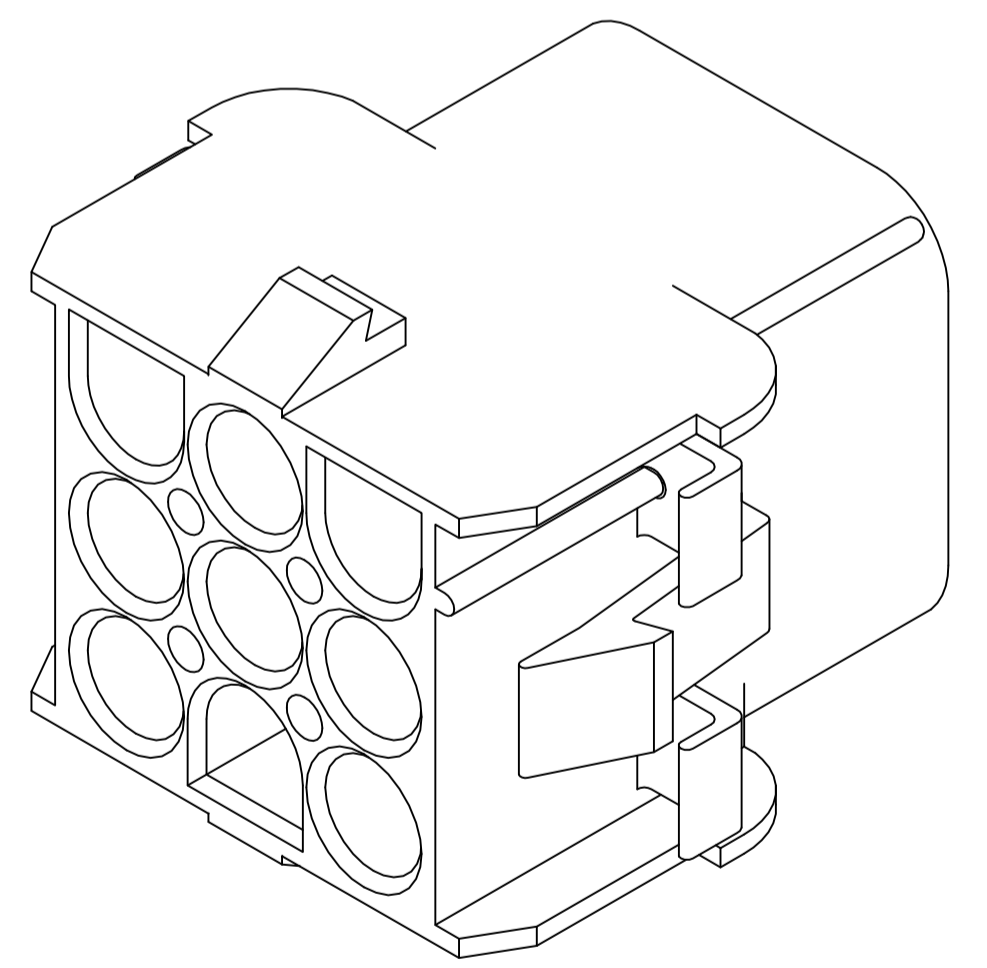
LOC	DIST	REVISIONS			
CM	00	REV	DATE	BY	APP'D
AK2		REVISED PER ECO-11-004587	11MAR11	RK	HMR



1. MATES WITH APPROPRIATE UNIVERSAL MATE-N-LOK™ PLUG.
2. RECOMMENDED PANEL THICKNESS 0.76 - 2.29.
3. PANEL MUST BE PUNCHED SO THAT THE HOUSING ENTERS THE PANEL IN THE SAME DIRECTION AS THE PUNCH.
4. OPTIONAL FOR KEYING HOUSING IN PANEL.
5. CIRCUIT NUMBER 1 LOCATION.
6. DIMENSION REPRESENTS POTENTIAL MAXIMUM GROWTH DUE TO MOISTURE ABSORPTION.
7. FOUR RIBS EQUALLY SPACED, NO SPECIFIC ORIENTATION. NO RIBS OR SIX RIBS EQUALLY SPACED, NO SPECIFIC ORIENTATION, OPTIONAL.
8. UNDERWRITERS RECOGNIZED COMPONENT LOGO AND CSA CERTIFICATION LOGO TO BE LOCATED ONCE EACH ON SIDE OF HOUSING.
9. OBSOLETE PARTS: OBSOLETE CIS STREAMLINING PER D.RENAUD/D.SINISI



RECOMMENDED PANEL CUT OUT



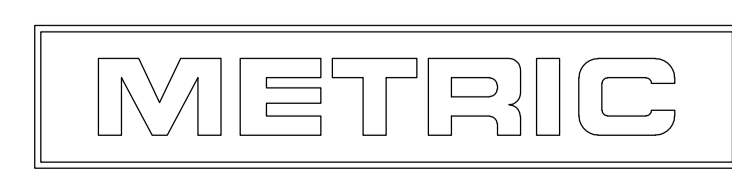
3-DIMENSIONAL MODEL
NTS

6.35	.250	-	-
4.45	.175	27.43	1.080
2.79	.110	26.43	1.041
2.54	.100	25.91	1.020
2.29	.090	20.70	.815
0.76	.030	20.32	.800
0.38	.015	12.19	.480
0.25	.010	8.13	.320
0.13	.005	6.99	.275
MM	IN	MM	IN

CONVERSION TABLE

Color	Part No
BLACK	1-480707-9
GRAY	1-480707-8
BLUE	1-480707-6
GREEN	1-480707-5
YELLOW	1-480707-4
ORANGE	1-480707-3
RED	1-480707-2
BROWN	1-480707-1
NATURAL	1-480707-0
COLOR	PART NO

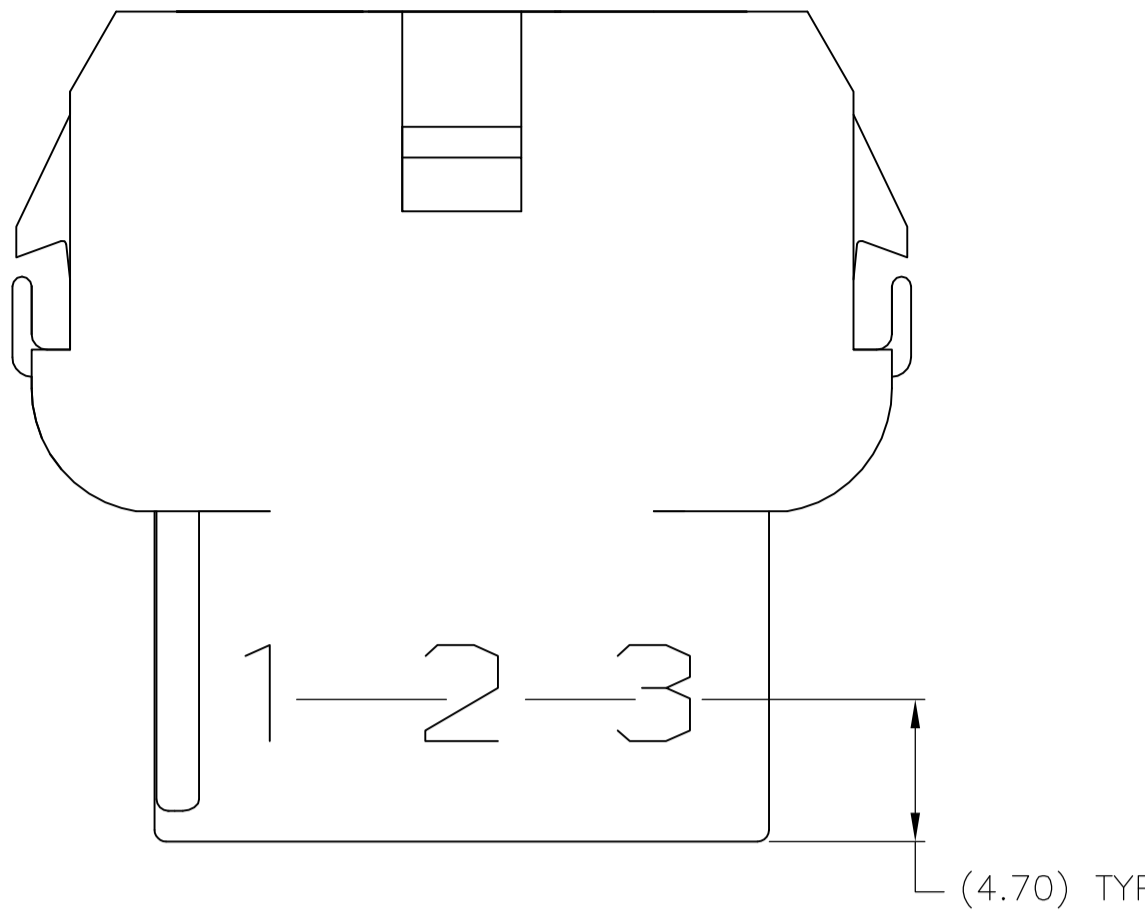
9 OBSOLETE
SUPERSEDED BY 1-480707-0



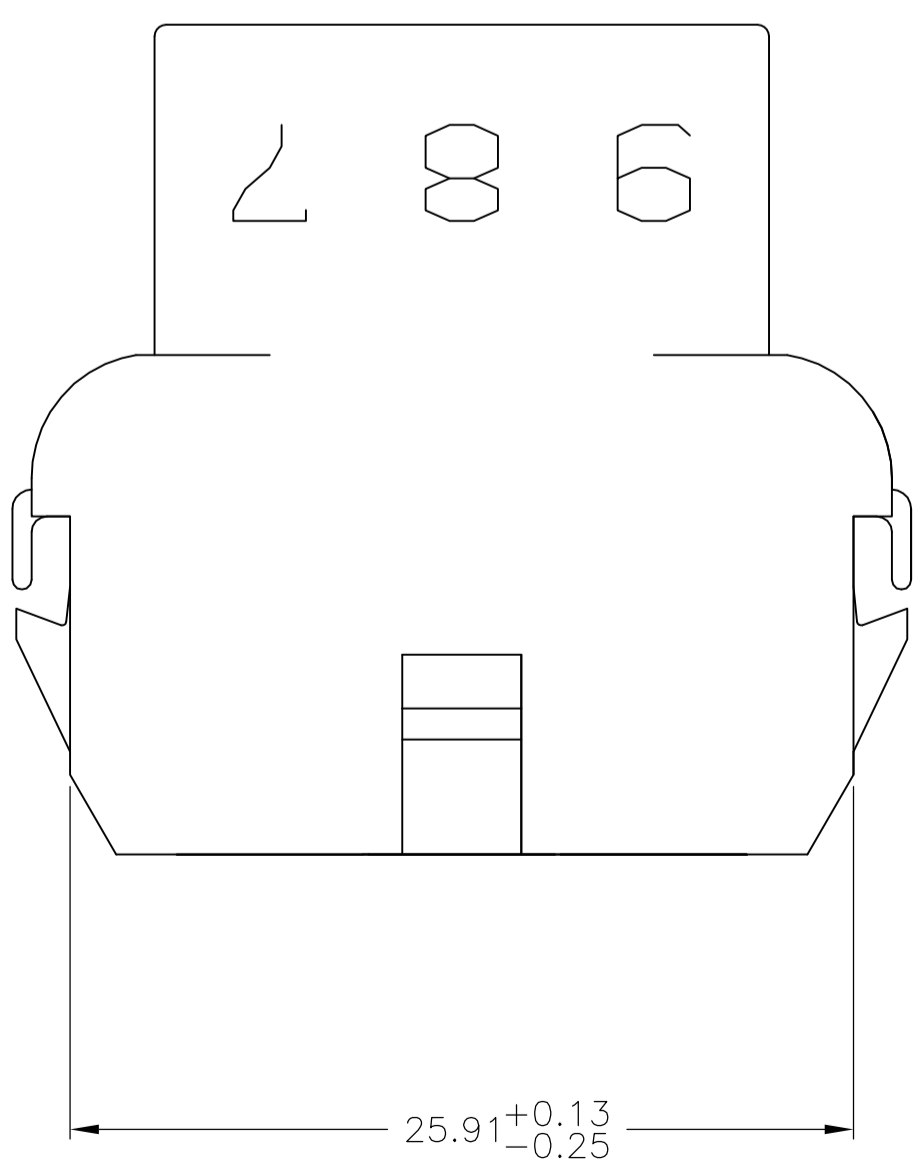
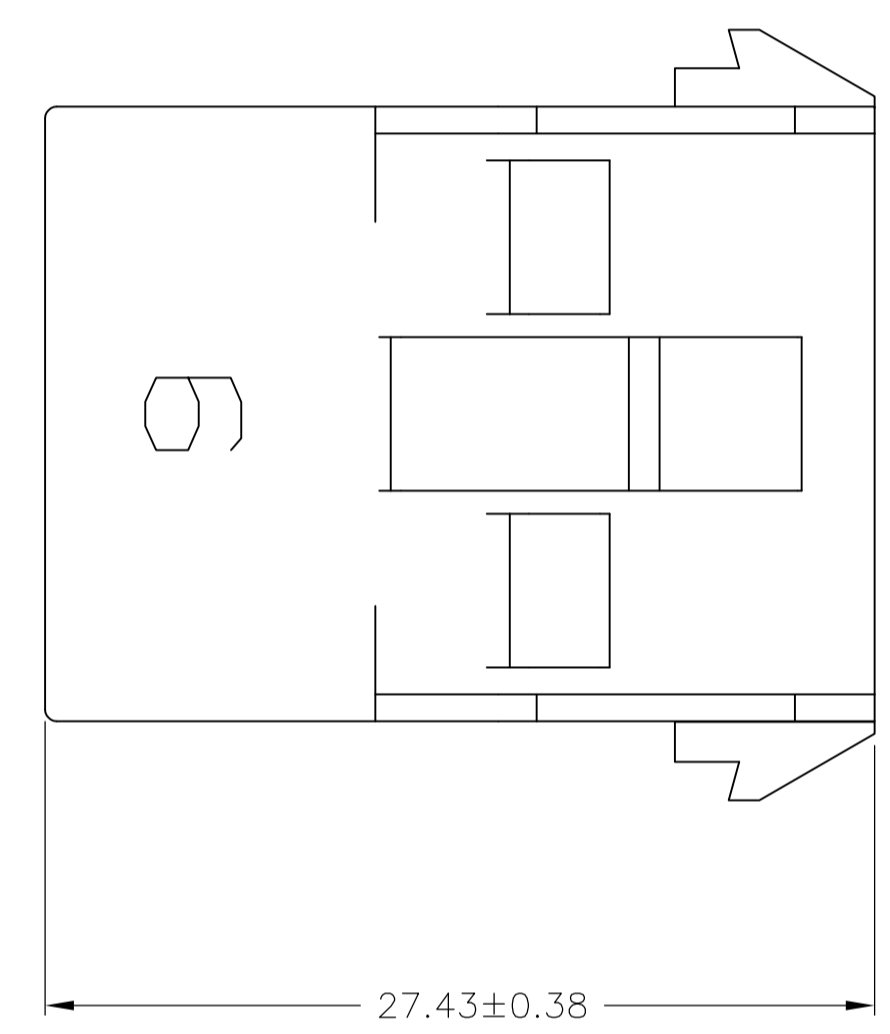
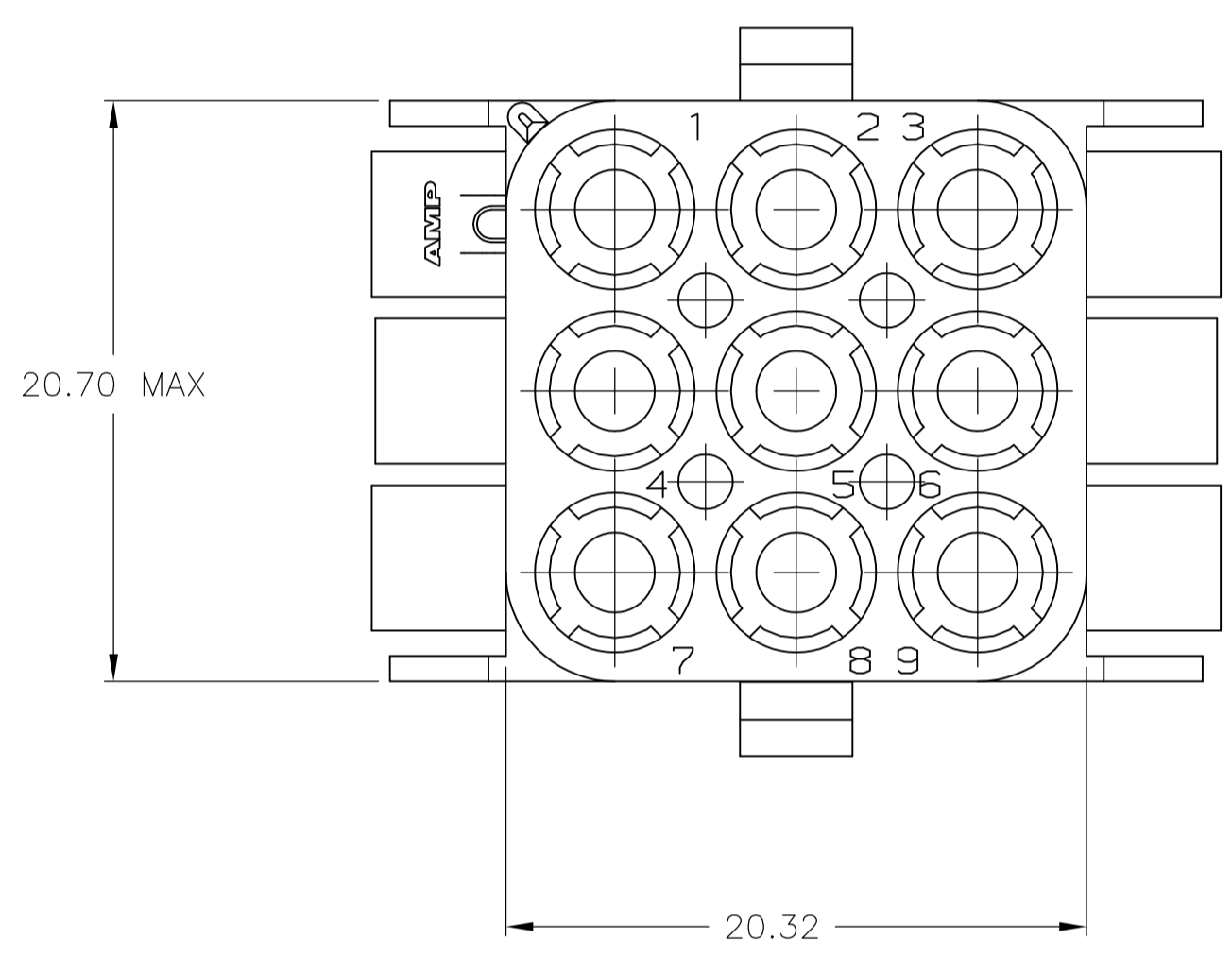
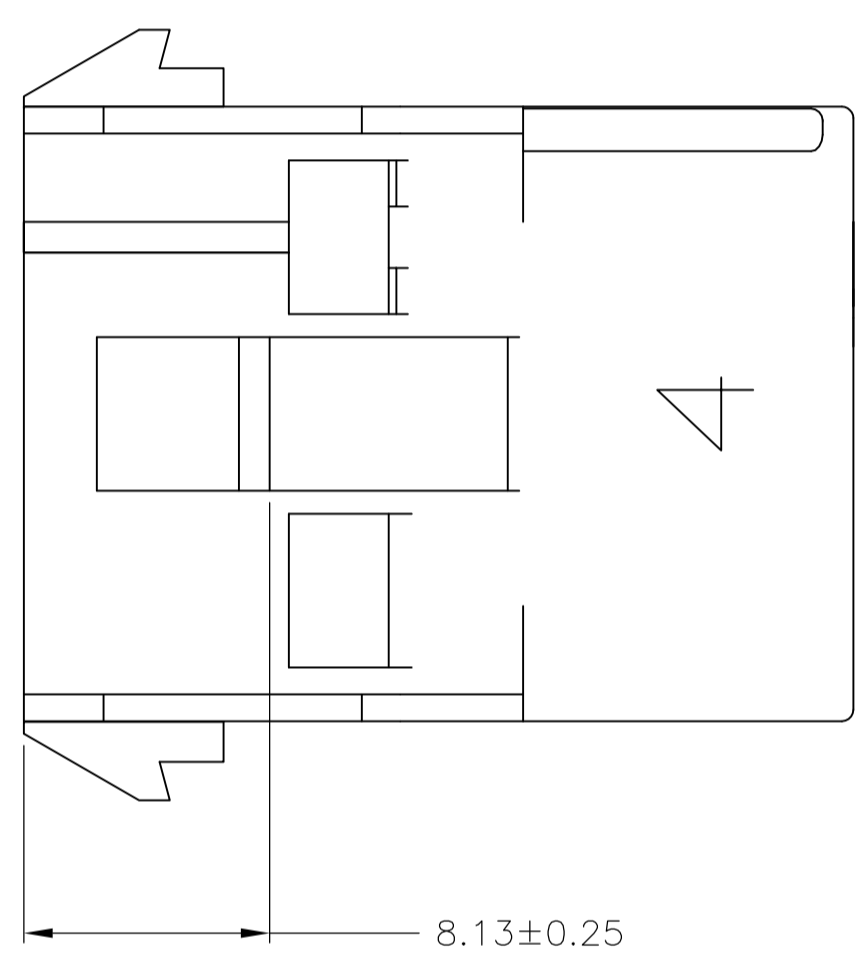
THIS DRAWING IS A CONTROLLED DOCUMENT.

DW: K. WHITAKER	29JUL04	TE Connectivity CAP, 9 CIRCUIT, UNIVERSAL MATE-N-LOK(TM)
CHK: S. RIDGILL	29JUL04	
APP'D: S. RIDGILL	29JUL04	
NAME: S. RIDGILL	29JUL04	
DIMENSIONS: mm	TOLERANCES UNLESS OTHERWISE SPECIFIED:	PRODUCT SPEC
0. PLC ± -	1. PLC ± -	APPLICATION SPEC
2. PLC ± 0.13	3. PLC ± -	SIZE: A1
4. PLC ± -	ANGLES ± 0.30°	CAGE CODE: 00779
MATERIAL: NYLON, UL94V-2	FINISH: -	DRAWING NO: 480707
WEIGHT: -	RESTRICTED TO: -	CUSTOMER DRAWING

SCALE: 4:1 SHEET: 1 OF 2 REV: AK2

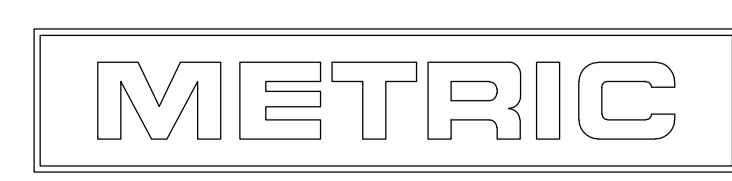


1. STAMP NUMBERS 3.18 HIGH AT WIRE END OF HOUSING (12 POINT DAVID TYPE); CLARIFICATION MARKS UNDER THE 6 & 9.
2. CHARACTERS TO BE STAMPED ON HOUSING IN A MANNER AS TO BE READ FROM WIRE END ONLY.
3. VIOLET, BLACK, BROWN, AND BLUE COLORED BLOCKS TO BE STAMPED WITH WHITE CHARACTERS. ALL OTHER COLORED BLOCKS TO BE STAMPED WITH BLACK CHARACTERS.



5.08	.200	-	-
4.70	.185	27.43	1.080
3.18	.125	25.91	1.020
0.38	.015	20.70	.815
0.25	.010	20.32	.800
0.13	.005	8.13	.320
MM	IN	MM	IN

CONVERSION TABLE



THIS DRAWING IS A CONTROLLED DOCUMENT.		DIN K. WHITAKER 29JUL04	NATURAL 2-480707-0	
		CHK S. RIDGILL 29JUL04	COLOR PART NO	
		APVD S. RIDGILL 29JUL04	TE Connectivity	
		NAME		
DIMENSIONS: mm		TOLERANCES UNLESS OTHERWISE SPECIFIED:	CAP. 9 CIRCUIT. UNIVERSAL MATE-N-LOK(TM)	
		0. PLC ± -	SIZE CAGE CODE DRAWING NO	
		1. PLC ± -	RESTRICTED TO	
		2. PLC ± 0.13	A1 00779 C=480707	
		3. PLC ± -	CUSTOMER DRAWING	
		4. PLC ± -	SCALE 4:1 SHEET 2 OF 2 REV AK2	
		ANGLES ± ± 0°30'		
MATERIAL NYLON, UL94V-2		FINISH -		