

Distributed by:

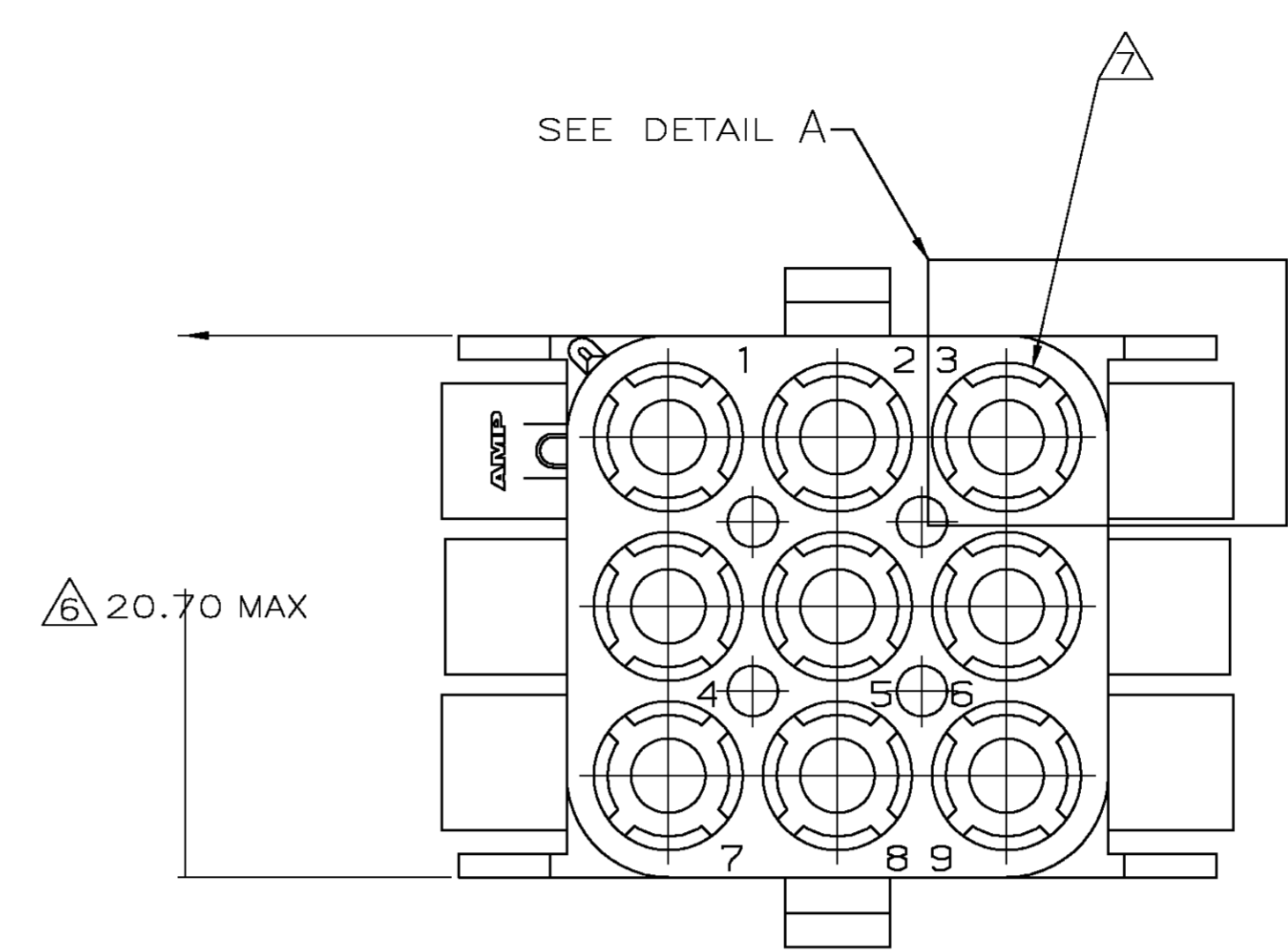
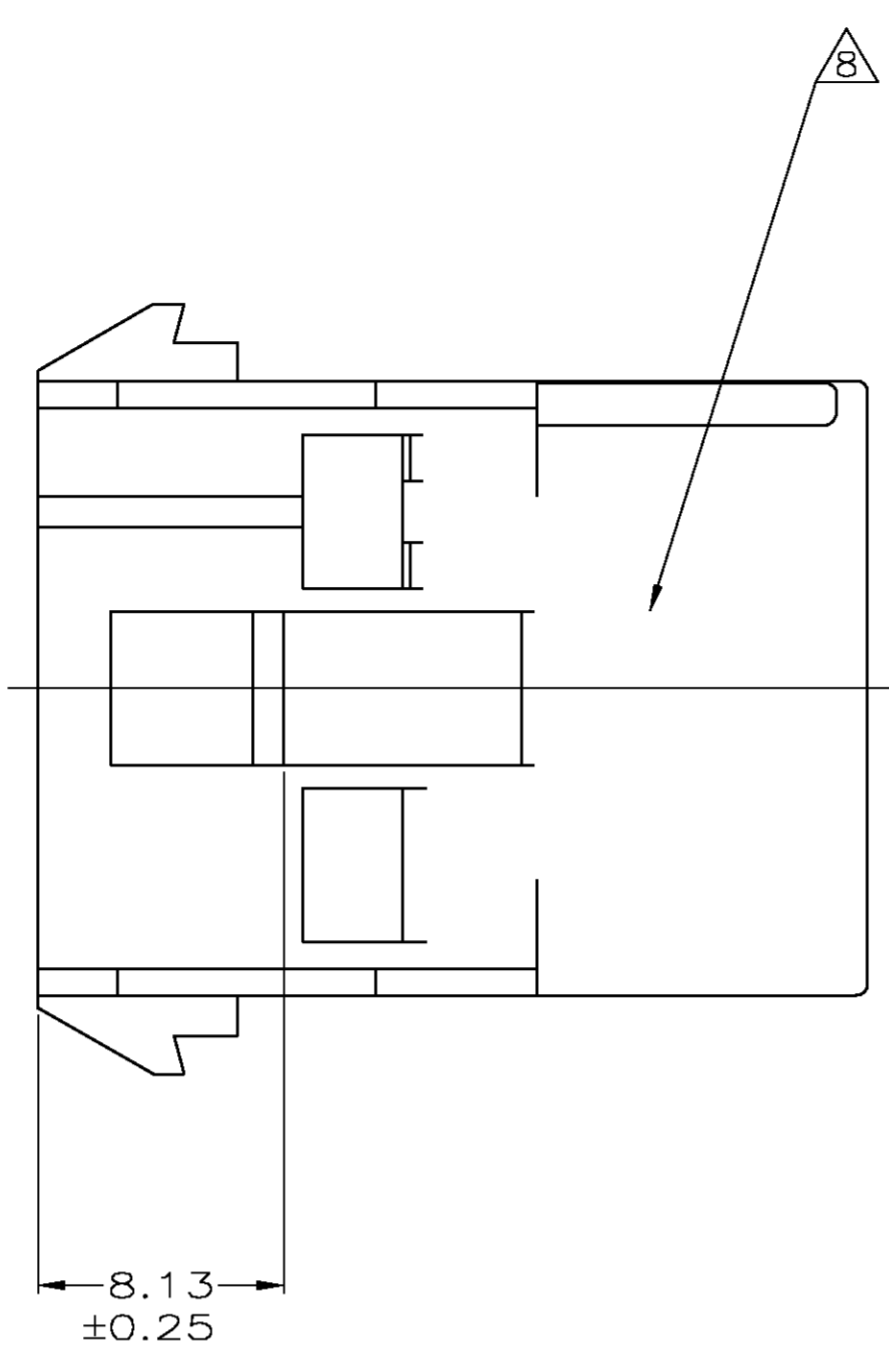
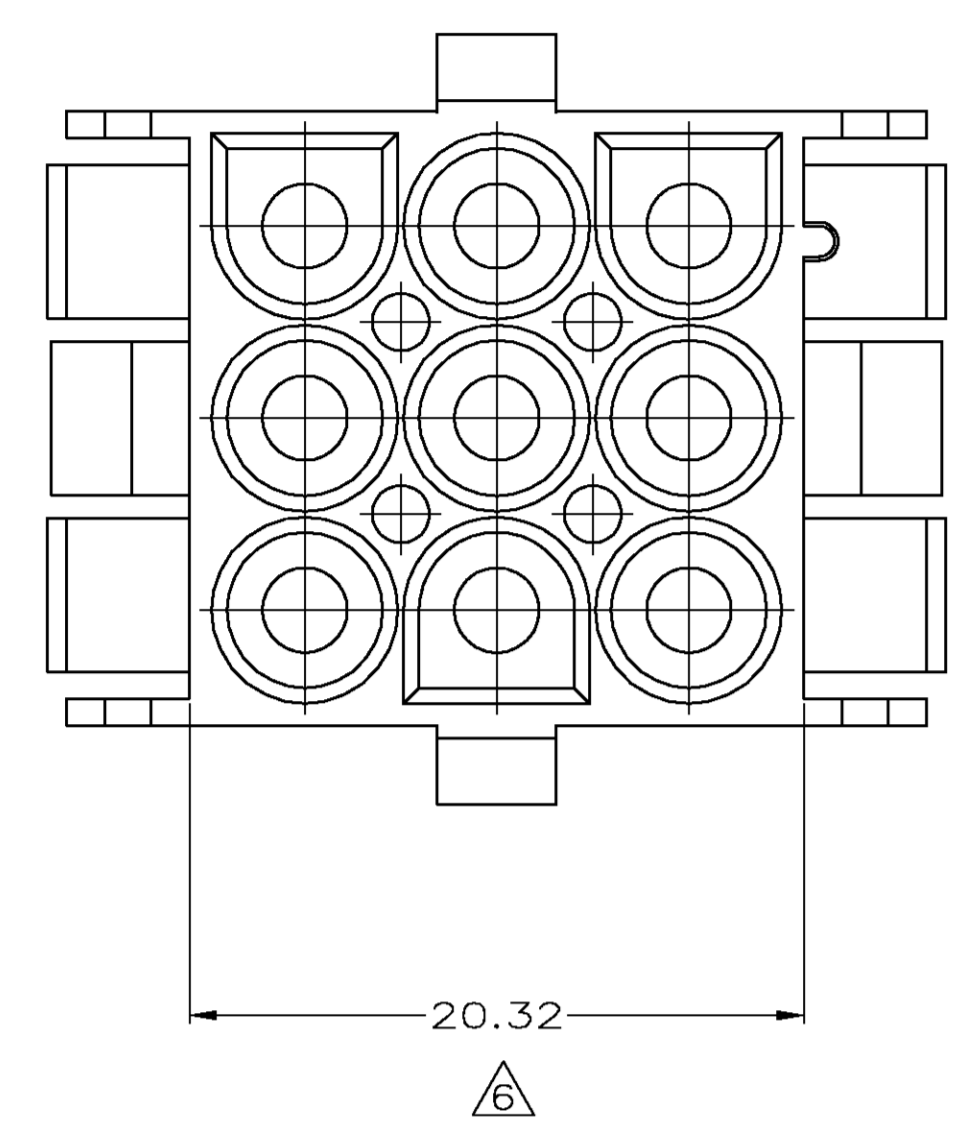
JAMECO[®]
ELECTRONICS

www.Jameco.com ♦ 1-800-831-4242

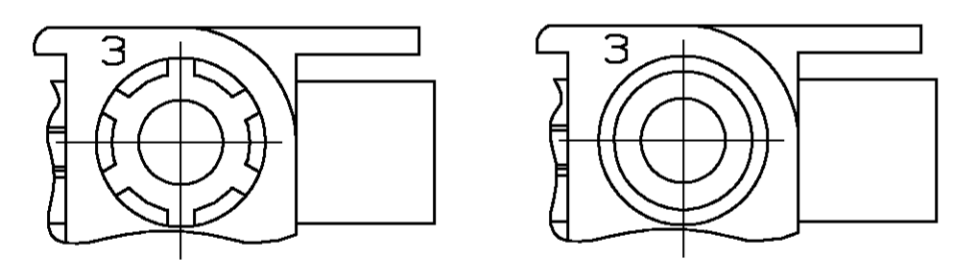
The content and copyrights of the attached
material are the property of its owner.

Jameco Part Number 526782

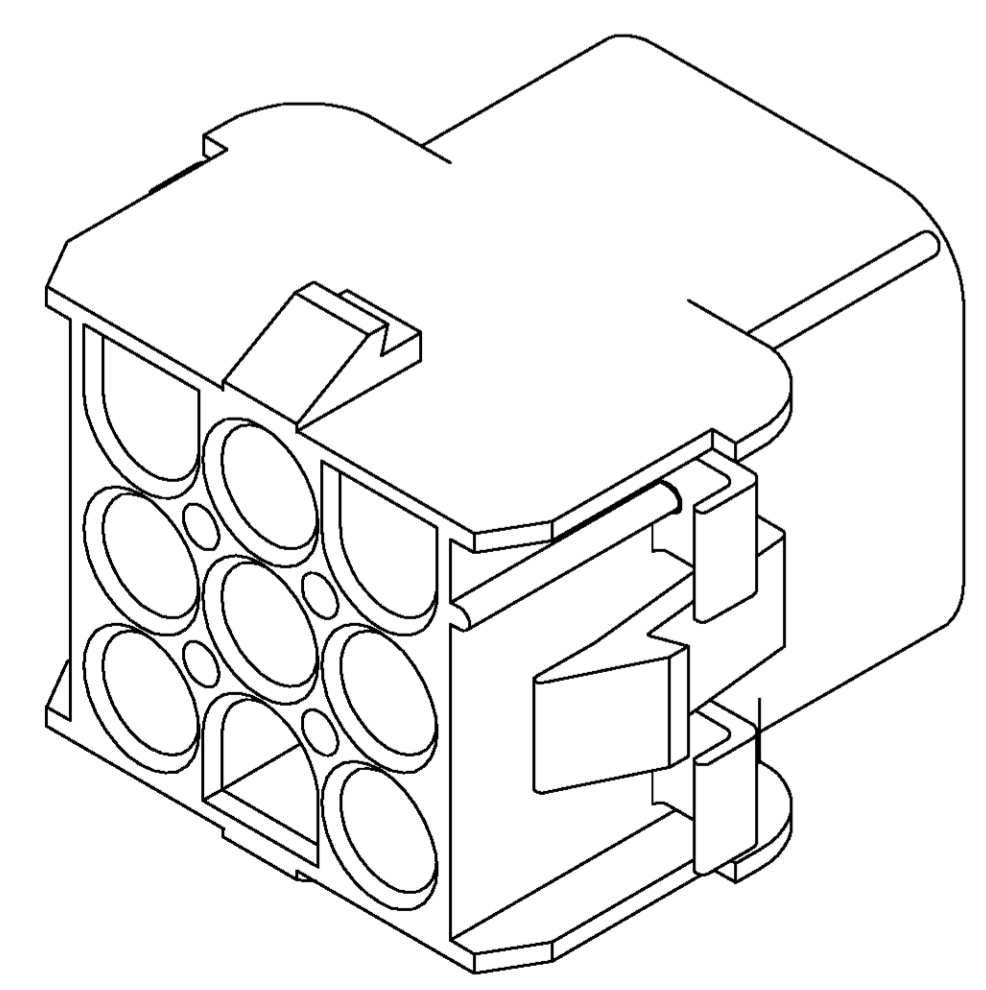
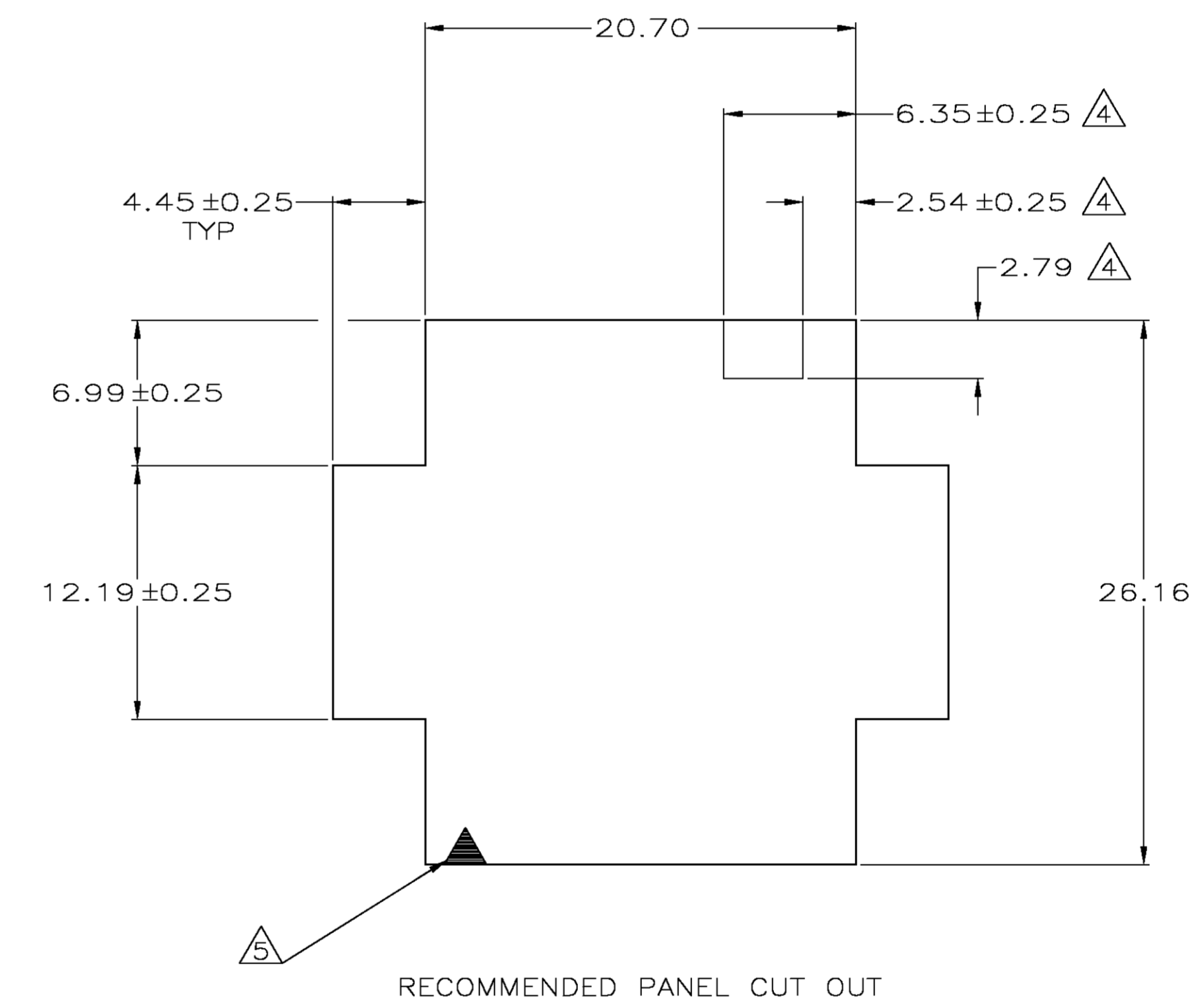
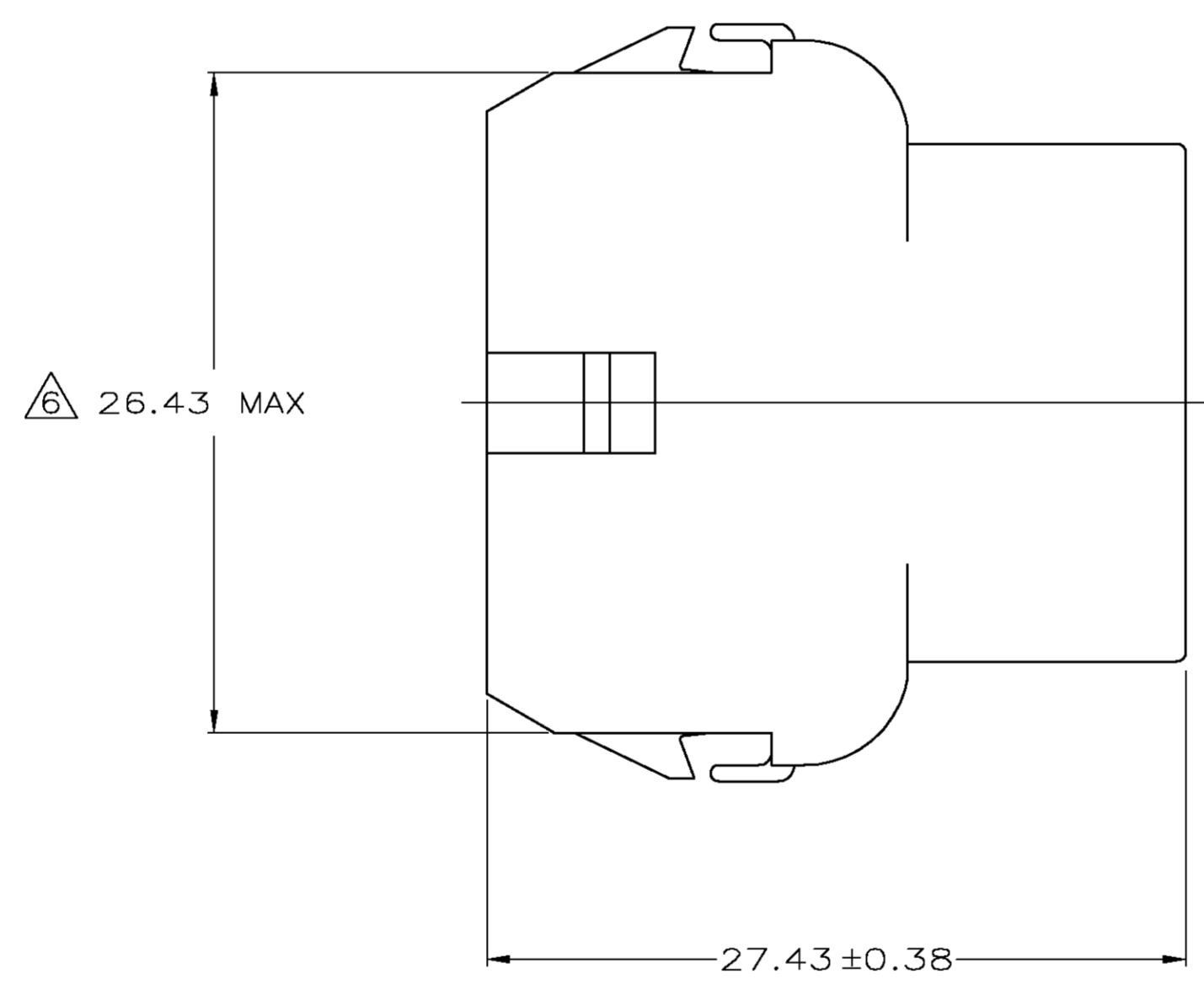
LOC		DIST		REVISIONS			
P	LR	DESCRIPTION	DATE	DN	APD		
AJ		REVISED PER 063B-0448-04	29JUL04	KW	SR		



1. MATES WITH APPROPRIATE UNIVERSAL MATE-N-LOK™ PLUG.
2. RECOMMENDED PANEL THICKNESS 0.76 - 2.29.
3. PANEL MUST BE PUNCHED SO THAT THE HOUSING ENTERS THE PANEL IN THE SAME DIRECTION AS THE PUNCH.
4. OPTIONAL FOR KEYING HOUSING IN PANEL.
5. CIRCUIT NUMBER 1 LOCATION.
6. DIMENSION REPRESENTS POTENTIAL MAXIMUM GROWTH DUE TO MOISTURE ABSORPTION.
7. FOUR RIBS EQUALLY SPACED, NO SPECIFIC ORIENTATION. NO RIBS OR SIX RIBS EQUALLY SPACED, NO SPECIFIC ORIENTATION, OPTIONAL.
8. UNDERWRITERS RECOGNIZED COMPONENT LOGO AND CSA CERTIFICATION LOGO TO BE LOCATED ONCE EACH ON SIDE OF HOUSING.



DETAIL A
OPTIONAL CONSTRUCTIONS



3-DIMENSIONAL MODEL
NTS

MM	IN	MM	IN
6.35	.250	27.43	1.080
4.45	.175	26.43	1.041
2.79	.110	26.16	1.030
2.54	.100	20.70	.815
2.29	.090	20.32	.800
0.76	.030	12.19	.480
0.38	.015	8.13	.320
0.25	.010	6.99	.275
MM	IN	MM	IN

CONVERSION TABLE

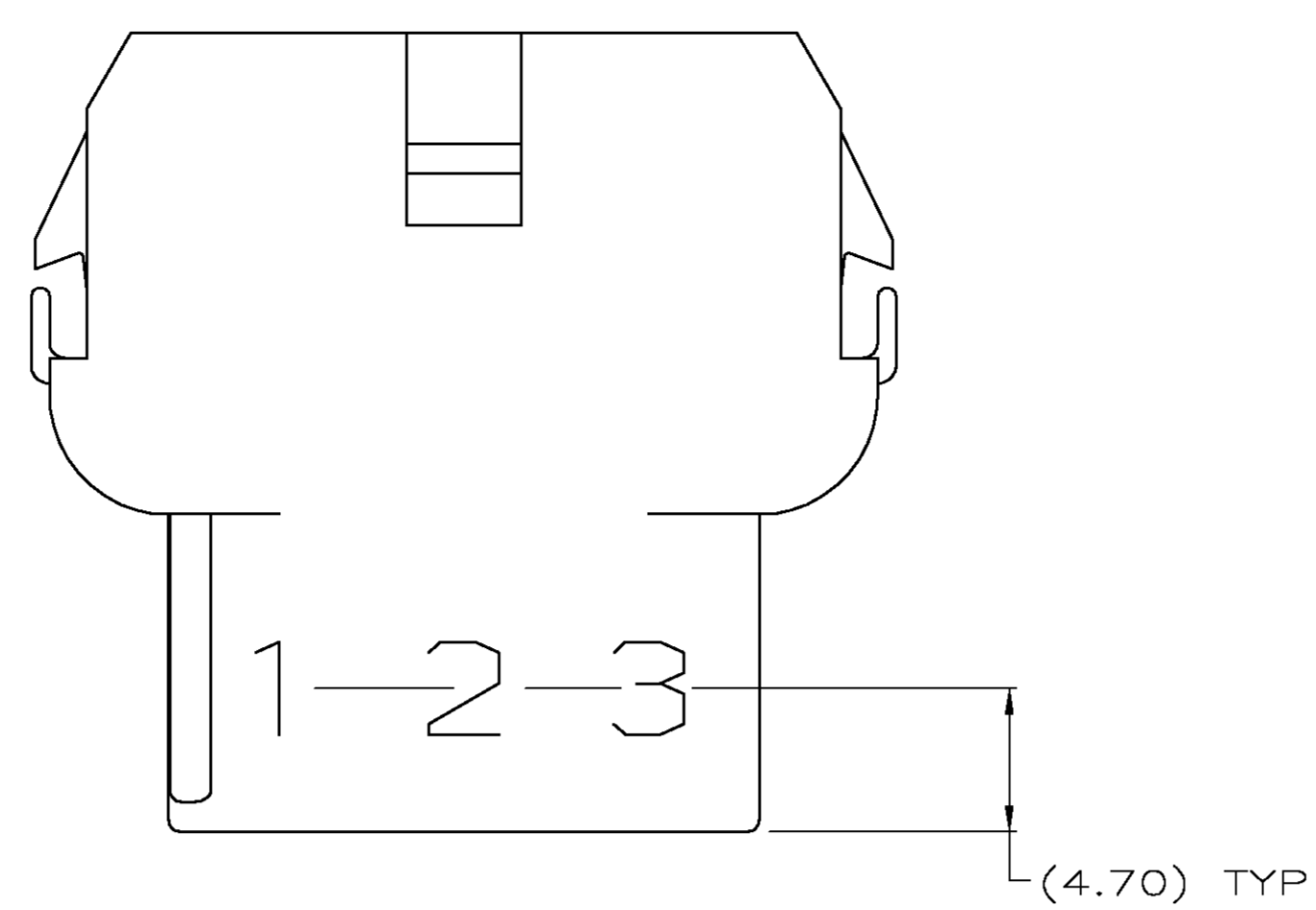
METRIC

BLACK	1-480707-9
RED	1-480707-2
BROWN	1-480707-1
NATURAL	1-480707-0
COLOR	PART NO

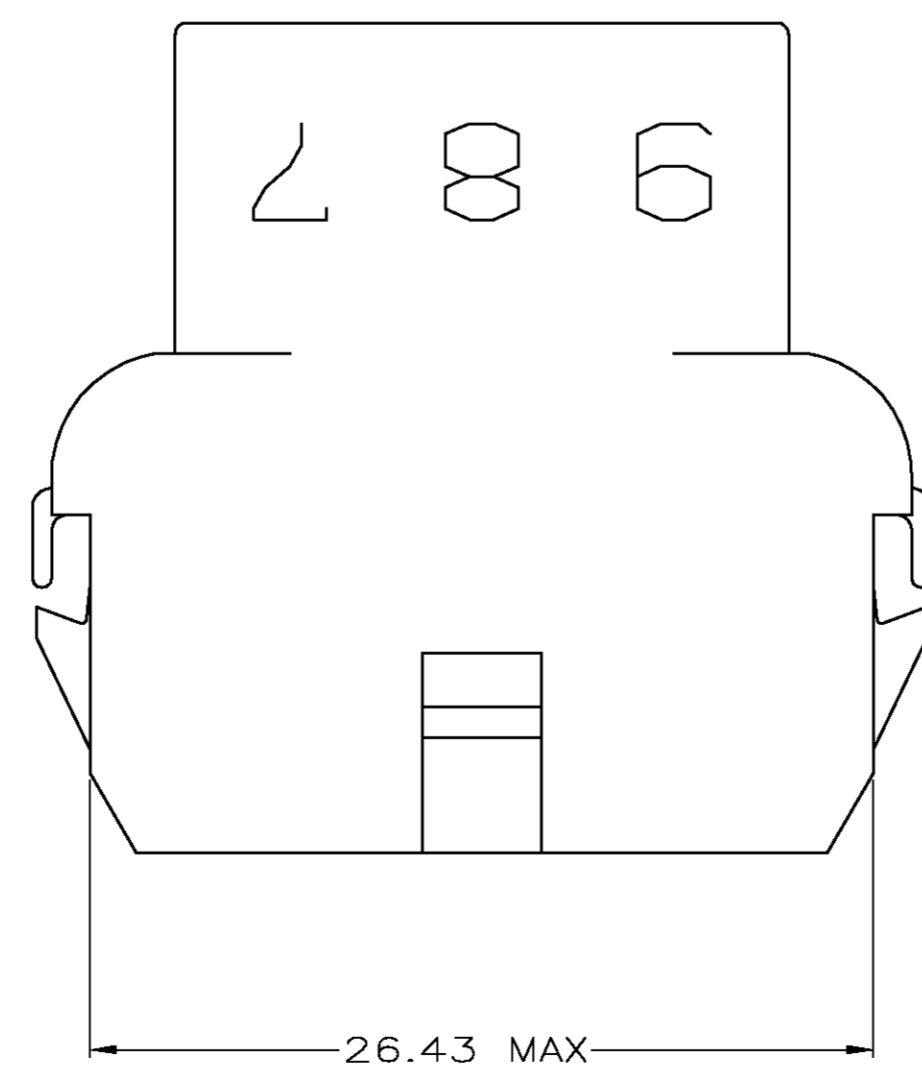
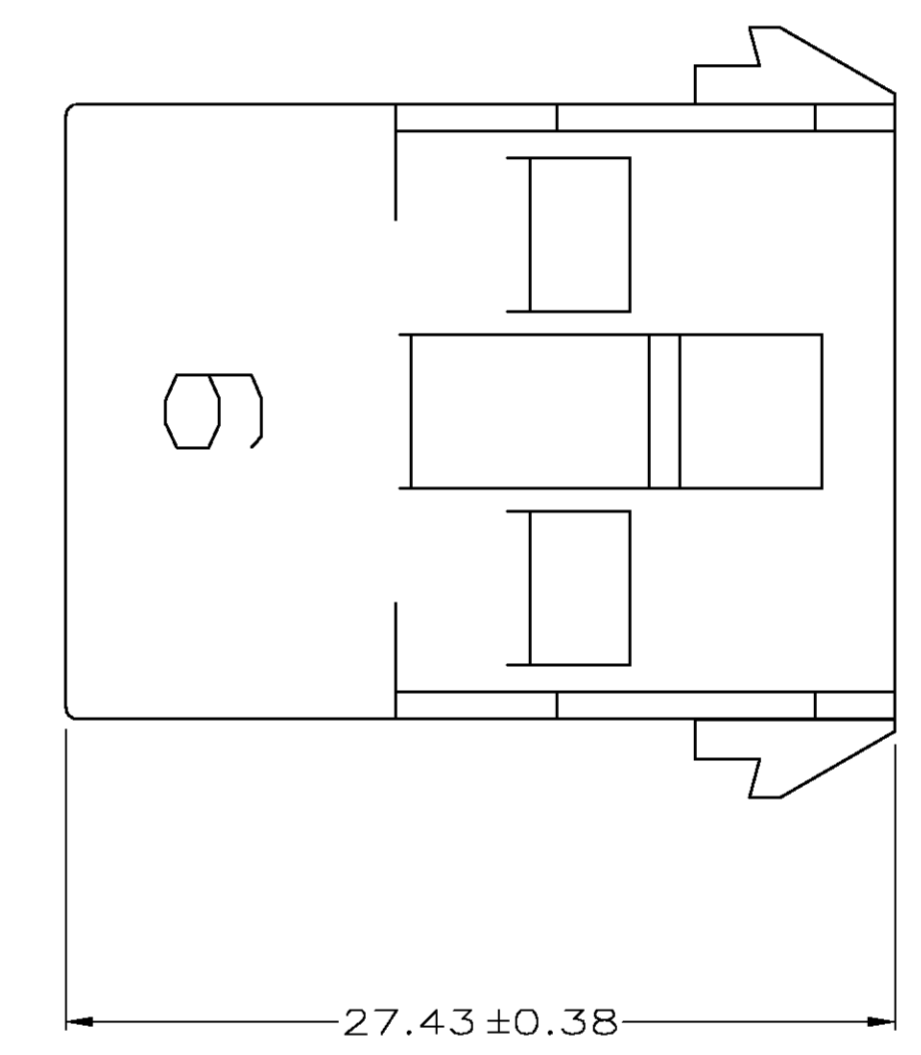
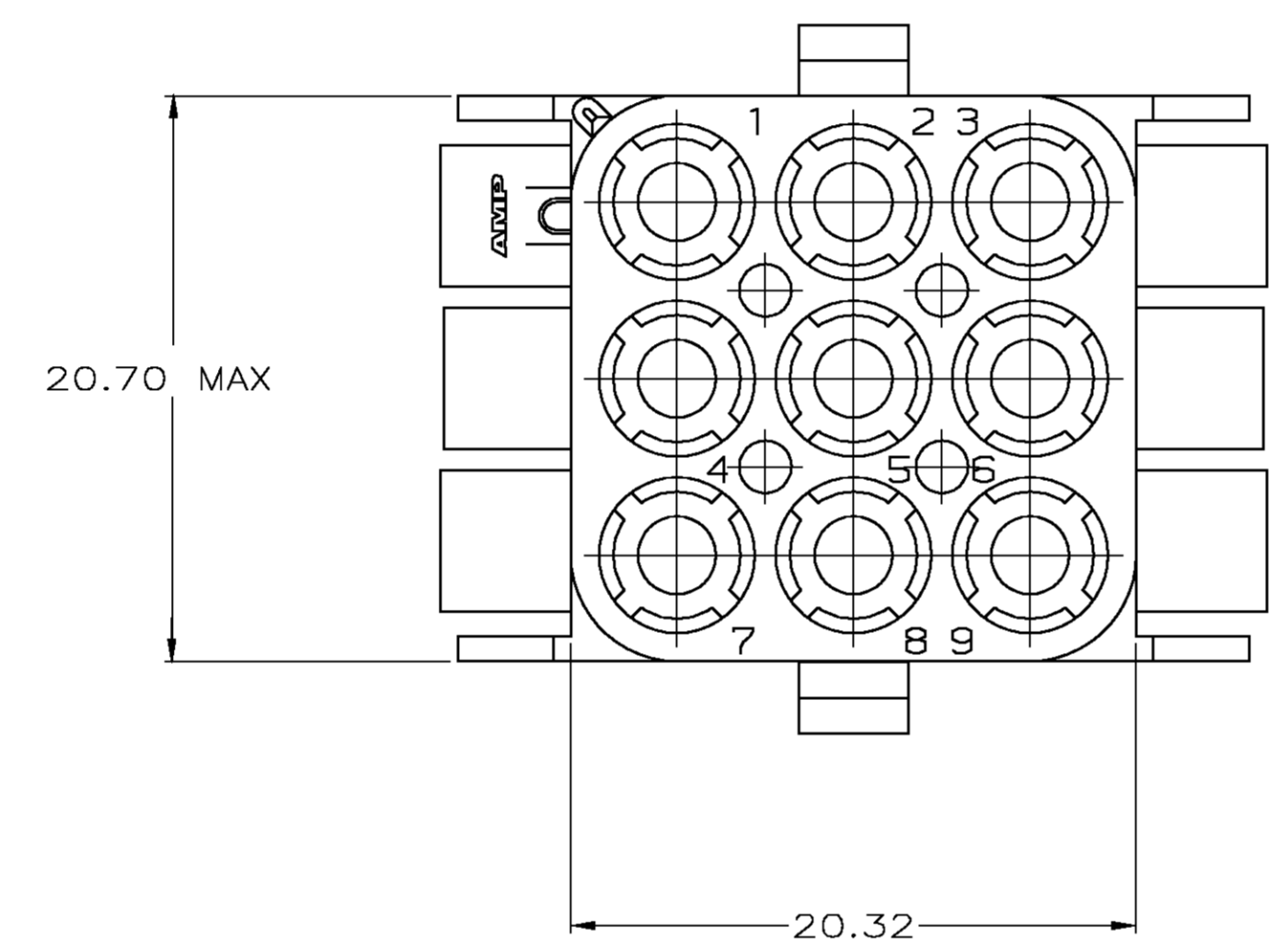
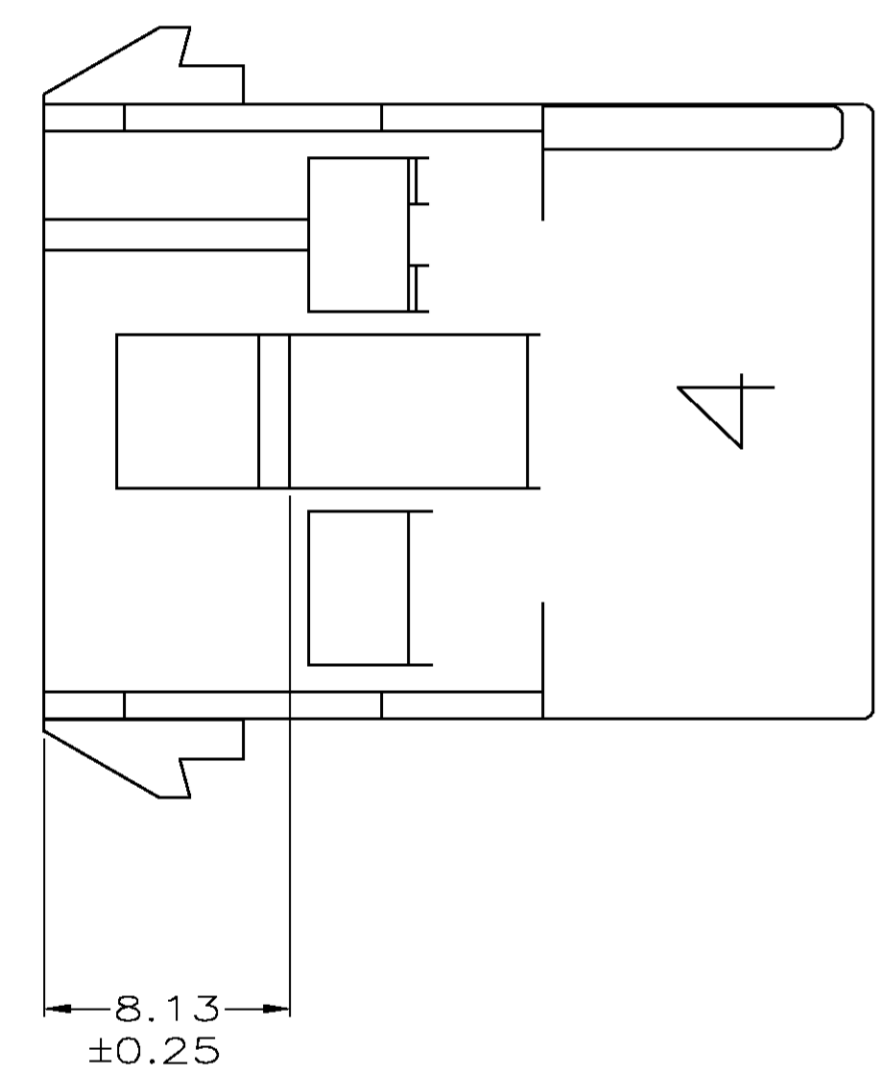
THIS DRAWING IS A CONTROLLED DOCUMENT.

DIMENSIONS: mm	TOLERANCES UNLESS OTHERWISE SPECIFIED:	DWG: K. WHITAKER 29JUL2004	CHK: S. RIDGILL 29JUL2004	APVD: S. RIDGILL 29JUL2004	NAME: S. RIDGILL	TYCO Electronics	Tyco Electronics Corporation Greensboro, NC 27409
0 PLC ± -	1 PLC ± -	2 PLC ± 0.13	3 PLC ± -	4 PLC ± -	ANGLES ± 0.30°		
MATERIAL: NYLON, UL94V-2	FINISH: -	SIZE: A1	CAGE CODE: 00779	DRAWING NO: 480707	RESTRICTED TO: -		
CUSTOMER DRAWING		SCALE: 4:1	SHEET: 1 OF 2	REV: AJ			

LOC	DIST	REVISIONS			
P	LR	DESCRIPTION	DATE	DRN	APVD
CM	00	SEE SHEET 1	-	-	-



1. STAMP NUMBERS 3.18 HIGH AT WIRE END OF HOUSING (12 POINT DAVID TYPE); CLARIFICATION MARKS UNDER THE 6 & 9.
2. CHARACTERS TO BE STAMPED ON HOUSING IN A MANNER AS TO BE READ FROM WIRE END ONLY.
3. VIOLET, BLACK, BROWN, AND BLUE COLORED BLOCKS TO BE STAMPED WITH WHITE CHARACTERS. ALL OTHER COLORED BLOCKS TO BE STAMPED WITH BLACK CHARACTERS.



METRIC

MM	IN	MM	IN
5.08	.200	-	-
4.70	.185	27.43	1.080
3.18	.125	26.43	1.041
0.38	.015	20.70	.815
0.25	.010	20.32	.800
0.13	.005	8.13	.320

CONVERSION TABLE

NATURAL	2-480707-0
COLOR	PART NO

THIS DRAWING IS A CONTROLLED DOCUMENT.

DIMENSIONS: mm	TOLERANCES UNLESS OTHERWISE SPECIFIED:	DRN: K. WHITAKER 29JUL2004		Tyco Electronics Corporation Greensboro, NC 27409
0 PLC ± - 1 PLC ± - 2 PLC ± - 3 PLC ± 0.13 4 PLC ± - ANGLES ± 0.30°	APVD: S. RIDGILL 29JUL2004 PRODUCT SPEC APPLICATION SPEC	NAME: S. RIDGILL CAP, 9 CIRCUIT, UNIVERSAL MATE-N-LOK™		
MATERIAL: -	FINISH: -	WEIGHT: -	SIZE: A1	CAGE CODE: 00779 DRAWING NO: 480707 RESTRICTED TO: -

CUSTOMER DRAWING SCALE 4:1 SHEET 2 OF 2 REV AJ