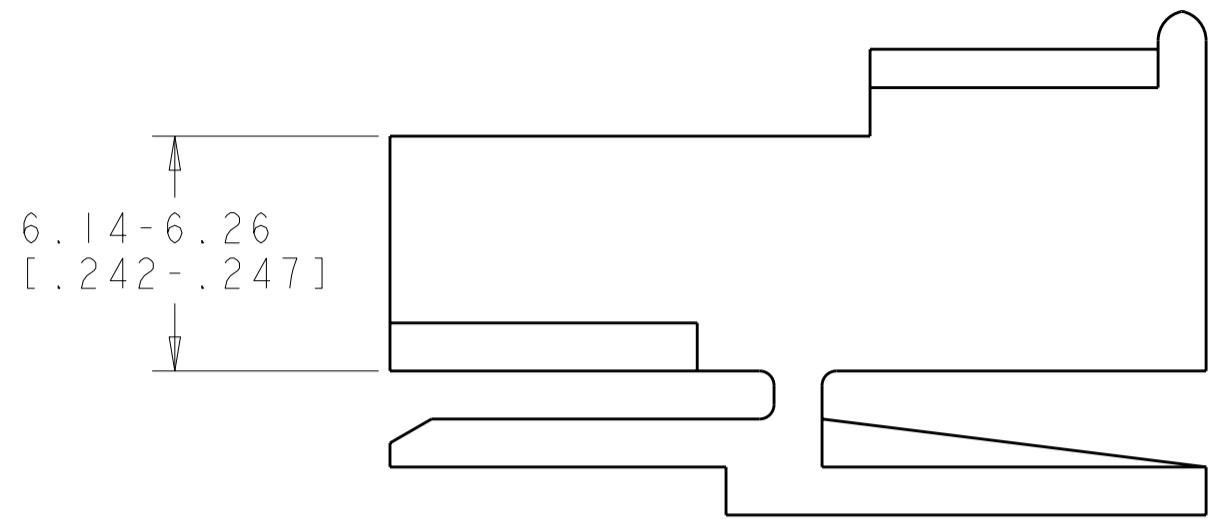
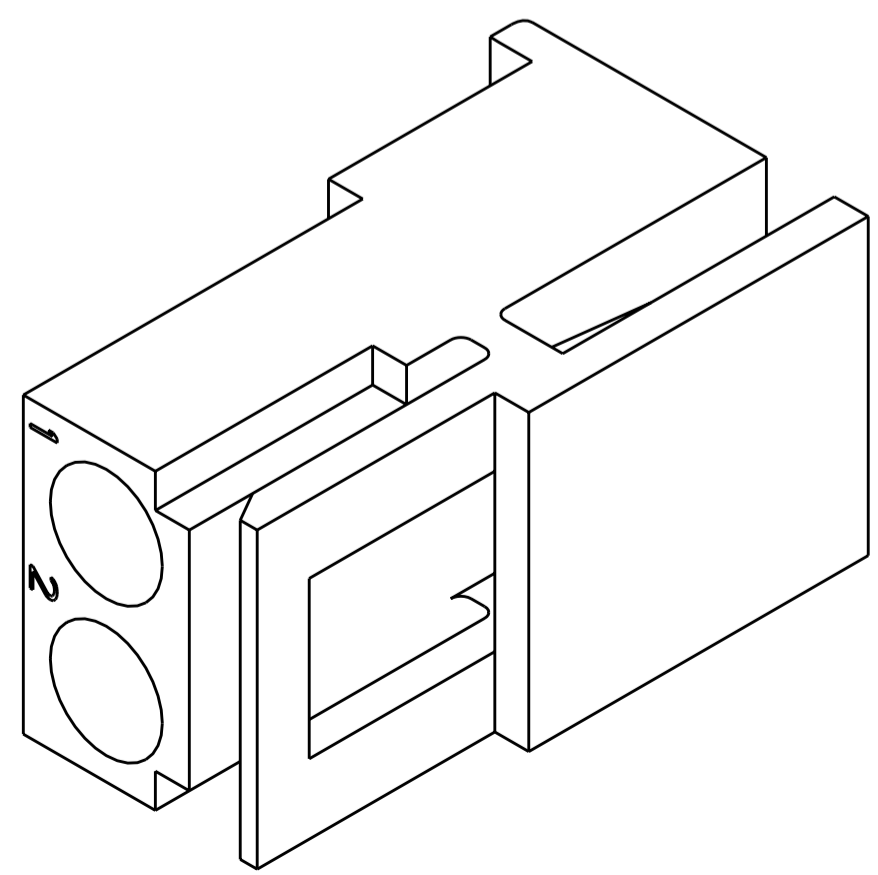
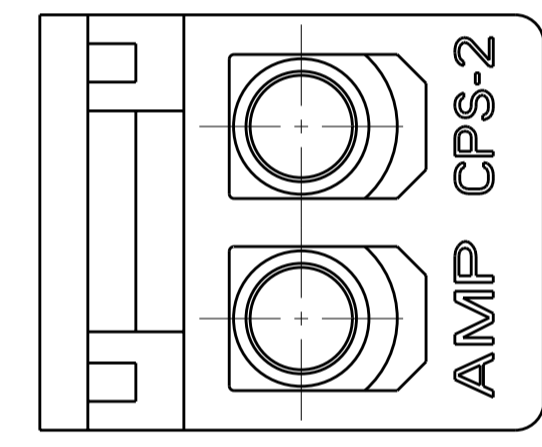
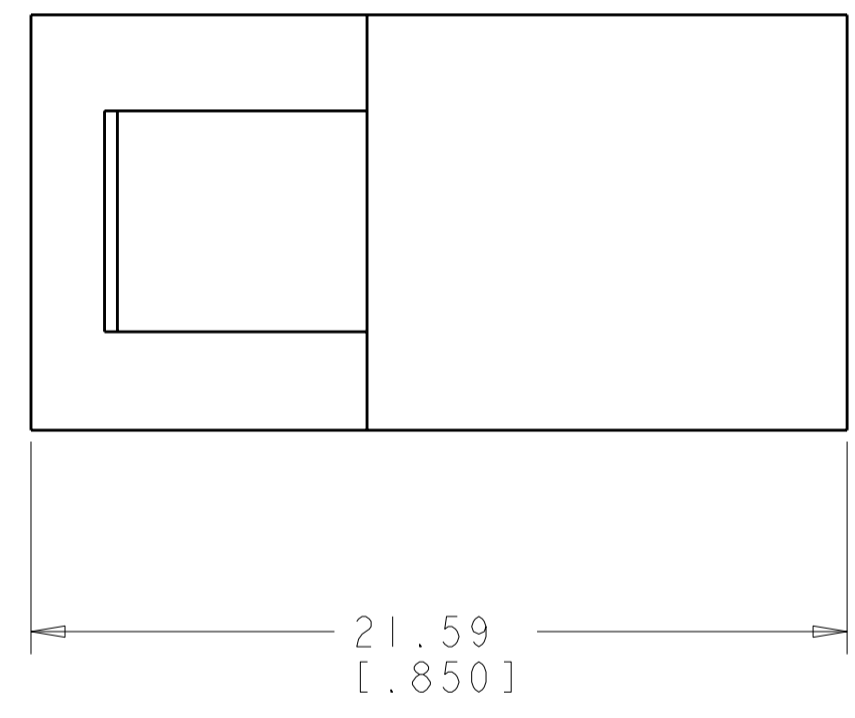
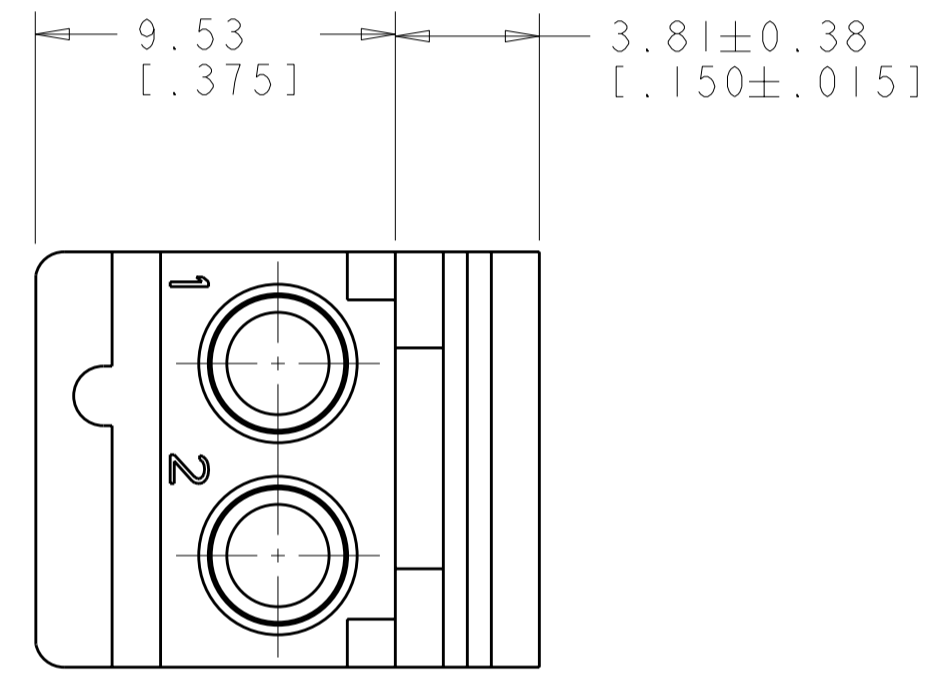


THIS DRAWING IS UNPUBLISHED. RELEASED FOR PUBLICATION 20  
 © COPYRIGHT 20 BY TYCO ELECTRONICS CORPORATION. ALL RIGHTS RESERVED.

| LOC | DIST | REVISIONS |     |               |           |     |      |
|-----|------|-----------|-----|---------------|-----------|-----|------|
| CM  | 00   | P         | LTR | DESCRIPTION   | DATE      | DWN | APVD |
|     |      |           | J   | ECO-08-007175 | 20MAR2008 | KW  | CC   |
|     |      |           |     |               |           |     |      |
|     |      |           |     |               |           |     |      |



1. MATES WITH HEADER 350539, 350540.
2. TO BE USED WITH COMMERCIAL MATE-N-LOK™ SOCKETS.
3. MATES WITH CAP HOUSING 794012.



|                       |             |
|-----------------------|-------------|
| 0.078 IN <sup>3</sup> | 1-480720-0  |
| VOLUME                | PART NUMBER |

**METRIC**

|   |                   |                                 |  |                        |
|---|-------------------|---------------------------------|--|------------------------|
| THIS DRAWING IS A CONTROLLED DOCUMENT FOR TYCO ELECTRONICS CORPORATION. IT IS SUBJECT TO CHANGE AND THE CONTROLLING ENGINEERING ORGANIZATION SHOULD BE CONTACTED FOR THE LATEST REVISION. |                   | DWN<br>K. WHITAKER<br>27FEB2008 | Tyco Electronics<br>Harrisburg, PA 17105-3608            |                        |
| DIMENSIONS:<br>mm [ INCHES ]  |                   | CHK<br>C. CASH<br>27FEB2008     | NAME<br>PLUG,<br>2 CIRCUIT,<br>COMMERCIAL MATE-N-LOK(TM) |                        |
| TOLERANCES UNLESS OTHERWISE SPECIFIED:<br>0 PLC ±-<br>1 PLC ±-<br>2 PLC ±0.13 [.005]<br>3 PLC ±-<br>4 PLC ±-<br>ANGLES ±0°30'<br>FINISH   |                   | APVD<br>C. CASH<br>27FEB2008    | RESTRICTED TO  |                        |
| MATERIAL<br>NYLON, NATURAL  | PRODUCT SPEC<br>- | APPLICATION SPEC<br>-           | SIZE<br>A200779  | DRAWING NO<br>C-480720 |
| CUSTOMER DRAWING  |                   | WEIGHT<br>-                     | SCALE<br>5:1   | SHEET 1 OF 1 REV J     |