

Distributed by:

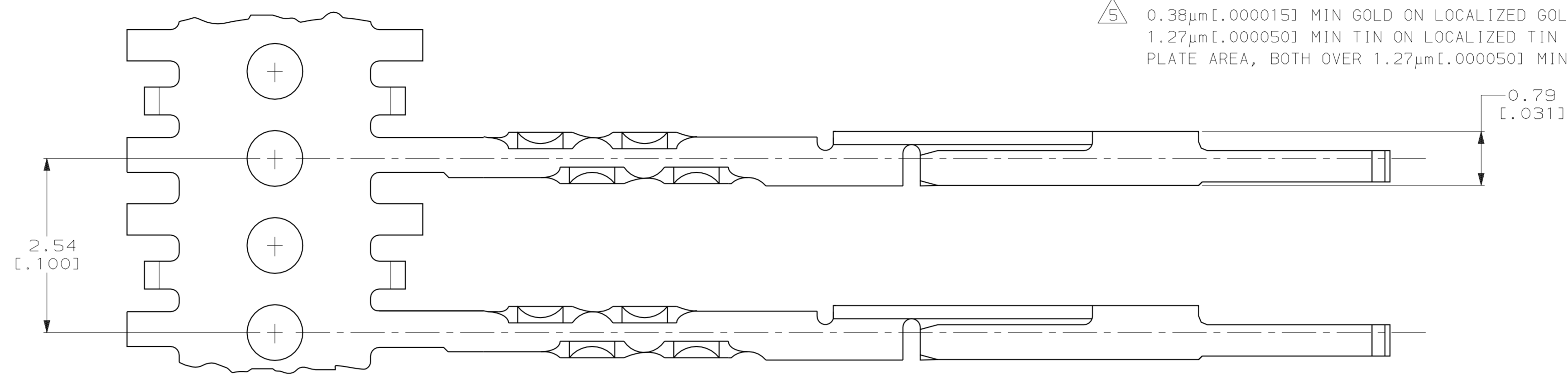
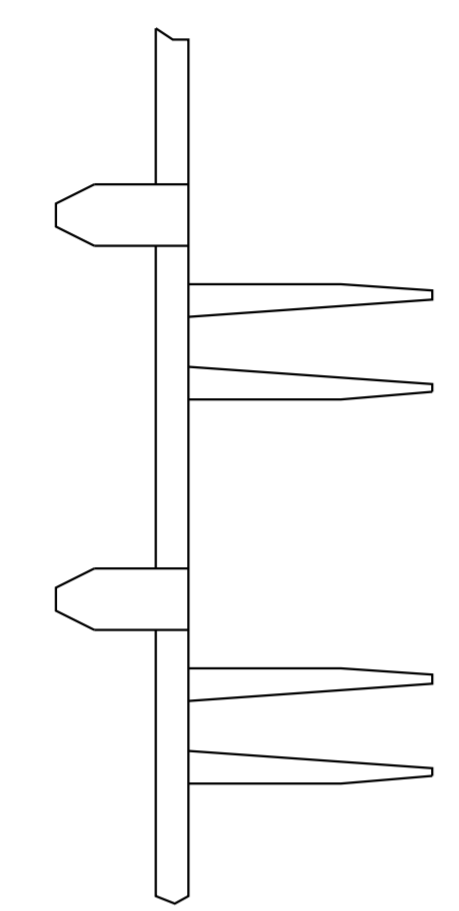
**JAMECO**<sup>®</sup>  
ELECTRONICS

**www.Jameco.com ♦ 1-800-831-4242**

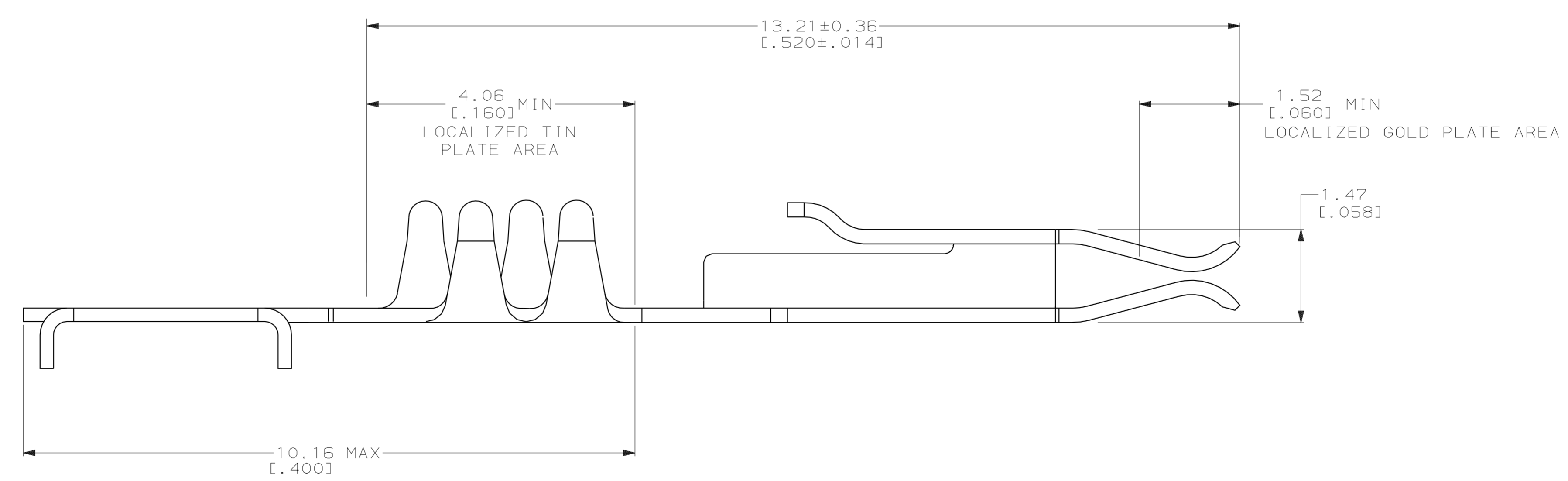
The content and copyrights of the attached  
material are the property of its owner.

Jameco Part Number 889444

LOC		DIST		P		F		ZONE		LTR		REVISIONS			
GP	00											DESCRIPTION	DATE	APPD	
												L	REV PER EC 0513-0204-05	13-SEP-05	JG



- 1. 0.76µm [0.00030] MIN GOLD ON LOCALIZED GOLD PLATE AREA, 2.54µm [0.00100] MIN TIN-LEAD ON LOCALIZED TIN PLATE AREA, BOTH OVER 1.27µm [0.00050] MIN NICKEL ON ENTIRE CONTACT.
- 2. 0.38µm [0.00015] MIN GOLD ON LOCALIZED GOLD PLATE AREA, 1.27µm [0.00050] MIN TIN ON LOCALIZED TIN PLATE AREA, BOTH OVER 1.27µm [0.00050] MIN NICKEL ON ENTIRE CONTACT.
- 3. ACCEPTS 0.38±0.03 [0.015±0.001] SQUARE POST, 3.18-8.89 [0.125-0.350] LONG.
- 4. 0.76µm [0.00030] MIN GOLD ON LOCALIZED GOLD PLATE AREA, 2.54µm [0.00100] MIN TIN ON LOCALIZED TIN PLATE AREA, BOTH OVER 1.27µm [0.00050] MIN NICKEL ON ENTIRE CONTACT.
- 5. 0.38µm [0.00015] MIN GOLD ON LOCALIZED GOLD PLATE AREA, 1.27µm [0.00050] MIN TIN ON LOCALIZED TIN PLATE AREA, BOTH OVER 1.27µm [0.00050] MIN NICKEL ON ENTIRE CONTACT.



5	1-487547-2
4	1-487547-1
2	487547-9
1	487547-1
FINISH	PART NO

DO NOT SCALE PRINT. UNLESS SPECIFIED DIMENSIONS IN mm [INCHES]		DR 05/05/92 L.SIPE		<b>AMP</b> AMP Incorporated Harrisburg, PA 17105-3608	
TOLERANCES - ON :		CHK 5-13-92 R.STONE			
2 PLC DEC ± 0.13 [0.005]		APPD 5-14-92 G.MILLER		NAME	
3 PLC DEC ± 0.013 [0.0005]		PRODUCT SPEC 108-16022		CONTACT, RECEPTACLE, .050CL, FFC	
ANGLES ± -		APPLICATION SPEC 114-16008			
MATERIAL 0.216 [0.0085] THICK PHOSPHOR BRONZE		FINISH SEE TABLE		SIZE D	CAGE CODE 00779
THIS DRAWING IS A CONTROLLED DOCUMENT FOR AMP INCORPORATED. IT IS SUBJECT TO CHANGE AND THE CONTROLLING ENGINEERING ORGANIZATION SHOULD BE CONTACTED FOR THE LATEST REVISION.		WEIGHT -		DRAWING NO C=487547	SHEET 1 OF 1
				SCALE 20:1	CUSTOMER DRAWING