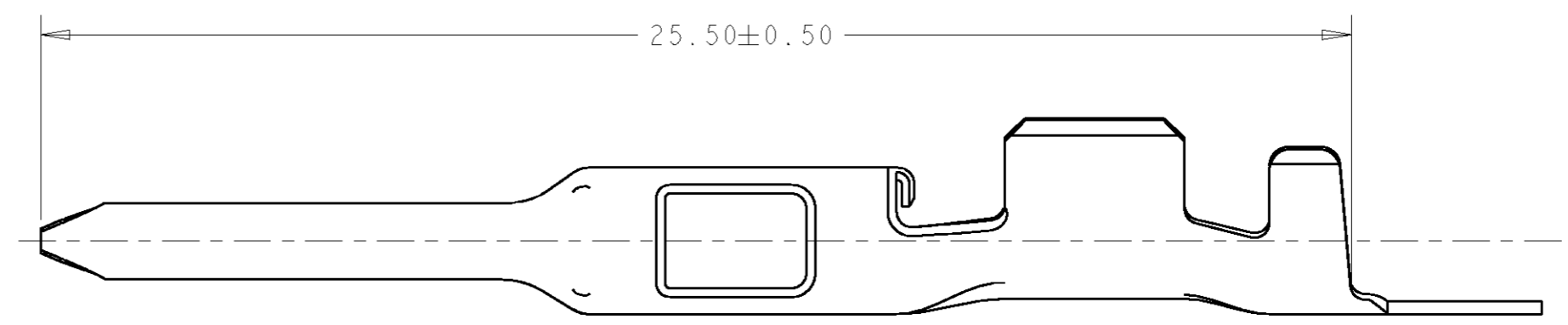
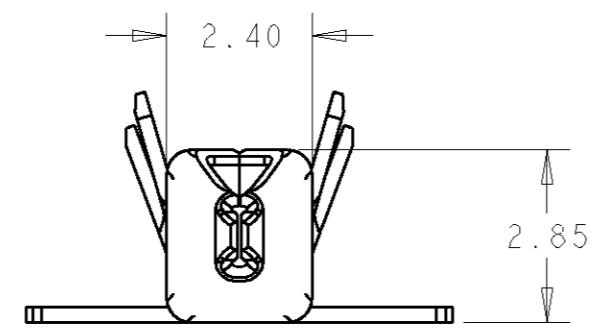
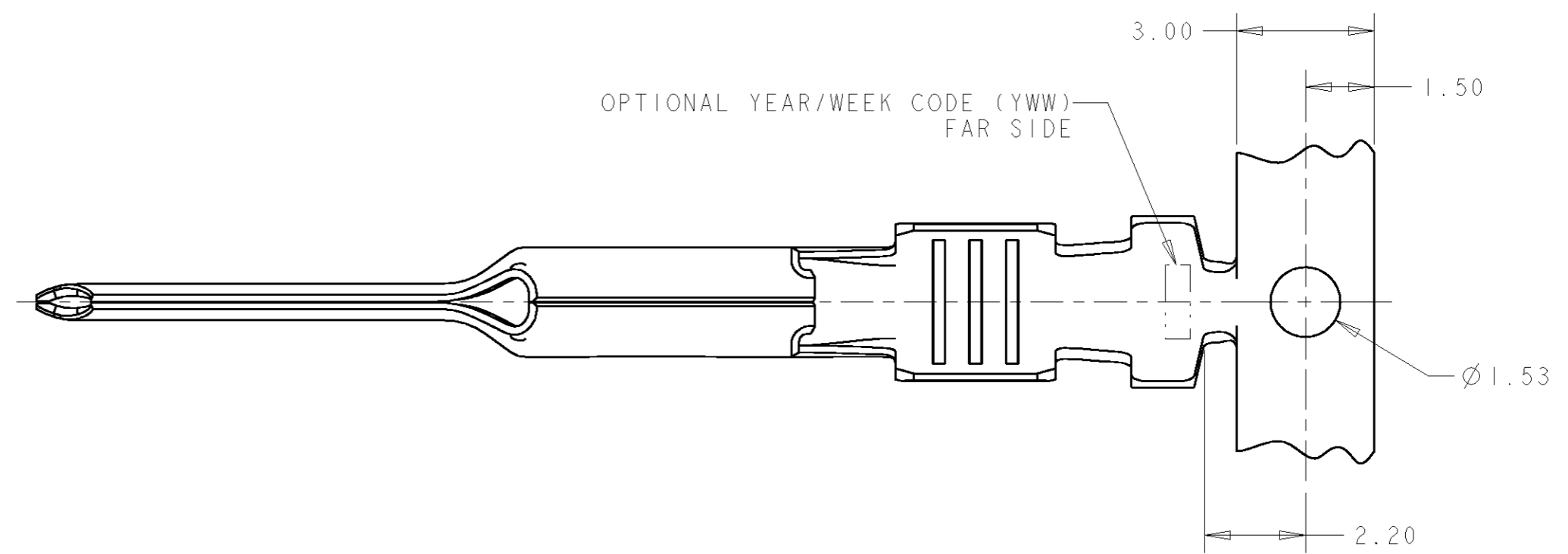
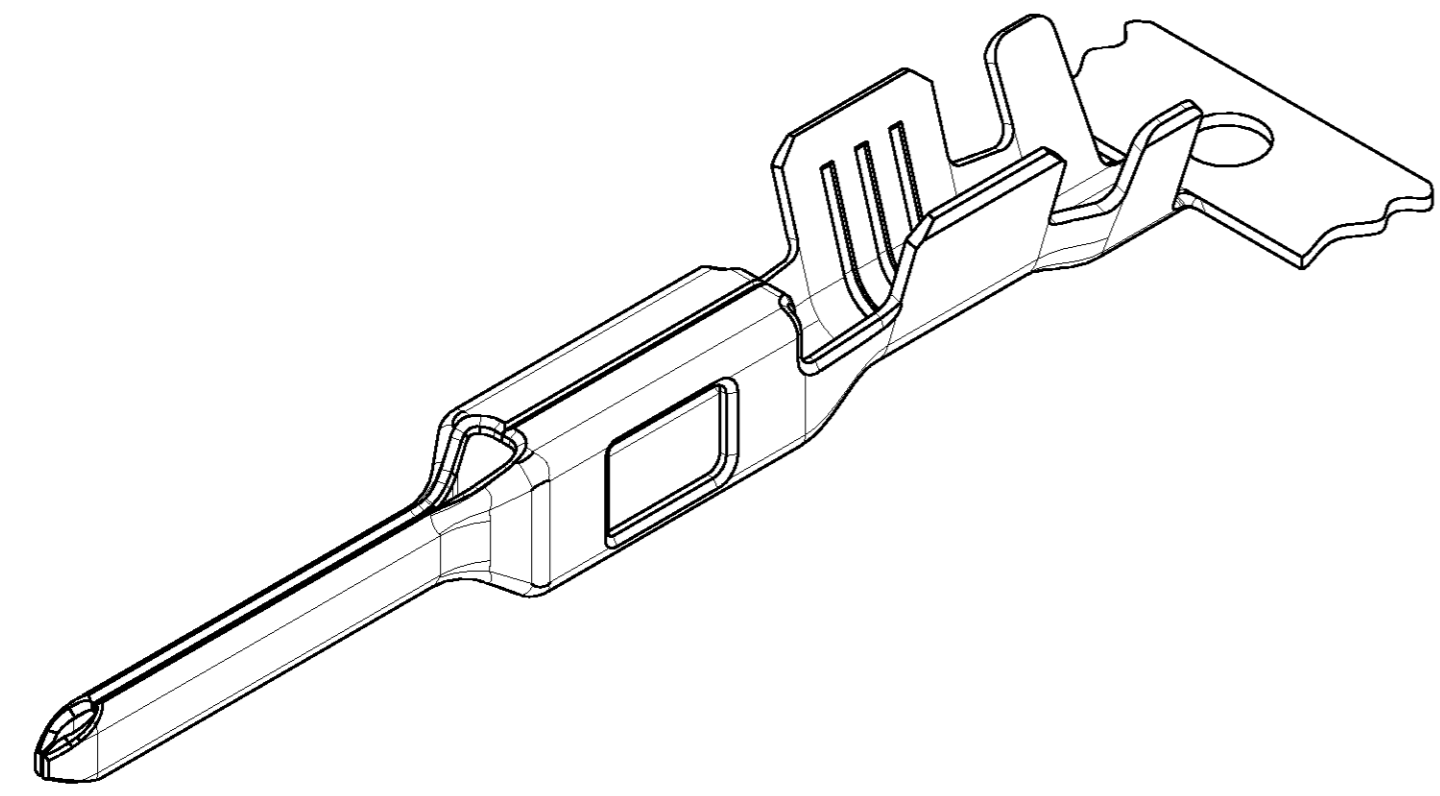


THIS DRAWING IS UNPUBLISHED. RELEASED FOR PUBLICATION 20
 © COPYRIGHT 20 BY TYCO ELECTRONICS CORPORATION. ALL RIGHTS RESERVED.

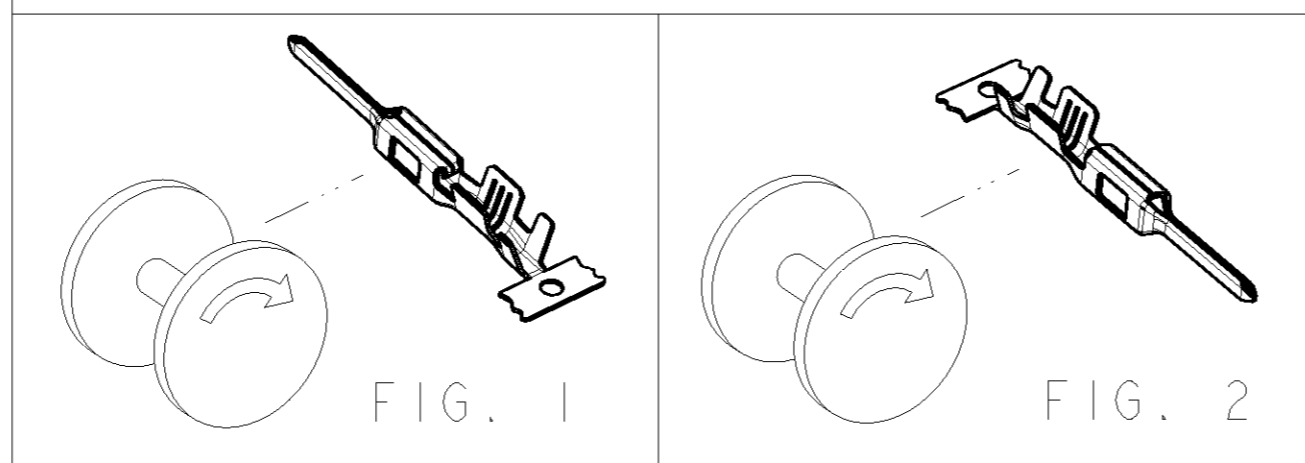
LOC	DIST	REVISIONS			
P	LTR	DESCRIPTION	DATE	DWN	APVD
		RELEASED PER EC 0K01-0014-04	13FEB2004	MFF	VMK
		REV PER EC 0K01-0057-04	16APR2004	MBH	VMK
		REV PER ECR 05-001768	14OCT2005	RGV	DHC



- 1 FINISH: PLATED 0.0004 MIN THICK TIN
- 2. PART LUBRICATED WITH HIGH TEMPERATURE ANTI-FRETTING LUBRICANT. TYCO ELECTRONICS P/N 987325-2

STATUS	REELING	FINISH	WIRE SIZE	PART NUMBER
PROPOSED	FIG. 2	1	22	1488657-6
PROPOSED	FIG. 2		18-20	1488657-5
PROPOSED	FIG. 2		14-16	1488657-4
PROPOSED	FIG. 1		22	1488657-3
RELEASED	FIG. 1		18-20	1488657-2
RELEASED	FIG. 1		14-16	1488657-1

REELING DIRECTION OFF TOP OF REEL



THIS DRAWING IS A CONTROLLED DOCUMENT FOR TYCO ELECTRONICS CORPORATION IT IS SUBJECT TO CHANGE AND THE CONTROLLING ENGINEERING ORGANIZATION SHOULD BE CONTACTED FOR THE LATEST REVISION.		DWN M. HITCHCOCK CHK V. M. KANE APVD J. GUNDELMANN	14OCT2003 14OCT2003 14OCT2003	tyco Electronics Tyco Electronics Harrisburg, PA 17105-3608
DIMENSIONS: mm	TOLERANCES UNLESS OTHERWISE SPECIFIED: 0 PLC ± 1 PLC ± 2 PLC ±0.20 3 PLC ± 4 PLC ± ANGLES ± FINISH	PRODUCT SPEC APPLICATION SPEC 114-13133	NAME NEXT GENERATION 1.50mm MALE TERMINAL	SIZE A2
MATERIAL 0.25 THICK COPPER ALLOY	WEIGHT -	CUSTOMER DRAWING	CAGE CODE 00779	DRAWING NO 1488657
SCALE 8:1			SHEET 1 OF 1	REV B