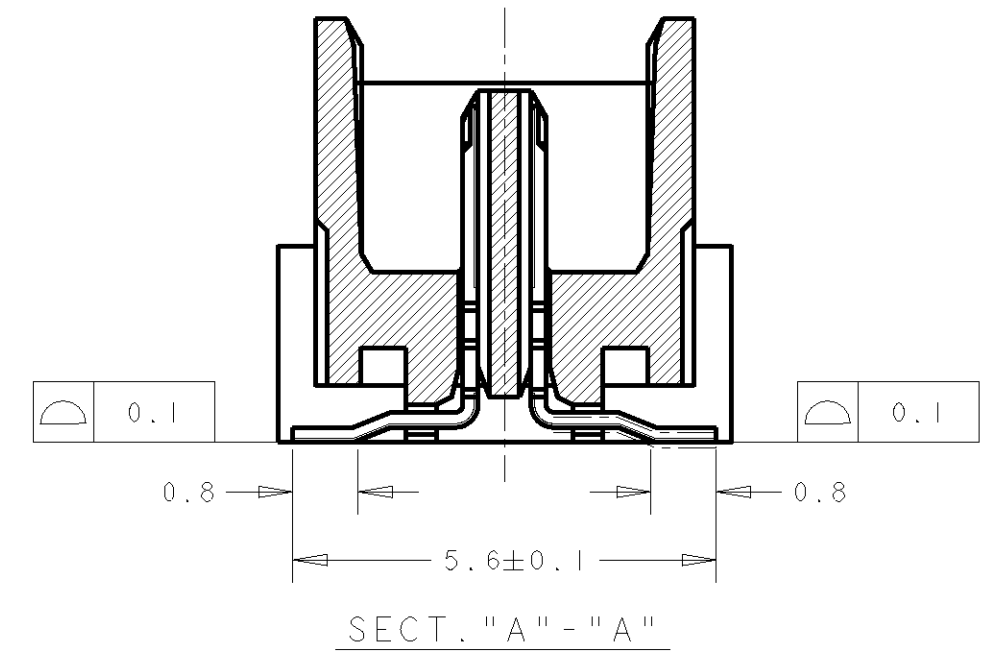
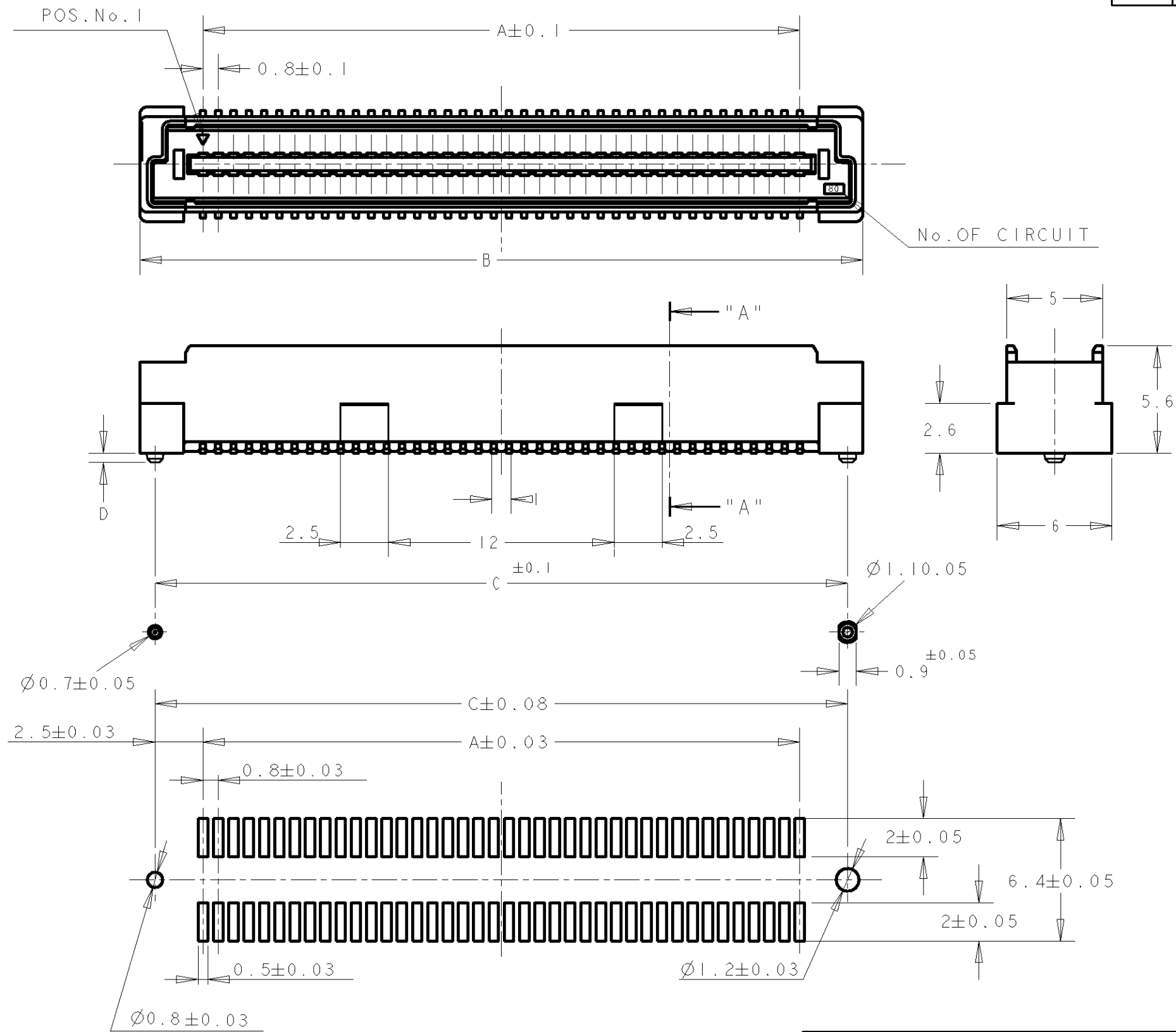


LOC	DIST	REVISIONS			
P	LTR	DESCRIPTION	DATE	DWN	APVD
DY	-	A REVISED ECR-05-010413	06SEP05	SYJ	LSF



- NOTES:
- MATERIAL; HOUSING: L.C.P. (HIGH TEMP THERMO PLASTIC) UL 94V-0, NATURAL. CONTACT: BRASS.
  - FINISH; CONTACT AREA: 0.0002 MIN GOLD ON 0.0013 MIN ALL OVER NICKEL. SOLDERING AREA: 0.001 MIN MATTE-TIN.
  - POSITION SERIES; SEE TABLE.
  - CONN STACK HEIGHT COMBINE OF PLUG "Y" H VS REC "X" H. STACK HEIGHT = Y + X - 5

P/N SEE SHEET 2 OF 2.

RECOMMENDED P.C. BOARD LAYOUT

THIS DRAWING IS A CONTROLLED DOCUMENT FOR AMP INCORPORATED. IT IS SUBJECT TO CHANGE AND THE CONTROLLING ENGINEERING ORGANIZATION SHOULD BE CONTACTED FOR THE LATEST REVISION.		DWN 30AUG04 FLORENCE TAN	Tyco Electronics (Singapore) Pte. Ltd.	
DIMENSIONS: mm		CHK ERIC TNG	NAME PLUG ASSEMBLY 6H TYPE (0.5 and 0.8 BOSS LENGTH) FOR FH 0.8mm PITCH B-T-B CONNECTOR	
TOLERANCES UNLESS OTHERWISE SPECIFIED: 0 PLC ± 1 PLC ±0.20 2 PLC ±0.25 3 PLC ±0.30 4 PLC ± ANGLES ±3°		APVD SF JFONG	DRAWING NO C-5179029	
MATERIAL		PRODUCT SPEC -	SIZE A3	CAGE CODE 00779
FINISH		APPLICATION SPEC -	SCALE 4:1	SHEET 1 OF 2
		WEIGHT -	REV A	
CUSTOMER DRAWING				

4

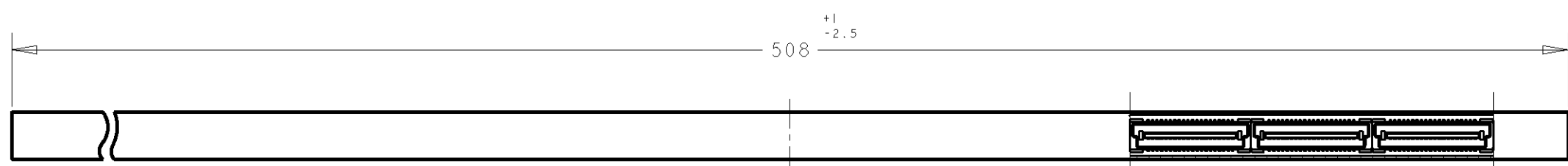
3

2

1

THIS DRAWING IS UNPUBLISHED. RELEASED FOR PUBLICATION .19 .  
 © COPYRIGHT 19 BY AMP INCORPORATED. ALL RIGHTS RESERVED.

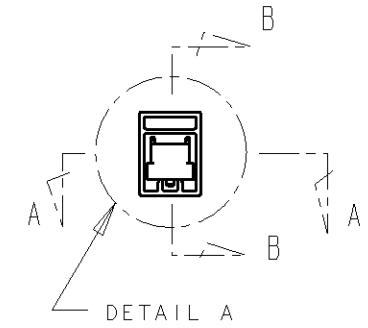
LOC	DIST	REVISIONS			
P	LTR	DESCRIPTION	DATE	DWN	APVD
DY	-	- SEE SHEET 1 OF 2	-	-	-



SECT A-A

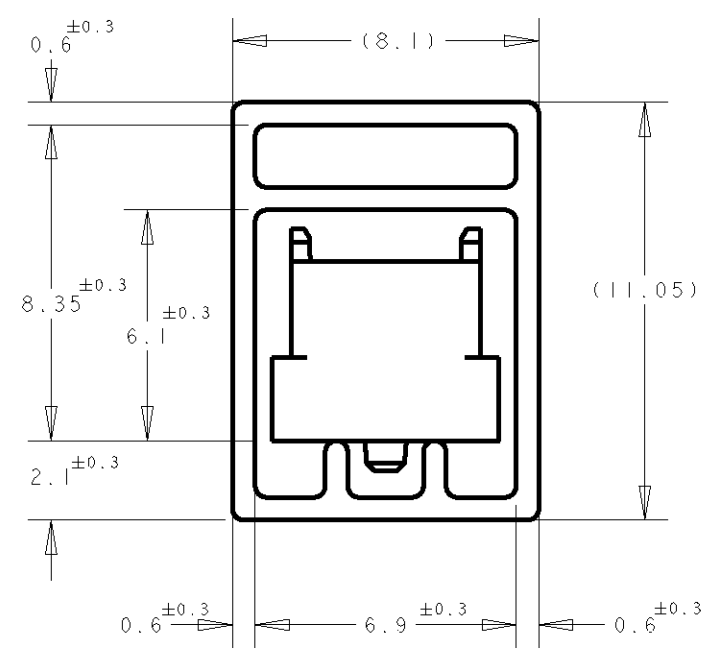


SECT B-B



REFERENCE PICTURE OF TUBE PACK

P/N 9-912056-6 PLUG ASS'Y(H=5mm,W/STEEL COVER),0.8mm BTB STACKING CONN



DETAIL "B"  
(SCALE 5-1)

12	0.8	36.2	37.8	31.2	80	3-	-3
16	0.8	28.2	29.8	23.2	60	3-	-2
22	0.8	20.2	21.8	15.2	40	3-	-1
5	0.5	84.2	85.8	79.2	200	1-	-0
6		76.2	77.8	71.2	180		-9
6		68.2	69.8	63.2	160		-8
7		60.2	61.8	55.2	140		-6
9		52.2	53.8	47.2	120		-5
10		44.2	45.8	39.2	100		-4
12		36.2	37.8	31.2	80		-3
16		28.2	29.8	23.2	60		-2
22	0.5	20.2	21.8	15.2	40		5179029-1
QTY/ TUBE	D	C	B	A	POS.	CONN P/N	

THIS DRAWING IS A CONTROLLED DOCUMENT FOR AMP INCORPORATED. IT IS SUBJECT TO CHANGE AND THE CONTROLLING ENGINEERING ORGANIZATION SHOULD BE CONTACTED FOR THE LATEST REVISION.		DWN 30AUG04 FLORENCE TAN	Tyco Electronics (Singapore) Pte. Ltd.	
DIMENSIONS: mm		CHK ERIC TNG	NAME PLUG ASSEMBLY 6H TYPE (0.5 and 0.8 BOSS LENGTH) FOR FH 0.8mm PITCH B-T-B CONNECTOR	
TOLERANCES UNLESS OTHERWISE SPECIFIED: 0 PLC ±- 1 PLC ±0.20 2 PLC ±0.25 3 PLC ±0.30 4 PLC ±- ANGLES ±3°		APVD SEI FONG	DRAWING NO 5179029	
MATERIAL		PRODUCT SPEC -	SIZE A3	CAGE CODE 00779
FINISH		APPLICATION SPEC -	SCALE -	SHEET 2 OF 2
		WEIGHT -	REV A	
CUSTOMER DRAWING				