

Microlock Receptacles

Application

- Cockpit harness
- Engine harness
- Fuse box, relay holder

Technical Features

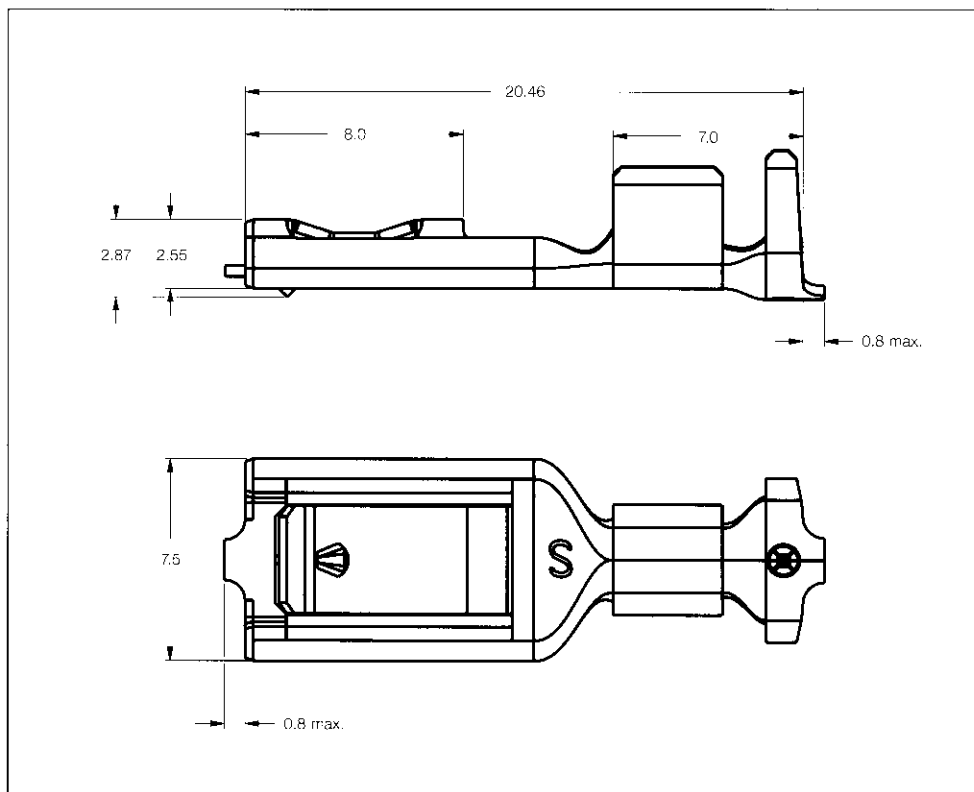
- Low insertion force

Contact Resistance:
< 1 mΩ

Current Capacity for 40 °C Rise in T° for Micro Alloy Copper Receptacle:

- 1.0 mm² = 21 A
- 2.5 mm² = 32 A
- 4.0 mm² = 50 A

Insertion Force:
< 15 N



Microlock Receptacles

| Wire Size Range | Insulation Diameter | | Material and Finish | Part Numbers | | | | | |
|-----------------------|----------------------|-----------|------------------------|--------------|----------------|-------------|----------------|------------|------------------------|
| | FLK | FLR | | Strip Form | Packaging Unit | Loose-Piece | Packaging Unit | Applicator | Hand Tool with Die Set |
| mm ² (AWG) | mm (Inch) | mm (Inch) | | | | | | | |
| 0.35-1.0 (22-17) | 1.3-2.6 (.052-.102) | - | Brass, Sn | 1544132-2 | 15,000 | - | - | - | - |
| 0.35-1.0 (22-17) | 1.3-2.6 (.052-.102) | - | Micro alloy copper, Sn | 1544132-1 | 15,000 | - | - | - | - |
| 1.0-2.5 (17-14) | 2.2-3.35 (.087-.132) | - | Brass, Sn | 1544275-2 | 12,000 | - | - | - | - |
| 1.0-2.5 (17-14) | 2.2-3.35 (.087-.132) | - | Micro alloy copper, Sn | 1544275-1 | 12,000 | - | - | - | - |
| 2.5-4.0 (14-12) | 2.7-3.6 (.107-.142) | - | Brass, Sn | 1544454-1 | 10,000 | - | - | - | - |