

NG1 Tabs

**Application**

- Sealed power connectors
- Engine harness
- Cockpit harness
- Fuse box

**Technical Features**

- High current capacity
- Compatible with single wire sealing
- Reversible in housing cavity

**Contact Resistance:**

< 1 mΩ

**Current Capacity for 40 °C Rise in T° for Micro Alloy Copper Receptacle:**

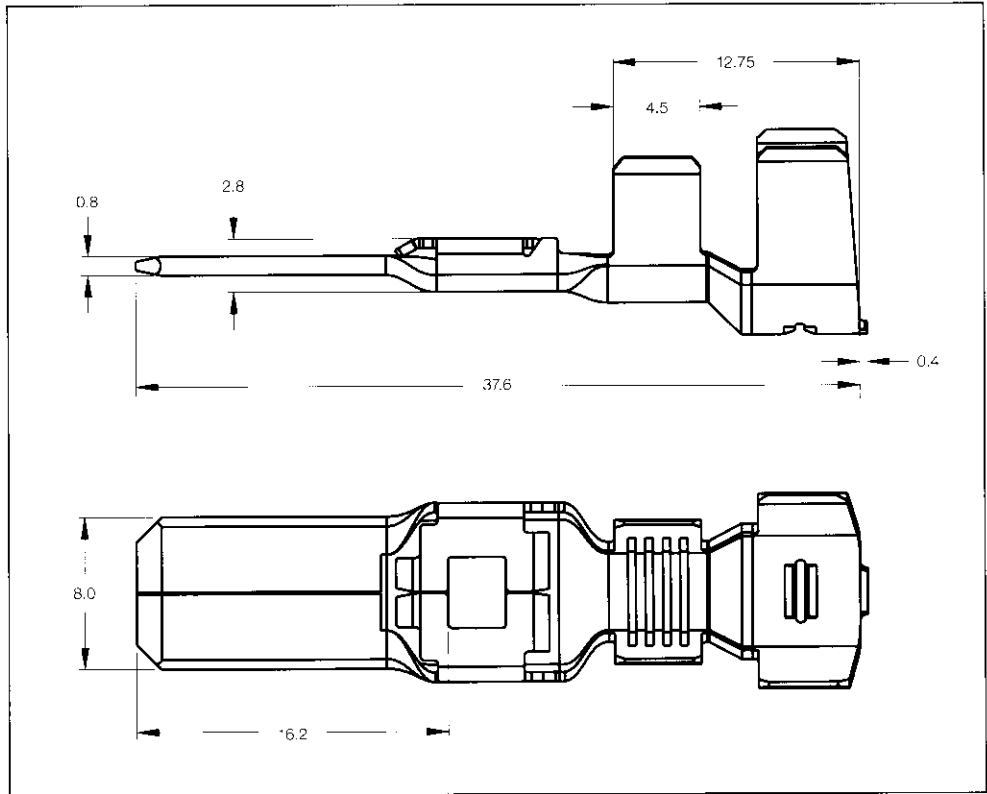
- 3.0 mm<sup>2</sup> = 32 A
- 6.0 mm<sup>2</sup> = 43 A
- 10.0 mm<sup>2</sup> = 57 A

**Insertion Force:**

< 20 N

**Withdrawal Force:**

< 15 N



**NG1 Tab Contacts**

Wire Size Range	Insulation Diameter		Material and Finish	Part Numbers					
	FLK	FLR		Strip Form	Packaging Unit	Loose-Piece	Packaging Unit	Applicator	Hand Tool with Die Set
mm <sup>2</sup> (AWG)	mm (Inch)	mm (Inch)							
3.0-6.0 (12-10)	-	3.35-4.1 (.132-.161)	Micro alloy copper, Sn	1544332-1	3,600	-	-	-	-
7.0-10.0 (9-7)	-	4.9-5.9 (.193-.232)	Micro alloy copper, Sn	1544333-1	2,700	-	-	-	-

**NG1 Seals**

Wire Size Range	Insulation Diameter		Material and Finish	Part Numbers					
	FLK	FLR		Strip Form	Packaging Unit	Loose-Piece	Packaging Unit	Applicator	Hand Tool with Die Set
mm <sup>2</sup> (AWG)	mm (Inch)	mm (Inch)							
3.0-6.0 (12-10)	-	-	Silicon, Green	1544316-1	3,000	-	-	-	-
7.0-10.0 (9-7)	-	-	Silicon, Orange	1544316-2	18,000	-	-	-	-

**NG1 Cavity Plug**

Wire Size Range	Insulation Diameter		Material and Finish	Part Numbers					
	FLK	FLR		Strip Form	Packaging Unit	Loose-Piece	Packaging Unit	Applicator	Hand Tool with Die Set
mm <sup>2</sup> (AWG)	mm (Inch)	mm (Inch)							
-	-	-	Silicon, White	1544316-3	3,000	-	-	-	-