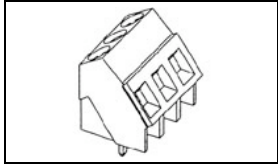


1546074-3 Product Details



1546074-3

TE Internal Number: 1546074-3



Active

Terminal Block Connectors

 Always EU RoHS/ELV Compliant (Statement of Compliance)

Product Highlights:

- Connector
- Type of Connector = Wire Receptacle
- Housing Color = Black
- Not Side Stackable
- Without Screw Flange

Documentation & Additional Information

Product Drawings:

- [TERMINAL BLOCK, PCB MOUNT ANGLED ENTRY WIRE, STACKIN...](#) (PDF, English)

Catalog Pages/Data Sheets:

- [1-1773458-1_EURO_STYLE_TERMINAL_BLOCKS_QRG](#) (PDF, English)
- [BUCHANAN TERMINAL BLOCKS CATALOG - EUROSTYLE TERMINA...](#) (PDF, English)

Product Specifications:

- None Available

Application Specifications:

- [Terminal Block Stacking Connectors](#) (PDF, English)

Instruction Sheets:

- None Available

CAD Files: (CAD Format & Compression Information)

- [2D Drawing](#) (DXF, Version 0)
- [3D Model](#) (IGES, Version 0)
- [3D Model](#) (STEP, Version 0)

Additional Information:

- [Product Line Information](#)

Related Products:

- [Tooling](#)

Product Features (Please use the Product Drawing for all design activity)

Product Type Features:

- [Product Type](#) = Connector
- [Type of Connector](#) = Wire Receptacle
- [Mount Angle](#) = Vertical
- [Screw Size](#) = M3

Electrical Characteristics:

- [Amperes \(A\)](#) = 17.5
- [Voltage \(VAC\)](#) = 300

Dimensions:

- [PCB Tail Length \(mm \[in\]\)](#) = 3.80 [0.150]

Body Features:

- [Side Stackable](#) = No
- [Wire Entry Diameter \(Solid Wire\) \(mm²\)](#) = 0.03 - 2.50
- [Wire Entry Diameter \(Stranded Wire\) \(mm²\)](#) = 0.03 - 1.50
- [Wire Entry Angle](#) = 35°
- [Closed End](#) = Without
- [Stacked Levels](#) = Without
- [Interlock](#) = With
- [Wire Range \(mm \[AWG\]\)](#) = 0.05-3.00² [30-12]
- [Screw Material](#) = Brass
- [Screw Plating](#) = Nickel

Contact Features:

- [Contact Base Material](#) = Brass
- [Contact Plating, Mating Area, Material](#) = Tin

Housing Features:

- [Housing Color](#) = Black
- [Centerline \(mm \[in\]\)](#) = 5.08 [0.200]
- [Housing Material](#) = Polyamide 6.6 GF
- [UL Flammability Rating](#) = UL 94V-0

Configuration Features:

- [Screw Flange](#) = Without
- [Number of Positions](#) = 3

Industry Standards:

- [RoHS/ELV Compliance](#) = RoHS compliant, ELV compliant
- [Lead Free Solder Processes](#) = Wave solder capable to 240°C, Wave solder capable to 260°C, Wave solder capable to 265°C
- [RoHS/ELV Compliance History](#) = Always was RoHS compliant

Other:

- [Brand](#) = Buchanan
- [Comment](#) = 15A Field Wiring

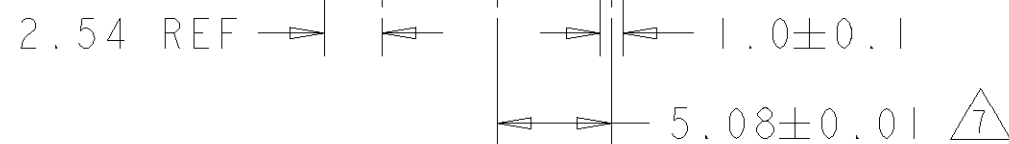
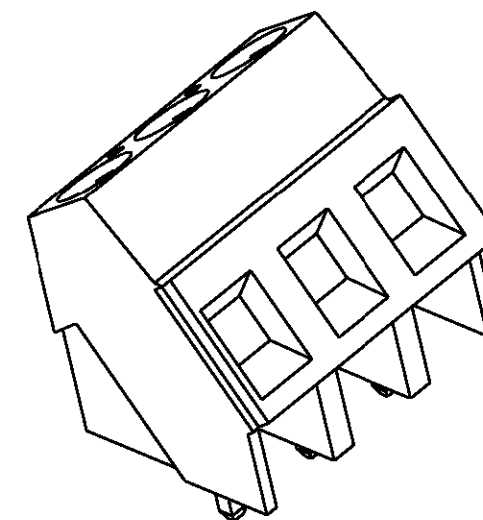
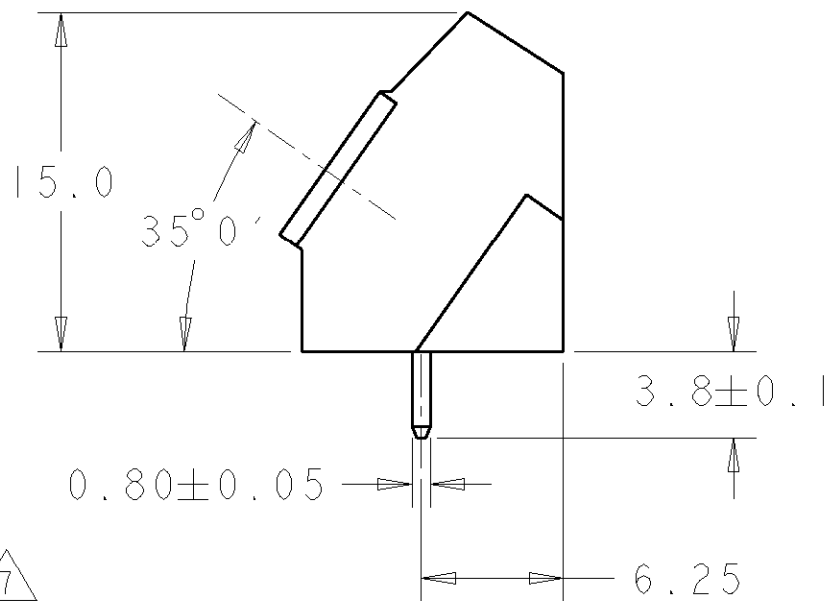
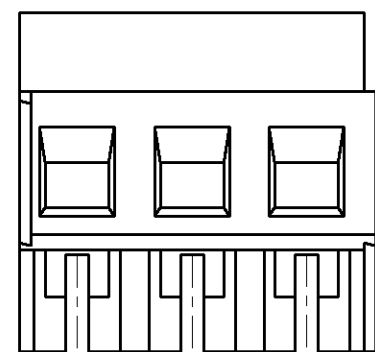
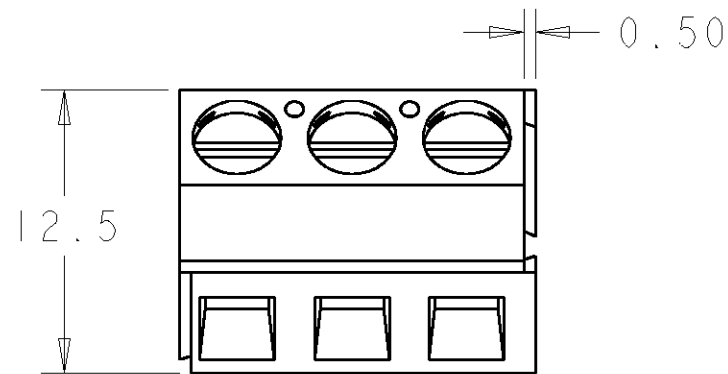
THIS DRAWING IS UNPUBLISHED. RELEASED FOR PUBLICATION

© COPYRIGHT BY ALL RIGHTS RESERVED.

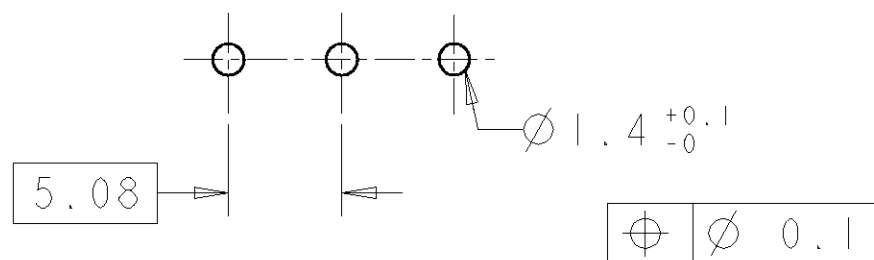
LOC	DIST	REVISIONS			
P	LTR	DESCRIPTION	DATE	DWN	APVD
FT	0	C1	REVISED PER ECO-11-005294	03MAY11	RK HMR

- 1 MATERIALS AND FINISH
HOUSING: PA 6-6, UL 94-V0, COLOR BLACK.
CLAMP: BRASS, NICKEL PLATED.
TERMINAL: BRASS, TIN PLATED.
CLAMPING SCREW: M3, BRASS, NICKEL PLATED.
- 2 SUITABLE FOR 1,6-2,4mm PCB THICKNESS.
- 3 END-TO-END STACKABLE W/INTERLOCK, WITHOUT LOSS OF CENTERLINE SPACING.
- 4 WIRE SIZE RANGE: 12-30 AWG
- 5 RECOGNIZED UNDER THE COMPONENT PROGRAM OF UNDERWRITERS LABORATORIES INC., FILE N° E60677.
- 6 IMQ CERTIFICATE WITH SURVEILLANCE IN CONFORMITY WITH IEC 998-1/998-2-1.
- 7 NOT CUMULATIVE TOLERANCE.
- 8 WHITE INK STAMPING.
- 9 BUCHANAN LOGO TO APPEAR ON HOUSING, LOCATION OPTIONAL, WHERE SPACE PERMITS.

8	121.92	24	3-1546074-4
8	121.92	24	3-1546074-3
8	121.92	24	3-1546074-2
8	50.80	10	3-1546074-0
8	40.64	8	2-1546074-8
	121.92	24	2-1546074-4
	116.84	23	2-1546074-3
	111.76	22	2-1546074-2
	106.68	21	2-1546074-1
	101.60	20	2-1546074-0
	96.52	19	1-1546074-9
	91.44	18	1-1546074-8
	86.36	17	1-1546074-7
	81.28	16	1-1546074-6
	76.20	15	1-1546074-5
	45.72	14	1-1546074-4
	66.04	13	1-1546074-3
	60.96	12	1-1546074-2
	55.88	11	1-1546074-1
	50.80	10	1-1546074-0
	45.72	9	1546074-9
	40.64	8	1546074-8
	35.56	7	1546074-7
	30.48	6	1546074-6
	25.40	5	1546074-5
	20.32	4	1546074-4
	15.24	3	1546074-3
	10.16	2	1546074-2
DIM. A	N° POS.	PART NUMBER	



RECOMMENDED PC BOARD LAYOUT



DWN E. ZANOLINI 15MAR2001		TE TE Connectivity	
CHK D. BIEVENOUR 15MAR2001			
APVD D. BIEVENOUR 15MAR2001		NAME	
PRODUCT SPEC		TERMINAL BLOCK, PCB MOUNT	
APPLICATION SPEC		ANGLED ENTRY WIRE, STACKING	
WEIGHT		W/ INTERLOCK, 5.08mm, PITCH	
MATERIAL		SIZE A3	RESTRICTED TO
FINISH		CAGE CODE 00779	DRAWING NO C-1546074
CUSTOMER DRAWING		SCALE 3:1	SHEET 1 OF 2 REV C1

THIS DRAWING IS UNPUBLISHED.

RELEASED FOR PUBLICATION

© COPYRIGHT

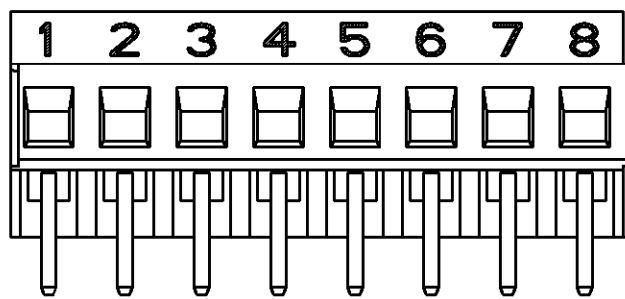
BY

ALL RIGHTS RESERVED.

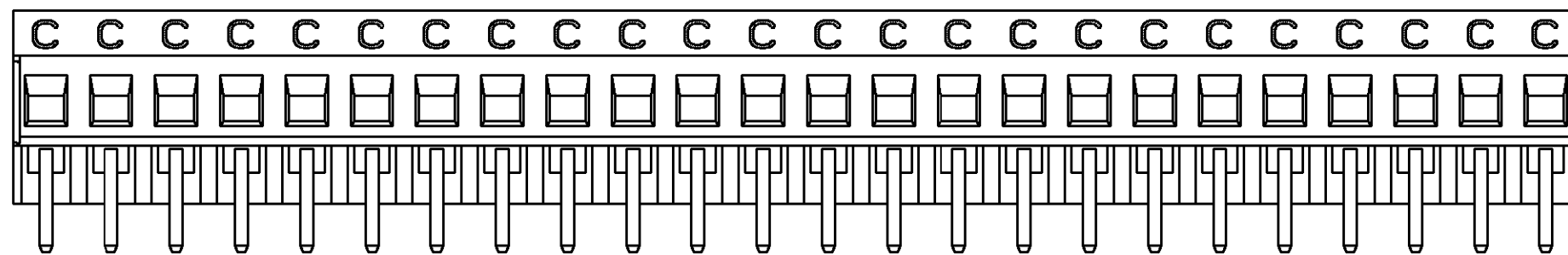
LOC	DIST
FT	0

REVISIONS

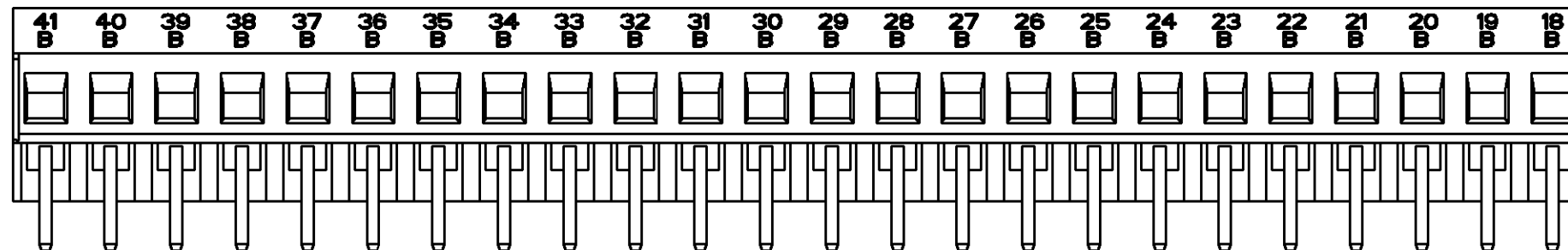
P	LTR	DESCRIPTION	DATE	DWN	APVD
-	-	SEE SHEET 1	-	-	-



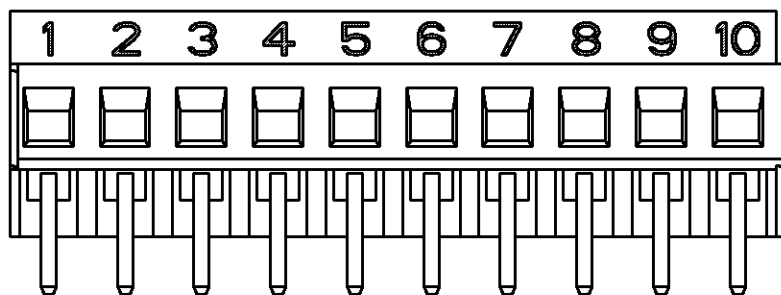
2-1546074-8 AS SHOWN



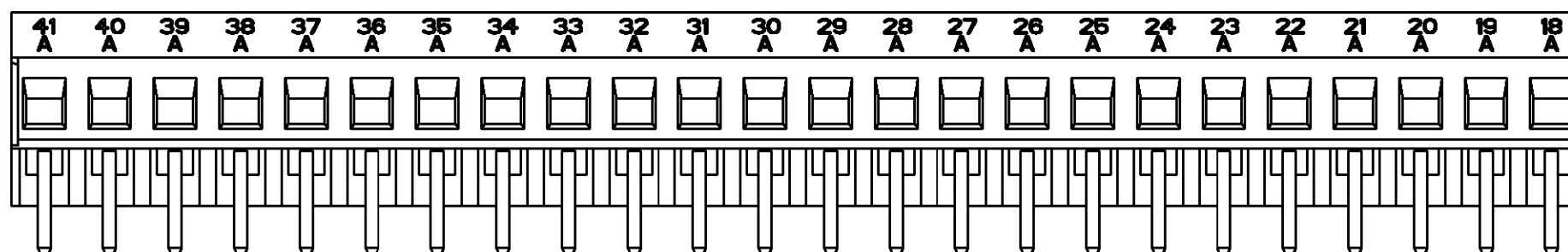
3-1546074-2 AS SHOWN



3-1546074-3 AS SHOWN



3-1546074-0 AS SHOWN



3-1546074-4 AS SHOWN

DIMENSIONS: mm 		TOLERANCES UNLESS OTHERWISE SPECIFIED: 0 PLC ± 1 PLC ± 2 PLC ± 3 PLC ± 4 PLC ± ANGLES ±		DWN 15MAR2001 E. ZANOLINI CHR 15MAR2001 D. BIEVENOUR APVD 15MAR2001 D. BIEVENOUR PRODUCT SPEC APPLICATION SPEC WEIGHT -			
MATERIAL -		FINISH -		NAME TERMINAL BLOCK, PCB MOUNT ANGLED ENTRY WIRE, STACKING W/ INTERLOCK, 5.08mm, PITCH		RESTRICTED TO -	
CUSTOMER DRAWING				SCALE 3:1		SHEET 2 OF 2	
				SIZE A3		CAGE CODE 00779	
				DRAWING NO C-1546074		REV C1	