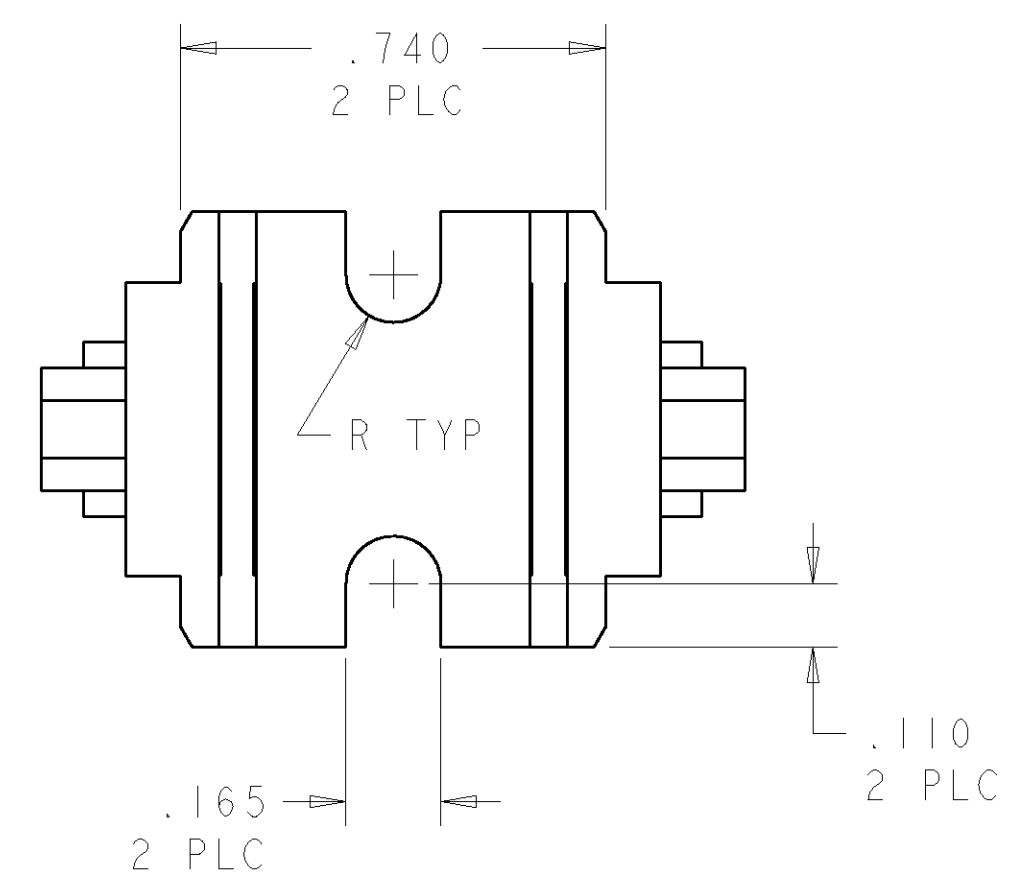
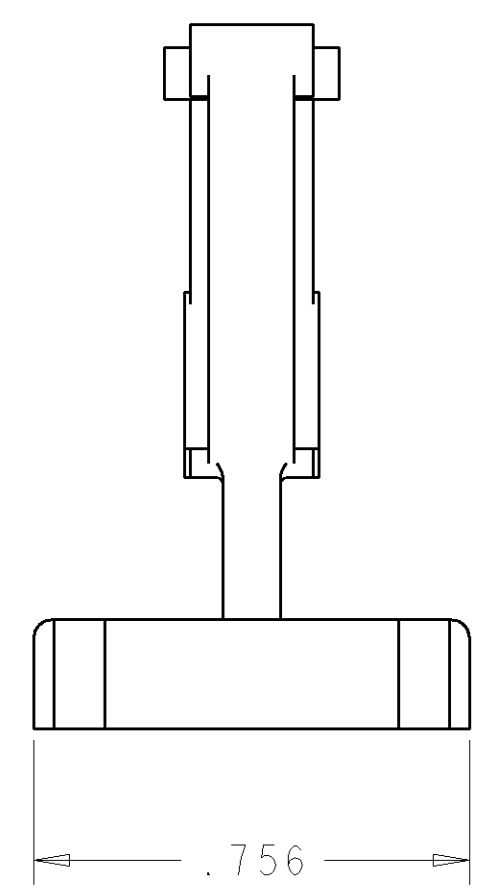
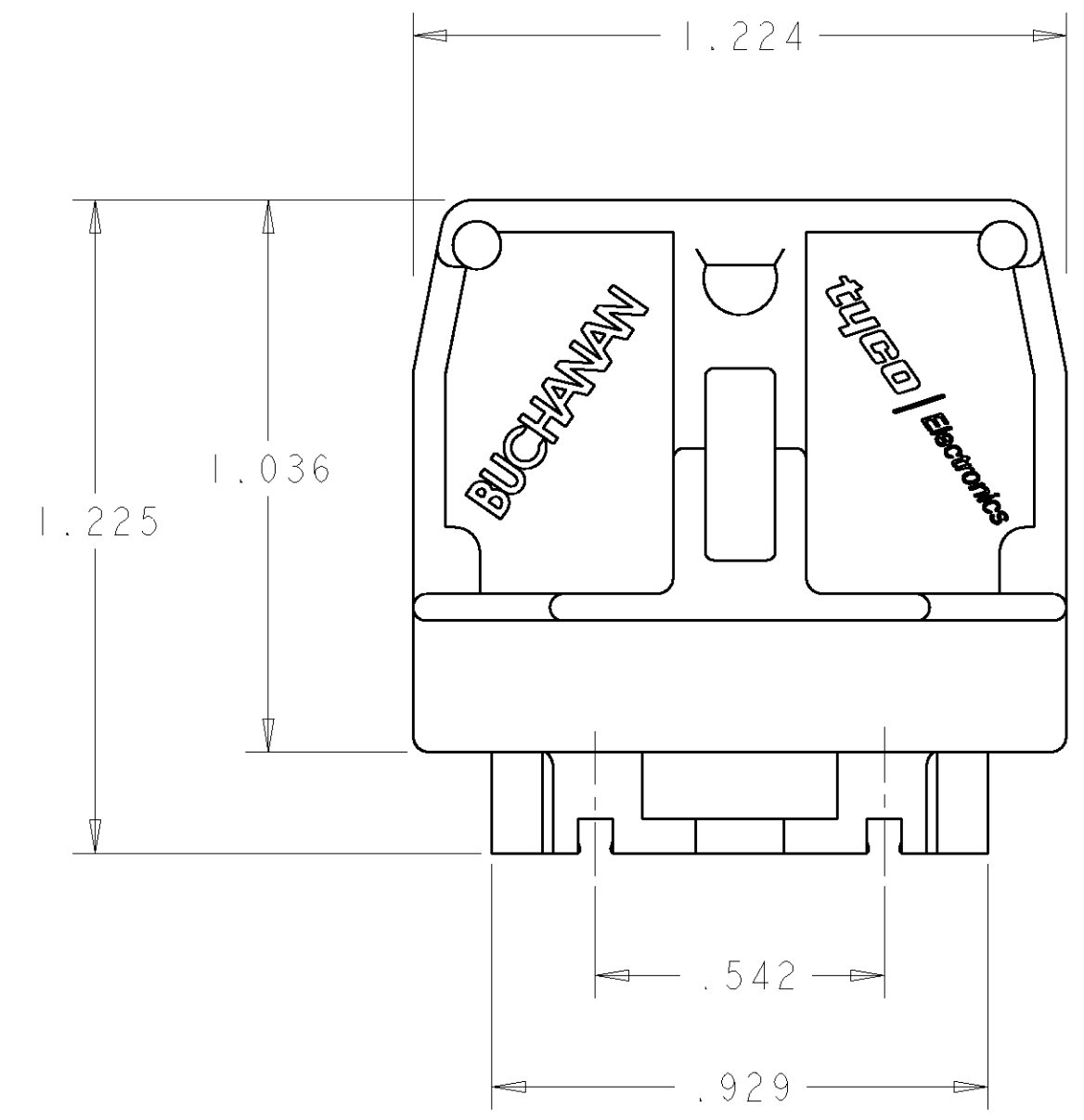


THIS DRAWING IS UNPUBLISHED. RELEASED FOR PUBLICATION 20
 © COPYRIGHT 20 BY TYCO ELECTRONICS CORPORATION. ALL RIGHTS RESERVED.

LOC	DIST	REVISIONS			
P	LTR	DESCRIPTION	DATE	DWN	APVD
FT	0				
	O	RELEASED EC 0G3B-0298-02	13JUN2002	SW	SY
	A	REVISED EC 0G3B-0420-02	26JUL2002	SW	SY
	B	REVISED EC 0G3B-0440-02	08AUG2002	SW	SY
	C	REVISED EC 0G3B-0015-03	30MAY2003	SW	SY



△ POLYESTER, UL 94V-0 RATED, COLOR: GRAY.
 △ SEE RESTRICTED CUSTOMER DRAWING 3-1437394-9.

3-1437394-9	△
1546163-1	
PART NUMBER	

THIS DRAWING IS A CONTROLLED DOCUMENT FOR TYCO ELECTRONICS CORPORATION IT IS SUBJECT TO CHANGE AND THE CONTROLLING ENGINEERING ORGANIZATION SHOULD BE CONTACTED FOR THE LATEST REVISION.		DWN S. WELDON 13JUN2002 CHK S. YODER 13JUN2002 APVD S. YODER 13JUN2002	Tyco Electronics Harrisburg, PA 17105-3608
DIMENSIONS: INCHES	TOLERANCES UNLESS OTHERWISE SPECIFIED:	PRODUCT SPEC APPLICATION SPEC	NAME TERMINAL BLOCK, END SECTION MEDIUM DUTY, FLAT BASE
0 PLC ± 1 PLC ±0 2 PLC ±0 3 PLC ±.010 4 PLC ±0 ANGLES ± FINISH	0 PLC ± 1 PLC ±0 2 PLC ±0 3 PLC ±.010 4 PLC ±0 ANGLES ± FINISH	WEIGHT -	SIZE A2 CAGE CODE 00779 DRAWING NO. 1546163 RESTRICTED TO -
MATERIAL △ -		CUSTOMER DRAWING	SCALE 3:1 SHEET 1 OF 1 REV C