

THIS DRAWING IS UNPUBLISHED. RELEASED FOR PUBLICATION
 © COPYRIGHT BY TYCO ELECTRONICS CORPORATION. ALL RIGHTS RESERVED.

LOC	DIST	REVISIONS					
FT	0	P	LTR	DESCRIPTION	DATE	DWN	APVD
		G4		REVISED PER ECO-06-28654	12/7/06	SS	SRY

-	-	-	-	-	-	-	-	-	-	-	256.7	264.2	26	2-1546306-6
-	-	-	-	-	-	-	-	-	-	-	247.2	254.7	25	2-1546306-5
-	-	-	-	-	-	-	-	-	-	-	237.7	245.2	24	2-1546306-4
-	-	-	-	-	-	-	-	-	-	-	228.2	235.7	23	2-1546306-3
-	-	-	-	-	-	-	-	-	-	-	218.7	226.2	22	2-1546306-2
-	-	-	-	-	-	-	-	-	-	-	209.2	216.7	21	2-1546306-1
△△△	SPL MARKING	-	-	-	-	-	-	-	-	-	199.7	207.2	20	3-1546306-2
-	-	-	-	-	-	-	-	-	-	-	199.7	207.2	20	2-1546306-0
-	-	-	-	-	-	-	-	-	-	-	190.2	197.7	19	1-1546306-9
-	-	-	-	-	-	-	-	-	-	-	180.7	188.2	18	1-1546306-8
-	-	-	-	-	-	-	-	-	-	-	171.2	178.7	17	1-1546306-7
-	-	-	-	-	-	-	-	-	-	-	161.7	169.2	16	1-1546306-6
-	-	-	-	-	-	-	-	-	-	-	152.2	159.7	15	1-1546306-5
-	-	-	-	-	-	-	-	-	-	-	142.7	150.2	14	1-1546306-4
-	-	-	-	-	-	-	-	-	-	-	133.2	140.7	13	1-1546306-3
△△	-	-	-	-	-	-	-	-	-	-	123.7	131.2	12	4-1546306-0
△△	-	-	-	-	-	-	-	-	-	-	123.7	131.2	12	3-1546306-3
-	-	-	-	-	-	-	-	-	-	-	123.7	131.2	12	1-1546306-2
△△	-	2	-	-	-	-	11	-	-	-	114.2	121.7	11	3-1546306-4
△	-	-	-	-	-	-	11	-	-	-	114.2	121.7	11	3-1546306-1
-	-	-	-	-	-	-	-	-	-	-	114.2	121.7	11	1-1546306-1
-	-	-	-	-	-	-	-	-	-	-	104.7	112.2	10	1-1546306-0
-	-	-	-	-	-	-	-	-	-	-	95.2	102.7	9	1546306-9
△△	-	-	-	-	-	-	-	-	-	-	85.7	93.2	8	3-1546306-9
-	-	-	-	-	-	-	-	-	-	-	85.7	93.2	8	1546306-8
△△	-	1	-	-	7	-	-	-	-	-	76.2	83.7	7	5-1546306-0
-	-	-	-	-	-	-	-	7	7	7	76.2	83.7	7	4-1546306-5
△	-	-	-	-	-	-	7	-	-	-	76.2	83.7	7	3-1546306-7
-	-	-	-	-	-	-	-	-	-	-	76.2	83.7	7	1546306-7
△△	-	-	-	1	6	-	-	-	-	-	66.7	74.2	6	4-1546306-9
△	-	-	6	-	-	-	-	-	-	-	66.7	74.2	6	4-1546306-8
-	-	-	-	-	-	-	-	6	6	6	66.7	74.2	6	4-1546306-4
△	-	-	-	-	-	-	6	-	-	-	66.7	74.2	6	3-1546306-6
-	-	-	-	-	-	-	-	-	-	-	66.7	74.2	6	1546306-6
△△	SCREW ON ONE SIDE	-	-	-	-	-	-	-	-	-	57.2	64.7	5	4-1546306-7
-	-	-	-	-	-	-	-	5	5	5	57.2	64.7	5	4-1546306-3
△	-	-	-	-	-	-	5	-	-	-	57.2	64.7	5	3-1546306-5
-	-	-	-	-	-	-	-	-	-	-	57.2	64.7	5	1546306-5
-	-	-	-	-	-	-	-	4	4	4	47.7	55.2	4	4-1546306-2
△△	-	-	-	-	-	-	-	-	-	-	47.7	55.2	4	3-1546306-8
-	-	-	-	-	-	-	-	-	-	-	47.7	55.2	4	1546306-4
-	-	-	-	-	-	-	-	-	-	-	38.2	45.7	3	5-1546306-1
-	-	-	-	-	-	-	-	-	-	-	38.2	45.7	3	1546306-3
△	-	-	-	-	2	2	2	-	-	-	28.7	36.2	2	4-1546306-6
-	-	2	2	2	-	-	-	-	-	-	28.7	36.2	2	4-1546306-1
-	-	-	-	-	-	-	-	-	-	-	28.7	36.2	2	1546306-2

NOTES: (10) JUMPER (9) QC TAB DBL SIDE 90° .250 (8) QC TAB DBL SIDE 45° .250 (7) QC TAB DBL SIDE FLAT .250 (6) QC TAB DBL SIDE 90° .187 (5) QC TAB DBL SIDE 45° .187 (4) QC TAB DBL SIDE FLAT .187 (3) QC TAB SGL SIDE 90° .250 (2) QC TAB SGL SIDE 45° .250 (1) QC TAB SGL SIDE FLAT .250

THIS DRAWING IS A CONTROLLED DOCUMENT.

DWN	S SCHLEGEL	20AUG2002
CHK	C RICHARD	8/20/02
APVD	C RICHARD	8/20/02
PRODUCT SPEC	9.50MM (.374) DBL ROW BARRIER STRIP W/O WASHER	
APPLICATION SPEC	-	
WEIGHT	-	-
CUSTOMER DRAWING	SCALE NTS	SHEET 1 OF 2

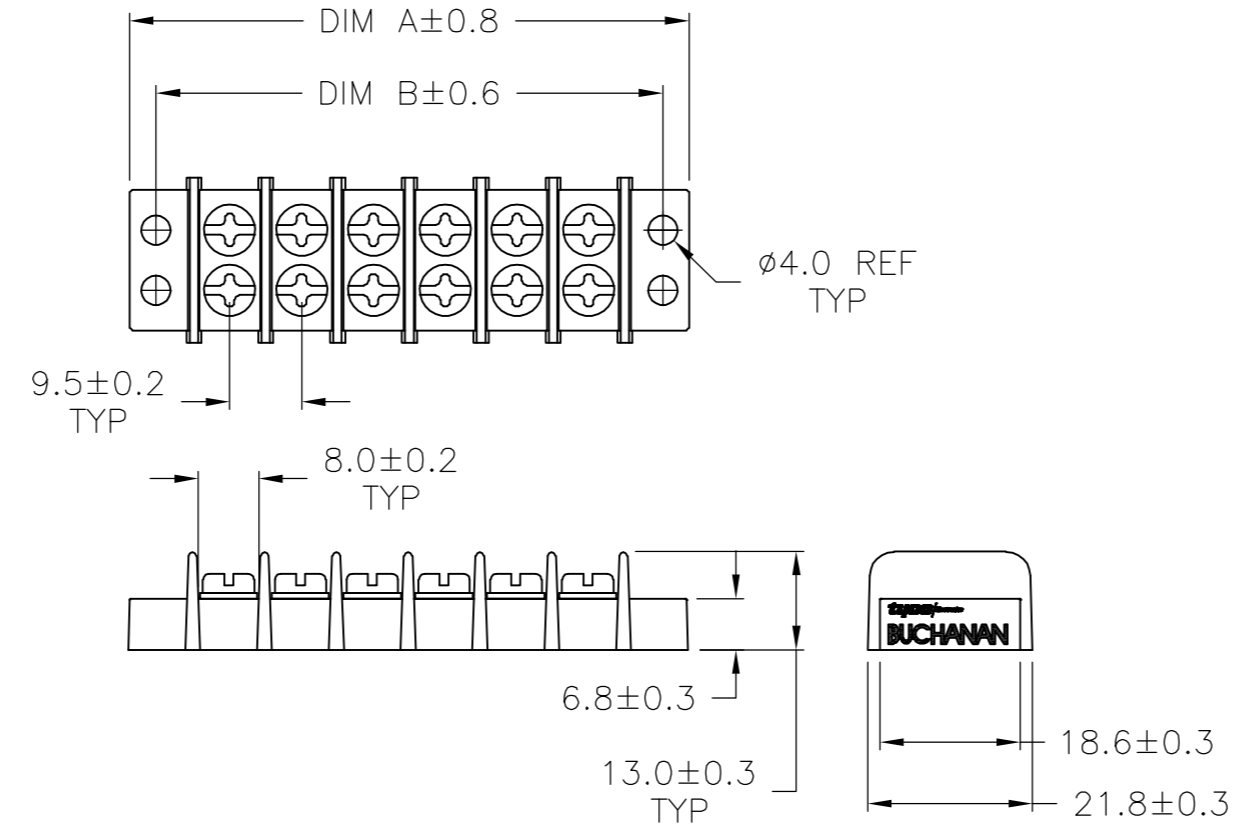
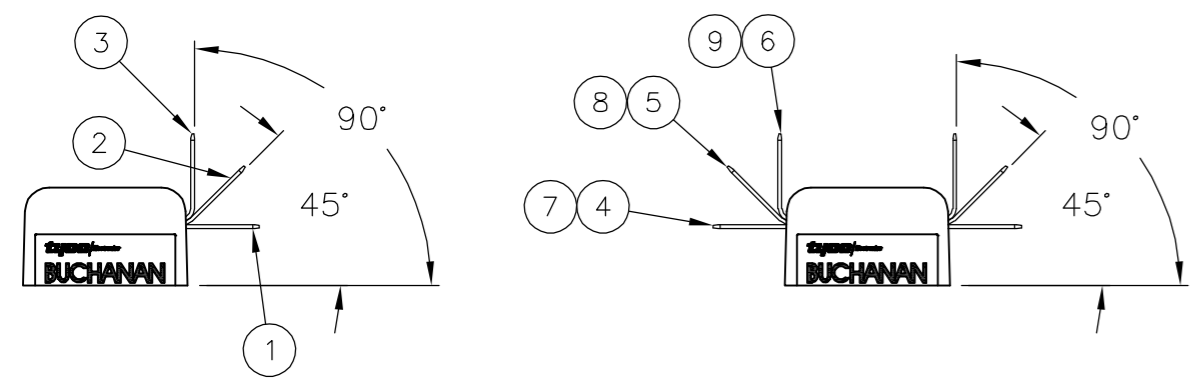
BUCHANAN Tyco Electronics Corporation Harrisburg, PA 17105

SIZE A2 CAGE CODE 00779 DRAWING NO C=1546306 RESTRICTED TO -

REV G4

THIS DRAWING IS UNPUBLISHED. RELEASED FOR PUBLICATION
 © COPYRIGHT BY TYCO ELECTRONICS CORPORATION. ALL RIGHTS RESERVED.

LOC	DIST	REVISIONS					
FT	0	P	LTR	DESCRIPTION	DATE	DWN	APVD
		-	-	SEE SHEET 1			



PHYSICAL PROPERTIES:
 HOUSING MATERIAL: THERMOPLASTIC, PC
 FLAMMABILITY: UL94V-0 COLOR: BLACK
 MAX BOW/WARP: .0056 IN/IN.

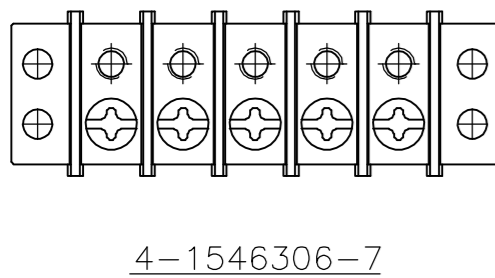
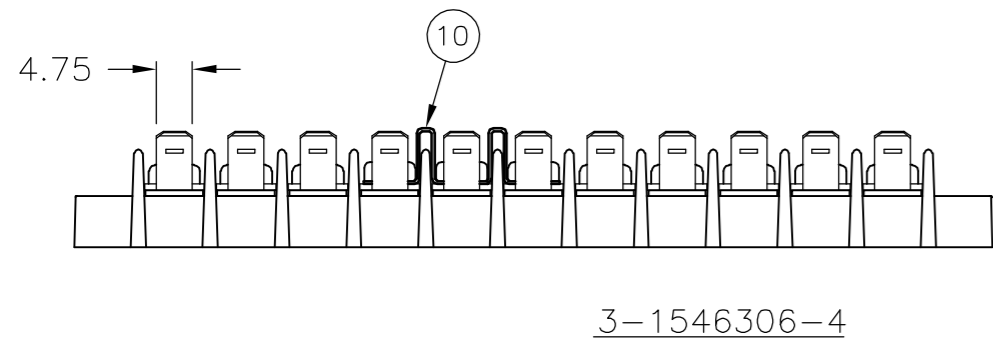
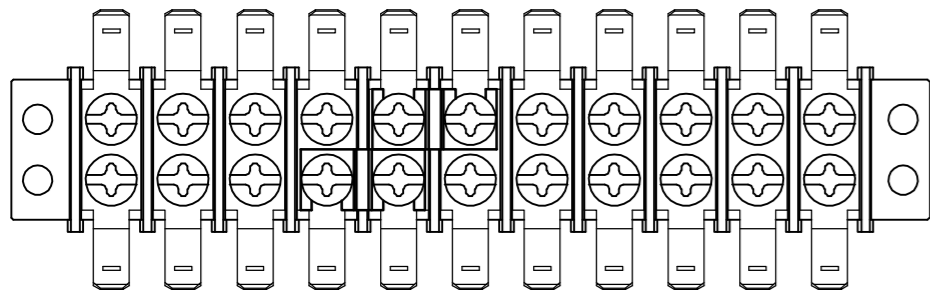
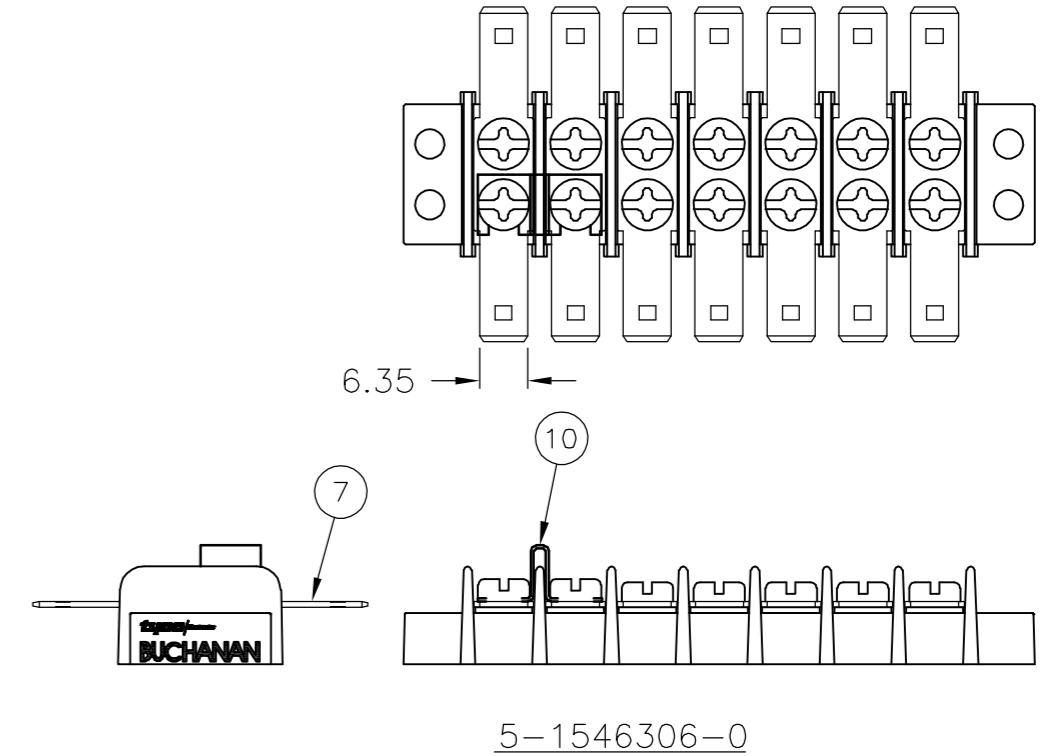
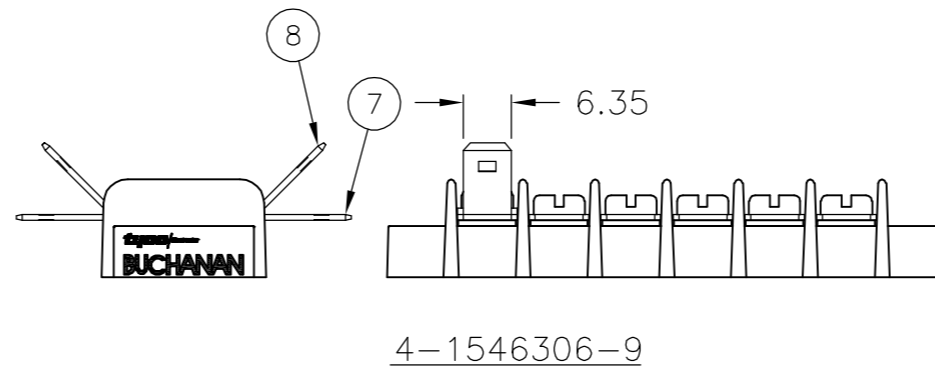
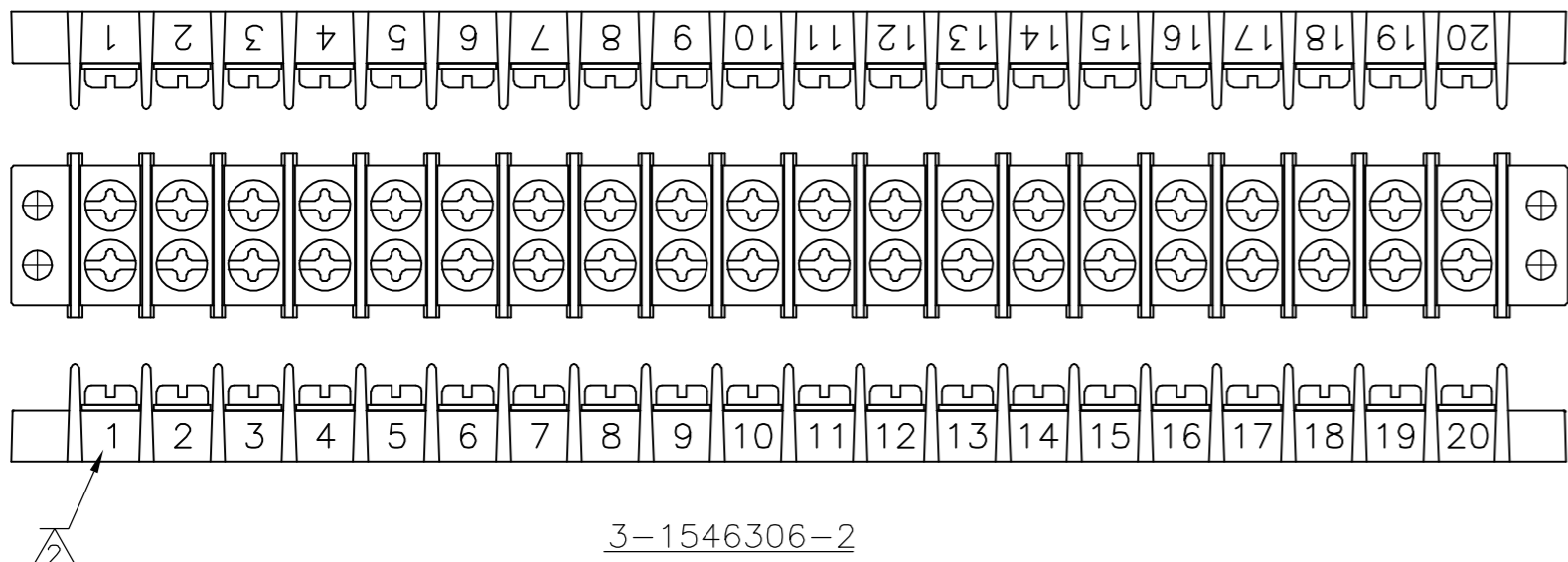
TERMINAL:
 TERMINALS: BRASS, TIN PLATED
 SCREWS: 6-32, STEEL, NICKEL PLATED

MECHANICAL:
 PITCH (TERMINAL SPACING): 9.50mm(.374")
 WIRE RANGE: 12-22 AWG
 RECOMMENDED TIGHTENING TORQUE: 12IN-LBS MAX.

ELECTRICAL PROPERTIES:
 MAXIMUM CURRENT: 20A
 OPERATING VOLTAGE: 300V

ENVIRONMENTAL PROPERTIES:
 OPERATING TEMP RANGE: -40°C TO +120°C.

- △ SEE FIGURE.
- △ MARKED WITH WHITE INK.
- △ PRELIMINARY PART NUMBER.
- △ SCREWS AND TERMINALS ARE NICKEL PLATED BRASS.
- △ STAINLESS STEEL SCREWS.
- △ SCREWS ARE NICKEL PLATED BRASS.



	-	-	-	-	-	-	-	-	-	-	-	-	-	-	-	-	-	294.7	302.2	30	3-1546306-0			
	-	-	-	-	-	-	-	-	-	-	-	-	-	-	-	-	-	285.2	292.7	29	2-1546306-9			
	-	-	-	-	-	-	-	-	-	-	-	-	-	-	-	-	-	275.7	283.2	28	2-1546306-8			
	-	-	-	-	-	-	-	-	-	-	-	-	-	-	-	-	-	266.2	273.7	27	2-1546306-7			
NOTES	(10)	JUMPER	(9)	QC TAB DBL SIDE 90° .250	(8)	QC TAB DBL SIDE 45° .250	(7)	QC TAB DBL SIDE FLAT .250	(6)	QC TAB DBL SIDE 90° .187	(5)	QC TAB DBL SIDE 45° .187	(4)	QC TAB DBL SIDE FLAT .187	(3)	QC TAB SGL SIDE 90° .250	(2)	QC TAB SGL SIDE 45° .250	(1)	QC TAB SGL SIDE FLAT .250	DIM B	DIM A	NO. OF POS.	BUCHANAN PART NO.

THIS DRAWING IS A CONTROLLED DOCUMENT.		DWN	20AUG2002	Tyco Electronics Corporation Harrisburg, PA 17105			
DIMENSIONS: MM		CHK	8/20/02				
TOLERANCES UNLESS OTHERWISE SPECIFIED:		APVD	8/20/02				
0 PLC ± - 1 PLC ± 0.3 2 PLC ± 0.25 3 PLC ± - 4 PLC ± - ANGLES ± 2° FINISH		NAME 9.50MM (.374) DBL ROW BARRIER STRIP W/O WASHER					
MATERIAL		WEIGHT		SIZE	CAGE CODE	DRAWING NO	RESTRICTED TO
		CUSTOMER DRAWING		A2	00779	C=1546306	
SCALE				NTS	SHEET	2 of 2	REV
							G4