

4

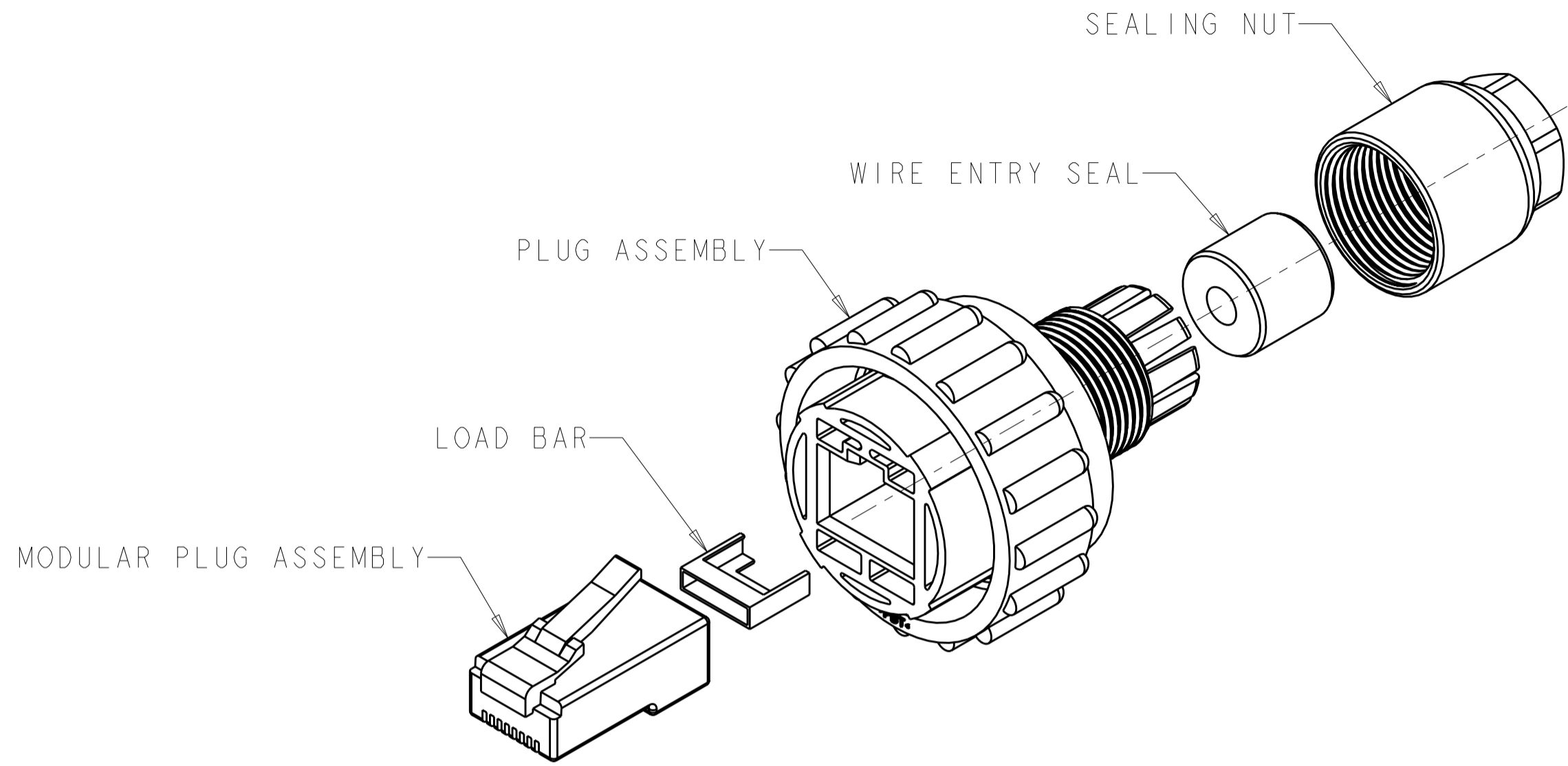
3

2

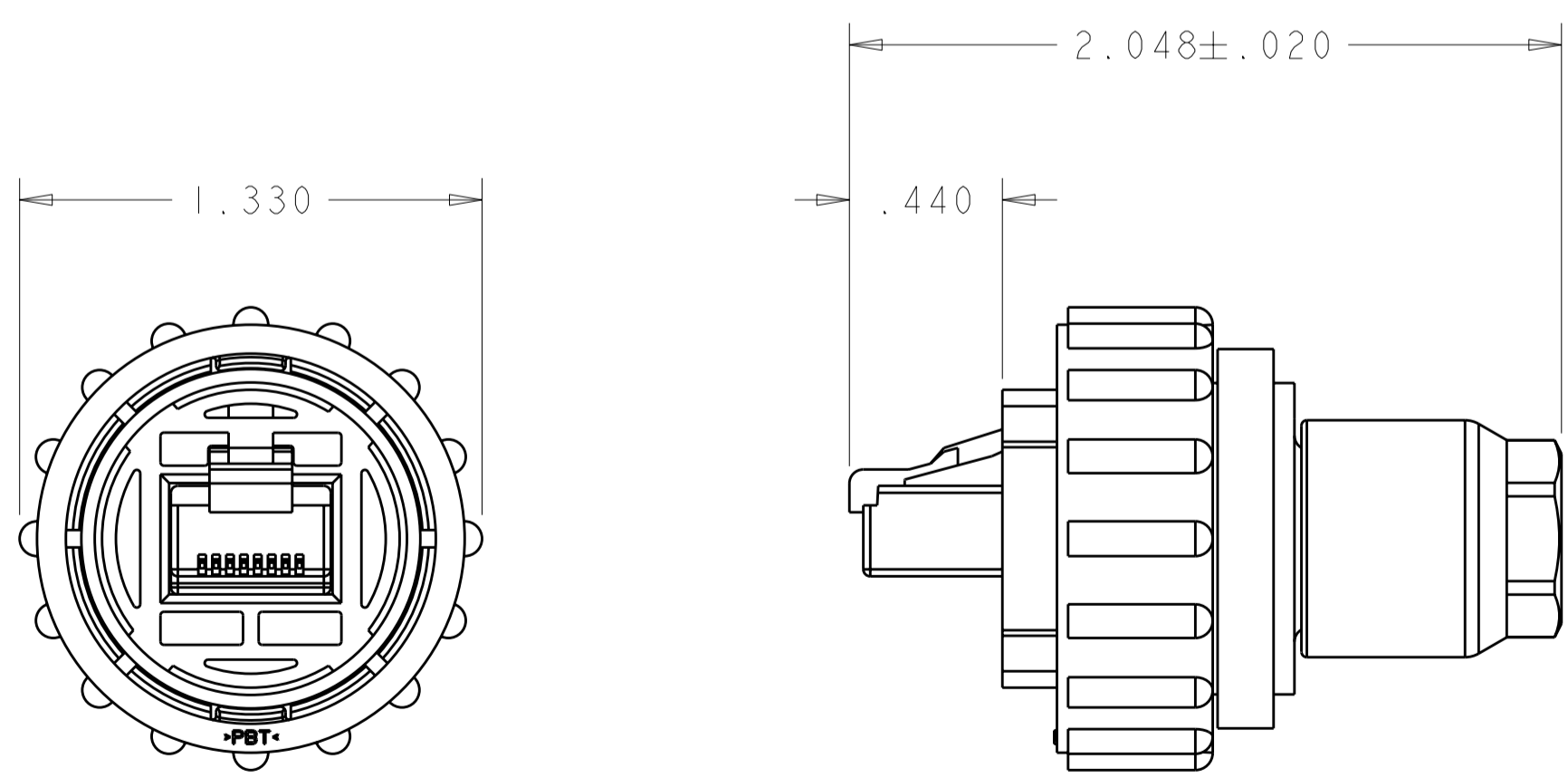
1

THIS DRAWING IS UNPUBLISHED. RELEASED FOR PUBLICATION 20
 © COPYRIGHT 20 BY TYCO ELECTRONICS CORPORATION. ALL RIGHTS RESERVED.

LOC	DIST	REVISIONS			
P	LTR	DESCRIPTION	DATE	DWN	APVD
FT	0				
	A	REVISED EC 0G3B-0222-04	08MAR2004	SW	HW
	B	REVISED ECO-07-009503	25APR2007	SW	MS



- PARTS PACKAGED UNASSEMBLED.
- CABLE DIAMETER RANGE: .180[4.6]-.236[6.0].



ASSEMBLED VIEW

STRANDED	1546876-2
SOLID	1546876-1
WIRE TYPE	PART NUMBER

THIS DRAWING IS A CONTROLLED DOCUMENT FOR TYCO ELECTRONICS CORPORATION. IT IS SUBJECT TO CHANGE AND THE CONTROLLING ENGINEERING ORGANIZATION SHOULD BE CONTACTED FOR THE LATEST REVISION.		DWN S. WELDON 08MAR2004	Tyco Electronics Harrisburg, PA 17105-3608	
DIMENSIONS: INCHES		CHK H. WAKEEM 08MAR2004	NAME PLUG KIT, UNASSEMBLED, UNSHIELDED, CPC INDUSTRIAL ETHERNET	
TOLERANCES UNLESS OTHERWISE SPECIFIED: 0 PLC ± 1 PLC ±0.1 2 PLC ±0.02 3 PLC ±0.005 4 PLC ±0.0005 ANGLES ± FINISH		APVD H. WAKEEM 08MAR2004		
MATERIAL		PRODUCT SPEC	SIZE A2	CAGE CODE 00779
		APPLICATION SPEC	DRAWING NO 1546876	RESTRICTED TO
		WEIGHT	SCALE 2:1	SHEET 1
		CUSTOMER DRAWING	REV B	