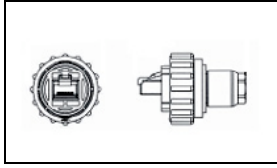


1546876-2 Product Details



1546876-2

TE Internal Number: 1546876-2



Active

CPC Series 45 Ethernet

 Always EU RoHS/ELV Compliant (Statement of Compliance)

Product Highlights:

- Connector Style = Plug
- Not Shielded
- Wire Type = Stranded
- RoHS compliant, ELV compliant
- Lead Free Solder Processes = Not relevant for lead free process

Documentation & Additional Information

Product Drawings:

- [PLUG KIT, UNASSEMBLED, UNSHIELDED, CPC INDUSTRIAL ET...](#) (PDF, English)

Catalog Pages/Data Sheets:

- [INDUSTRIAL_ETHERNET_PRODUCTS](#) (PDF, English)
- [Circular Plastic Connectors Series 45 Ethernet](#) (PDF, English)

Product Specifications:

- None Available

Application Specifications:

- [Circular Plastic Connector \(CPC\) Series 45 System](#) (PDF, English)

Instruction Sheets:

- [Circular Plastic Connector \(CPC\) Series 45 Plug Kits...](#) (PDF, English)

CAD Files: (CAD Format & Compression Information)

- [2D Drawing](#) (DXF, Version D)
- [3D Model](#) (IGES, Version D)
- [3D Model](#) (STEP, Version D)

Additional Information:

- [Product Line Information](#)

Related Products:

- [Tooling](#)

Product Features (Please use the Product Drawing for all design activity)

Electrical Characteristics:

- Shielded = No

Body Features:

- Wire Type = Stranded

Housing Features:

- Connector Style = Plug
- UL Flammability Rating = UL 94V-0

Industry Standards:

- [RoHS/ELV Compliance](#) = RoHS compliant, ELV compliant
- [Lead Free Solder Processes](#) = Not relevant for lead free process
- RoHS/ELV Compliance History = Always was RoHS compliant

Environmental:

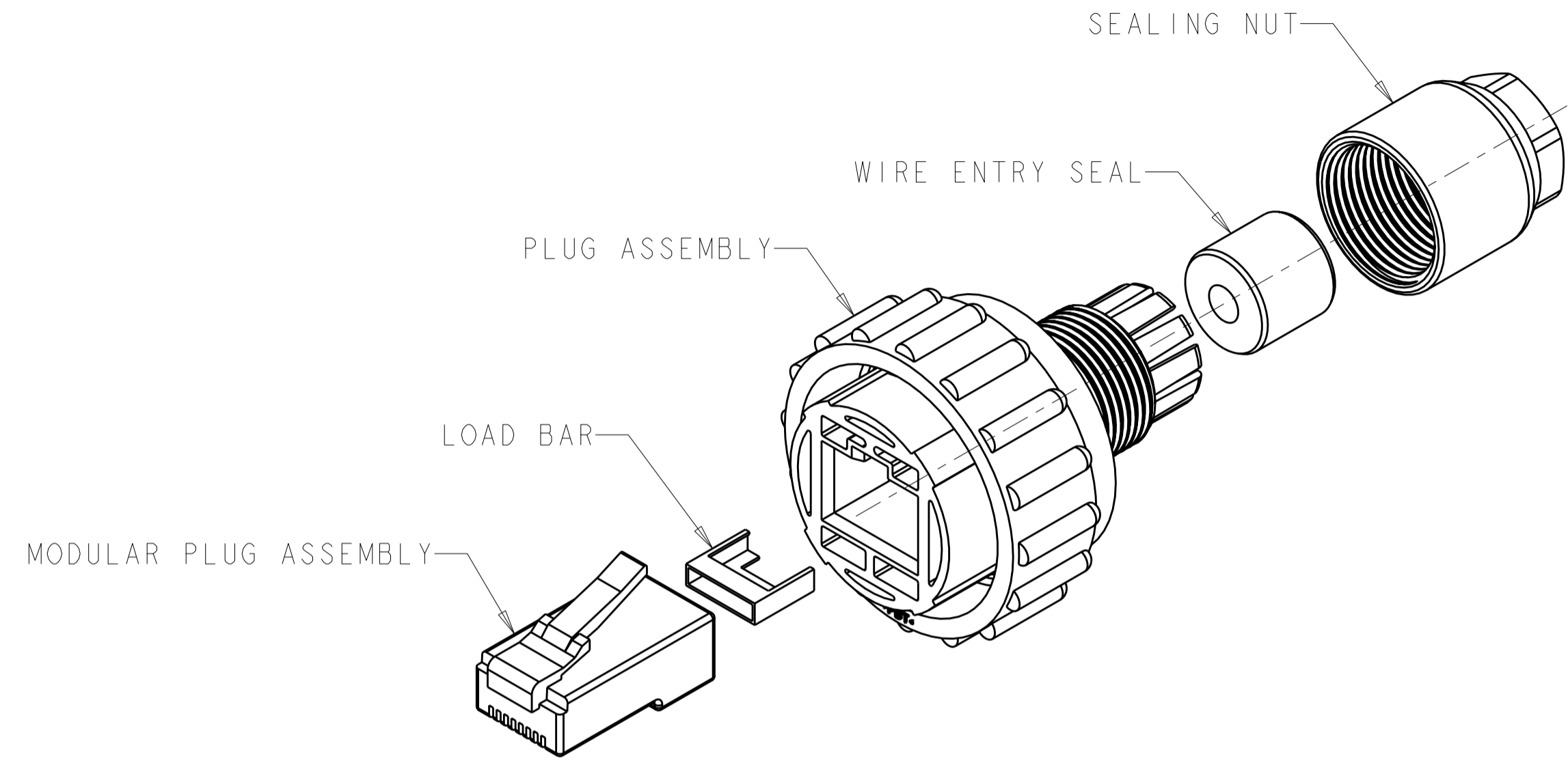
- Operating Temperature (°C) = -55 - +105

Other:

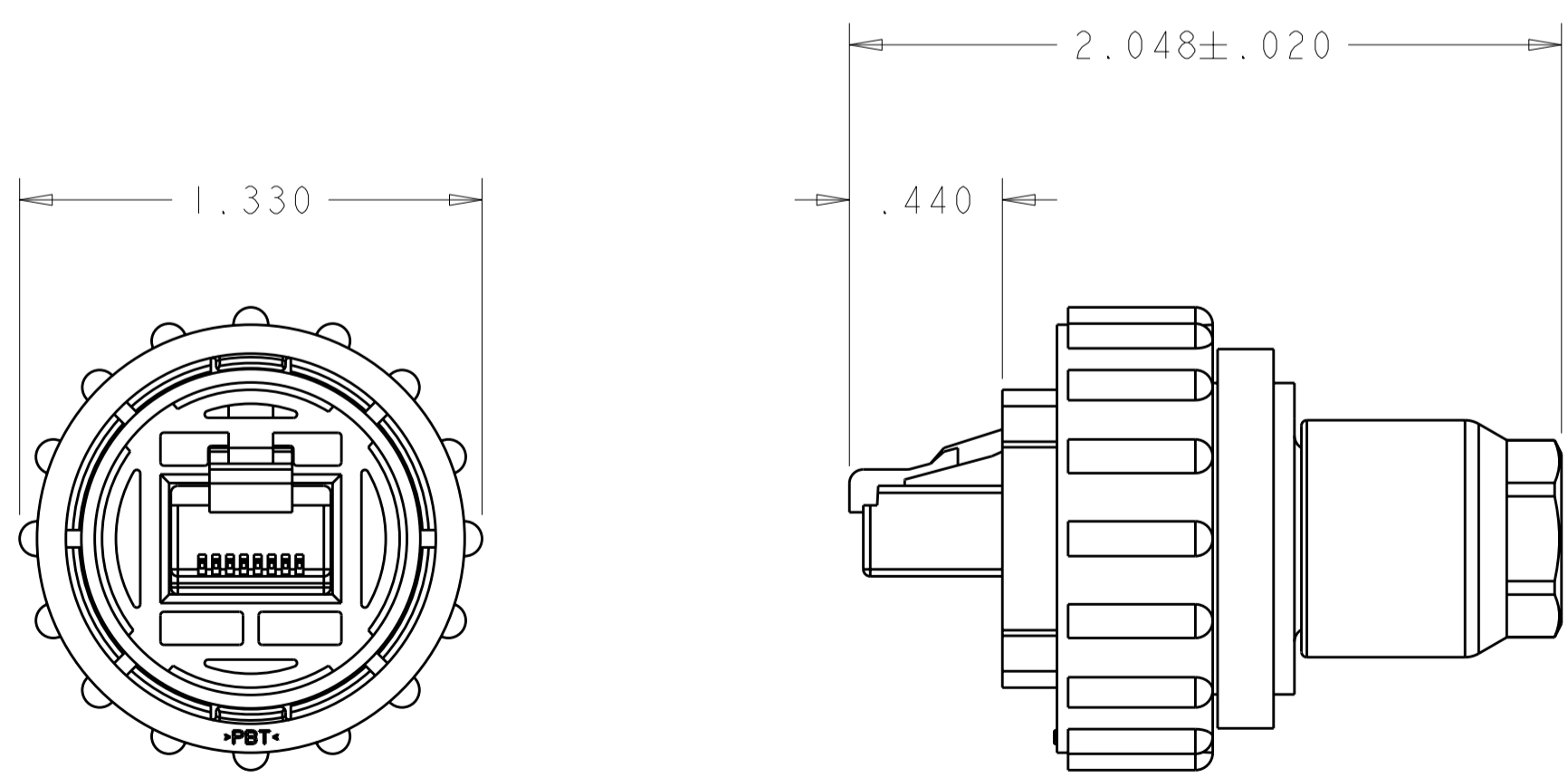
- Brand = TE Connectivity

THIS DRAWING IS UNPUBLISHED. RELEASED FOR PUBLICATION 20
 © COPYRIGHT 20 BY TYCO ELECTRONICS CORPORATION. ALL RIGHTS RESERVED.

LOC		DIST		REVISIONS			
P	LTR	DESCRIPTION	DATE	DWN	APVD		
	A	REVISED EC 0G3B-0222-04	08MAR2004	SW	HW		
	B	REVISED ECO-07-009503	25APR2007	SW	MS		



- PARTS PACKAGED UNASSEMBLED.
- CABLE DIAMETER RANGE: .180[4.6]-.236[6.0].



ASSEMBLED VIEW

STRANDED	1546876-2
SOLID	1546876-1
WIRE TYPE	PART NUMBER

THIS DRAWING IS A CONTROLLED DOCUMENT FOR TYCO ELECTRONICS CORPORATION. IT IS SUBJECT TO CHANGE AND THE CONTROLLING ENGINEERING ORGANIZATION SHOULD BE CONTACTED FOR THE LATEST REVISION.		DWN S. WELDON 08MAR2004	Tyco Electronics Harrisburg, PA 17105-3608	
DIMENSIONS: INCHES		CHK H. WAKEEM 08MAR2004	NAME PLUG KIT, UNASSEMBLED, UNSHIELDED, CPC INDUSTRIAL ETHERNET	
TOLERANCES UNLESS OTHERWISE SPECIFIED: 0 PLC ± 1 PLC ±0.1 2 PLC ±0.02 3 PLC ±0.005 4 PLC ±0.0005 ANGLES ± FINISH		APVD H. WAKEEM 08MAR2004		
MATERIAL		PRODUCT SPEC -	SIZE A2	CAGE CODE 00779
		APPLICATION SPEC -	DRAWING NO 1546876	RESTRICTED TO -
		WEIGHT -	SCALE 2:1	SHEET 1
		CUSTOMER DRAWING		REV B