

1-5499786-0 Product Details

[Share](#) [Print](#) [Email](#)



1-5499786-0


TE Internal Number: 1-5499786-0



Active

[View 3D PDF](#)

AMP-LATCH Pin and Pinless Headers

-  Always EU RoHS/ELV Compliant
(Statement of Compliance)

Product Highlights:

- Header
- Header Type = Universal Ejection Pin Headers
- AMP-LATCH Product Line
- Standard Profile
- 50 Positions

[View all Features](#)

Quick Links

- ▶ [Pricing & Availability](#)
- ▶ [Search for Tooling](#)
- ▶ [View Mating Products \(5\)](#)
- ▶ [Product Feature Selector](#)
- ▶ [Contact Us About This Product](#)

[Add to My Part List](#)

[Request Sample](#)

[Find Similar Products](#)

[Buy Product](#)

Documentation & Additional Information

Product Drawings:

- [HEADER ASSY, UNIVERSAL, AMP-LATCH](#) (PDF, English)

Catalog Pages/Data Sheets:

- [7-1773458-6_AMPLATCH_QRG](#) (PDF, English)
- [Ribbon Cable Interconnect Solutions](#) (PDF, English)

Product Specifications:

- [AMP-LATCH and IDC Header Connectors, .100 x .100 Inc...](#) (PDF, English)

Application Specifications:

- None Available

Instruction Sheets:

- None Available

CAD Files: (CAD Format & Compression Information)

- [2D Drawing](#) (DXF, Version B)
- [3D Model](#) (IGES, Version B)
- [3D Model](#) (STEP, Version B)

[List all Documents](#)

Additional Information:

- [Product Line Information](#)

Related Products:

- [Tooling](#)
- [Mating Products \(5\)](#)

Product Features (Please use the Product Drawing for all design activity)

Product Type Features:

- Connector Type = Header
- Product Line = AMP-LATCH
- Profile = Standard
- [PCB Mounting Orientation](#) = Right Angle
- [PCB Mount Retention](#) = Without
- [Mating Connector Lock](#) = With
- [Ejection Latches](#) = With
- Post Size (mm [in]) = 0.64 [.025]
- Latch Type = Long
- Mating Connector Lock Type = Latch

Termination Features:

- [Termination Post Length \(mm \[in\]\)](#) = 2.79 [0.110]

Housing Features:

- [Centerline, Matrix \(mm \[in\]\)](#) = 2.54 x 2.54 [.100 x .100]
- [Mating Alignment Type](#) = Center, Dual Polarizing Bar, Military
- [Housing Style](#) = 4-Sided
- Mating Alignment = With
- Housing Material = Nylon or Polyester
- UL Flammability Rating = UL 94V-0
- Housing Color = Black

Configuration Features:

- [Number of Positions](#) = 50
- Shrouded = Yes

Industry Standards:

Dimensions:

- PCB Thickness, Recommended (mm [in]) = 1.57 [0.062]

Body Features:

- [Header Type](#) = Universal Ejection Pin Headers

Contact Features:

- [Contact Plating](#), [Mating Area](#), [Material](#) = Gold Flash over Palladium Nickel or Gold (15) over Nickel
- Contact Shape = Square
- Solder Tail Contact Plating = Tin

- [RoHS/ELV Compliance](#) = RoHS compliant, ELV compliant
- [Lead Free Solder Processes](#) = Wave solder capable to 240°C, Wave solder capable to 260°C, Wave solder capable to 265°C
- [RoHS/ELV Compliance History](#) = Always was RoHS compliant

Conditions for Usage:

- [Temperature Rating](#) = Standard

Other:

- Brand = AMP

Corporate Information

[About TE](#)
[Investors](#)
[News Room](#)
[Supplier Portal](#)
[Careers](#)
[Terms & Conditions](#)
[Privacy Policy](#)

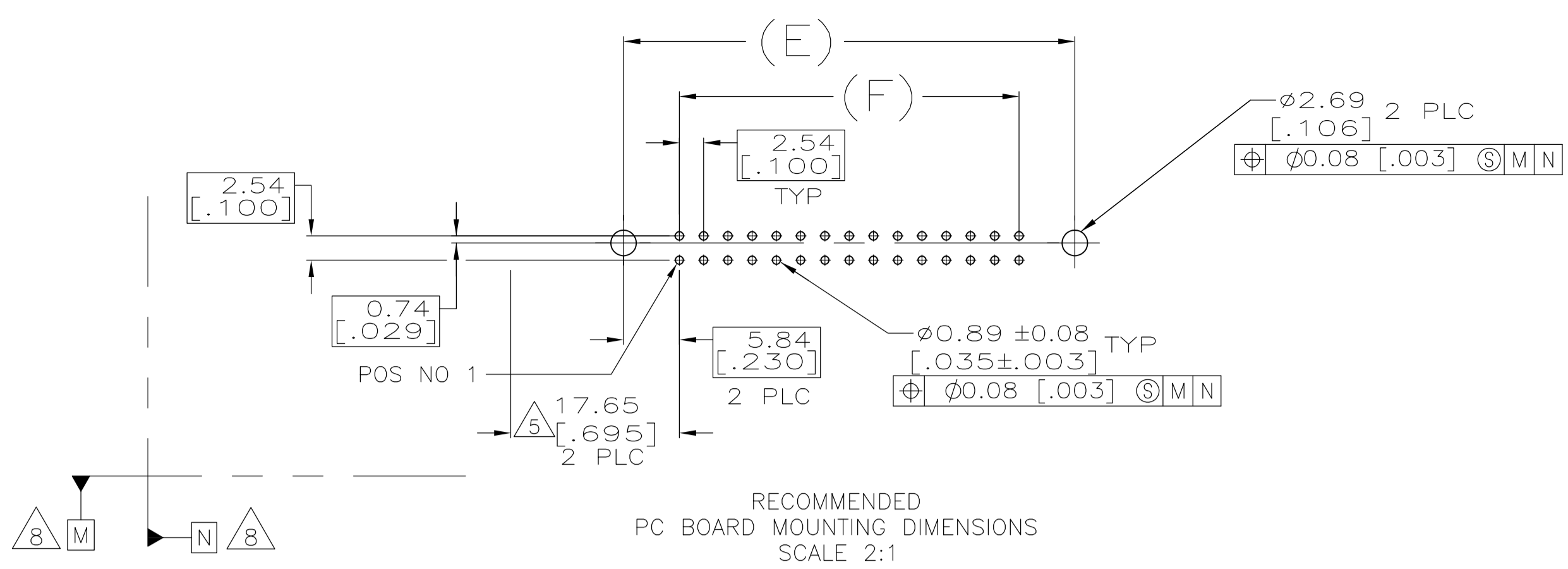
Quick Links

[Distributor Inventory](#)
[Product Cross Reference](#)
[Documents & Drawings](#)
[Product Compliance Support Center](#)
[Site Map](#)

Customer Support

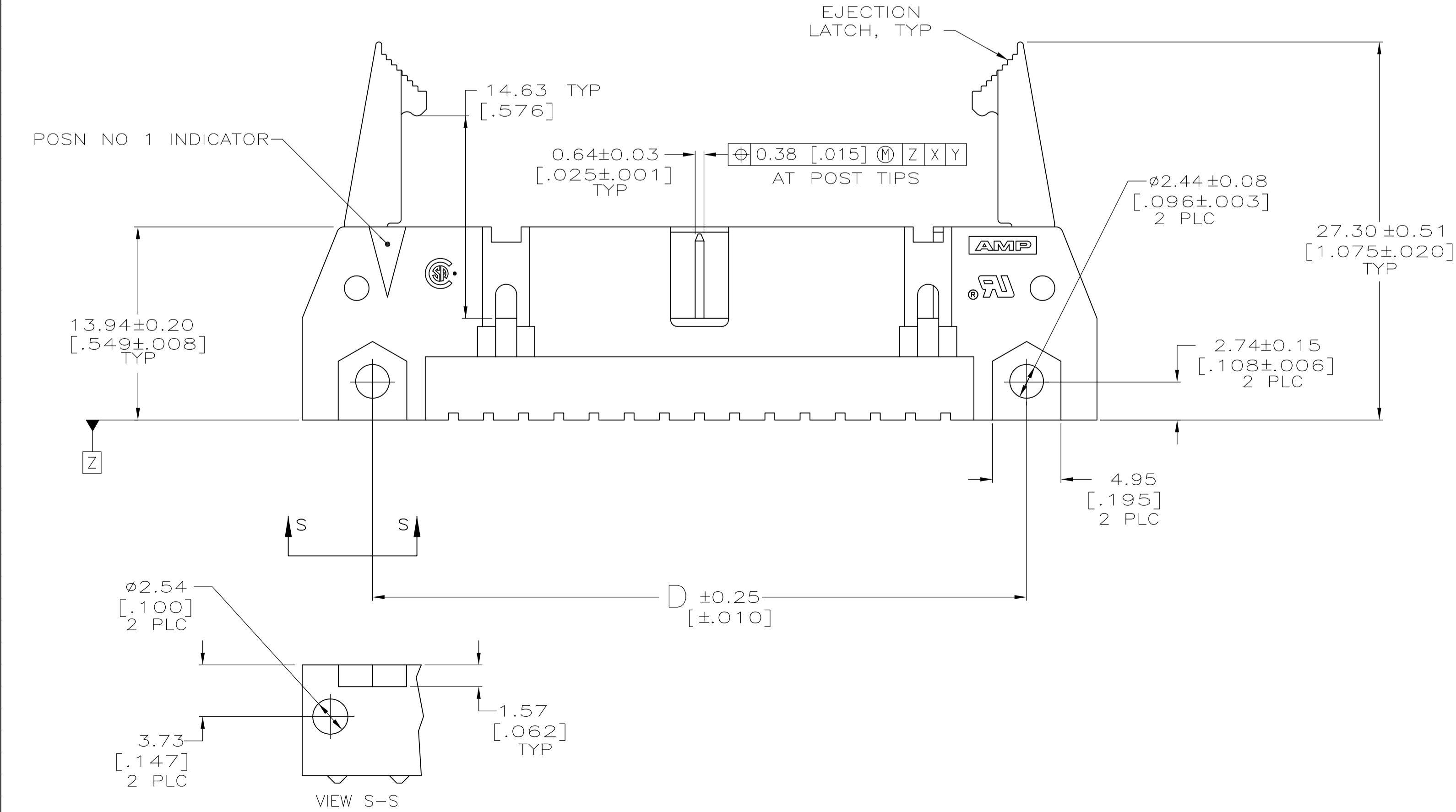
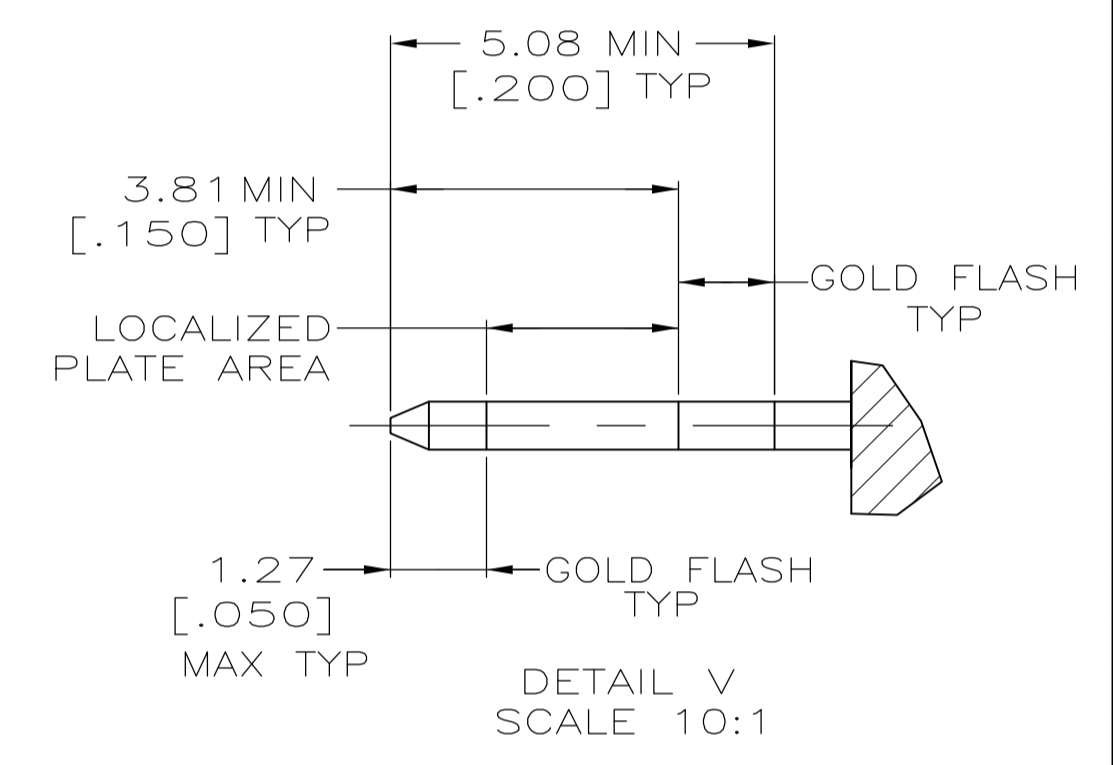
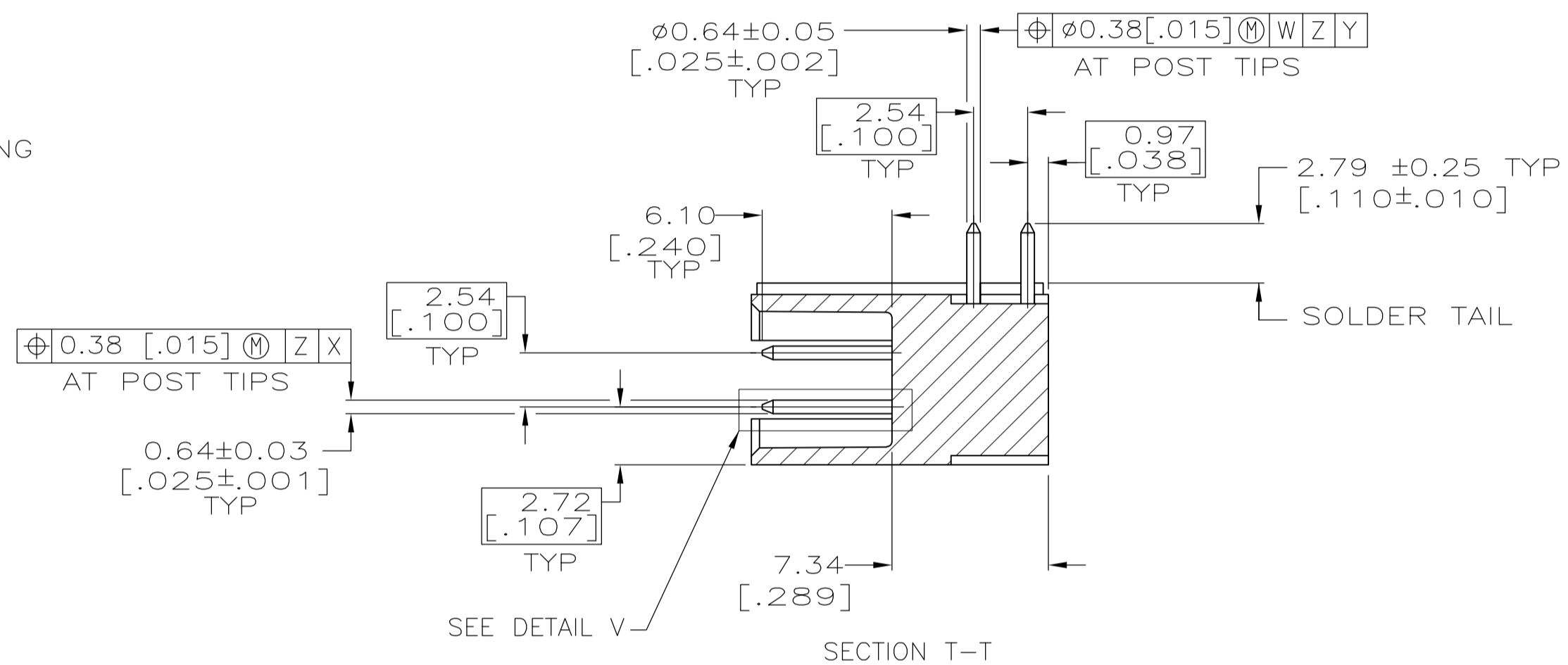
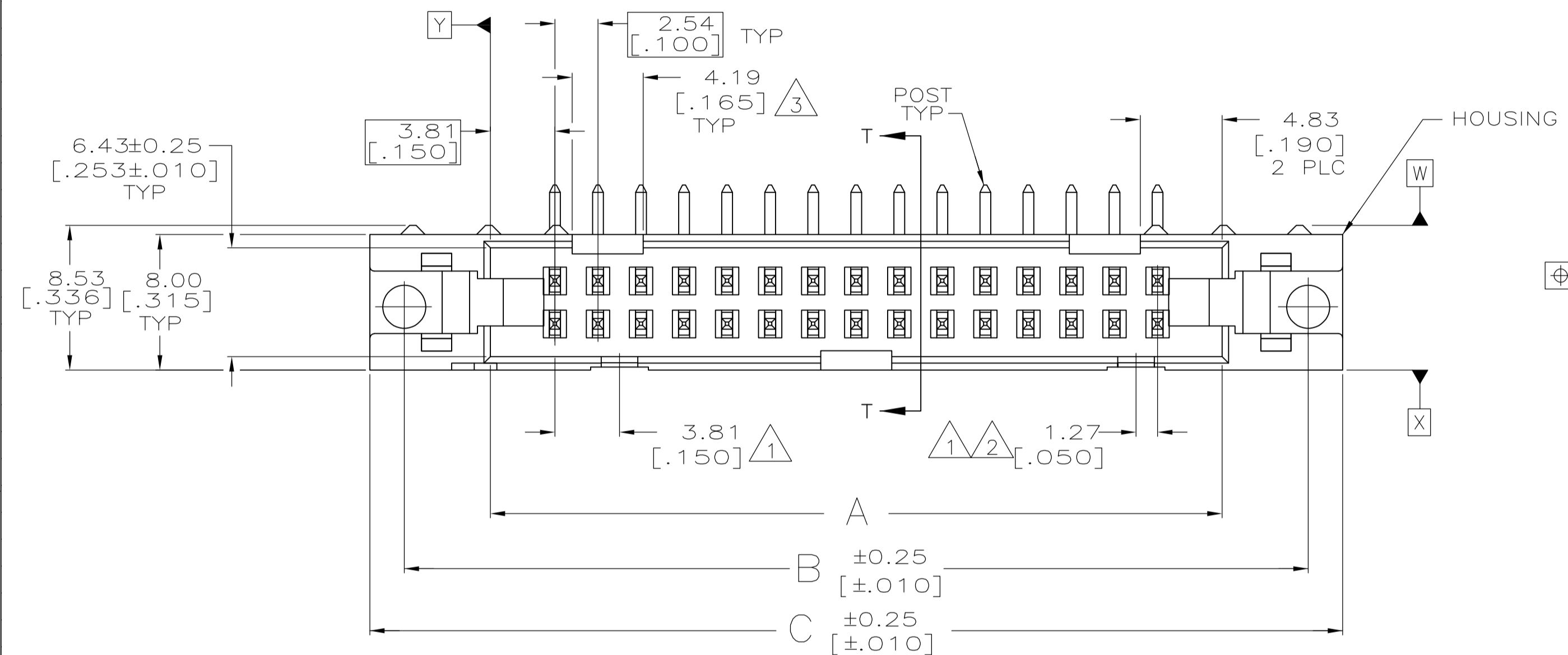
[Email or Chat With Us](#)
[Find a Phone Number](#)
[Knowledge Base](#)
[Manage Your Account](#)

Keep Me Informed



- 1. COORDINATE DIMENSION APPLIES FROM BASIC LOCATION.
- 2. 10 AND 14 POSITION SIZES CONTAIN ONLY ONE SLOT FOR SNAP-IN POLARIZER (MILITARY POLARIZATION) LOCATED AS SHOWN.
- 3. 10 POSITION SIZES CONTAIN ONLY ONE SLOT FOR DUAL POLARIZATION, LOCATED AS SHOWN.
- 4. RECOMMENDED PRINTED CIRCUIT BOARD THICKNESS IS 1.57 [0.062].
- 5. DISTANCE REQUIRED BY EJECTION LATCHES IN THE OPEN POSITION.
- 6. MATERIAL HOUSING & LATCHES: GLASS FILLED NYLON OR POLYESTER, UL94V-0 RATED BLACK. POSTS: BRASS.
- 7. POSTS:
GOLD FLASH OVER PALLADIUM-NICKEL PLATE, 0.38µm [0.00015] MIN TOTAL ON THE LOCALIZED PLATE AREA,
2.54µm [0.00100] MIN TIN PLATE ON THE SOLDER-TAILS,
1.27µm [0.00050] MIN NICKEL UNDERPLATE ON THE ENTIRE POST.
OR
0.38µm [0.00015] MIN GOLD PLATE ON THE LOCALIZED PLATE AREA,
2.54µm [0.00100] MIN TIN PLATE ON THE SOLDER-TAILS,
1.27µm [0.00050] MIN NICKEL UNDERPLATE ON THE ENTIRE POST.
- 8. DATUMS M & N TO BE ESTABLISHED BY CUSTOMER.

EJECTION LATCHES OMITTED IN THIS VIEW FOR CLARITY



	78.74 [3.100]	90.42 [3.560]	90.42 [3.560]	100.58 [3.960]	96.52 [3.800]	86.36 [3.400]	64	1-5499786-2
	73.66 [2.900]	85.34 [3.360]	85.34 [3.360]	95.50 [3.760]	91.44 [3.600]	81.28 [3.200]	60	1-5499786-1
	60.96 [2.400]	72.64 [2.860]	72.64 [2.860]	82.80 [3.260]	78.74 [3.100]	68.58 [2.700]	50	1-5499786-0
	48.26 [1.900]	59.94 [2.360]	59.94 [2.360]	70.10 [2.760]	66.04 [2.600]	55.88 [2.200]	40	5499786-9
	40.64 [1.600]	52.32 [2.060]	52.32 [2.060]	62.48 [2.460]	58.42 [2.300]	48.26 [1.900]	34	5499786-8
OBSOLETE	35.56 [1.400]	47.24 [1.860]	47.24 [1.860]	57.40 [2.260]	53.34 [2.100]	43.18 [1.700]	30	5499786-7
	30.48 [1.200]	42.16 [1.660]	42.16 [1.660]	52.32 [2.060]	48.26 [1.900]	38.10 [1.500]	26	5499786-6
	27.94 [1.100]	39.62 [1.560]	39.62 [1.560]	49.78 [1.960]	45.72 [1.800]	35.56 [1.400]	24	5499786-5
	22.86 [0.900]	34.54 [1.360]	34.54 [1.360]	44.70 [1.760]	40.64 [1.600]	30.48 [1.200]	20	5499786-4
	17.78 [0.700]	29.46 [1.160]	29.46 [1.160]	39.62 [1.560]	35.56 [1.400]	25.40 [1.000]	16	5499786-3
	15.24 [0.600]	26.92 [1.060]	26.92 [1.060]	37.08 [1.460]	33.02 [1.300]	22.86 [0.900]	14	5499786-2
	10.16 [0.400]	21.84 [0.860]	21.84 [0.860]	32.00 [1.260]	27.94 [1.100]	17.78 [0.700]	10	5499786-1
	F	E	D	C	B	A	NO OF POSN	PART NUMBER

THIS DRAWING IS A CONTROLLED DOCUMENT.

DIMENSIONS: mm (INCHES)	TOLERANCES UNLESS OTHERWISE SPECIFIED:	DIN L VARELA - DOCKS 01-07-05	CHK S BOLASH 01-07-05	APVD M WALMSLEY 01-07-05	NAME
0 PLC ± -	1 PLC ± -	STE			TE Connectivity
2 PLC ± -	3 PLC ± 0.13[0.005]	PRODUCT SPEC			HEADER ASSY, UNIVERSAL, AMP-LATCH
4 PLC ± -	ANGLES ± -	APPLICATION SPEC			108-40018
MATERIAL	FINISH	WEIGHT	SIZE	CAGE CODE	DRAWING NO
			A1	00779	5499786
CUSTOMER DRAWING		SCALE	SHEET	REV	
		4:1	1 of 1	E	