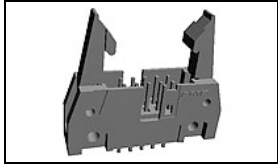


## 1-549922-0 Product Details



**1-549922-0**

TE Internal Number: 1-549922-0



Active

### AMP-LATCH Pin and Pinless Headers

 Always EU RoHS/ELV Compliant (Statement of Compliance)

#### Product Highlights:

- Header
- Header Type = Universal Ejection Pin Headers
- AMP-LATCH Product Line
- Standard Profile
- 50 Positions

### Documentation & Additional Information

#### Product Drawings:

- [HEADER ASSY, UNIVERSAL, AMP-LATCH](#) (PDF, English)

#### Catalog Pages/Data Sheets:

- [7-1773458-6\\_AMPLATCH\\_QRG](#) (PDF, English)
- [Ribbon Cable Interconnect Solutions](#) (PDF, English)

#### Product Specifications:

- [AMP-LATCH and IDC Header Connectors, .100 x .100 Inc...](#) (PDF, English)

#### Application Specifications:

- None Available

#### Instruction Sheets:

- None Available

#### CAD Files: (CAD Format & Compression Information)

- [2D Drawing](#) (DXF, Version 0)
- [3D Model](#) (IGES, Version 0)
- [3D Model](#) (STEP, Version 0)

#### Additional Information:

- [Product Line Information](#)

#### Related Products:

- [Tooling](#)
- [Mating Products \(5\)](#)

### Product Features (Please use the Product Drawing for all design activity)

#### Product Type Features:

- Connector Type = Header
- Product Line = AMP-LATCH
- Profile = Standard
- PCB Mounting Orientation = Vertical
- PCB Mount Retention = Without
- Mating Connector Lock = With
- Ejection Latches = With
- Post Size (mm [in]) = 0.64 [.025]
- Shrouded = Yes
- Latch Type = Long
- Mating Connector Lock Type = Latch

#### Termination Features:

- Termination Post Length (mm [in]) = 2.79 [0.110]
- Solder Tail Contact Plating = Tin

#### Dimensions:

- PCB Thickness, Recommended (mm [in]) = 1.57 [0.062]

#### Body Features:

- Header Type = Universal Ejection Pin Headers

#### Contact Features:

- Contact Plating, Mating Area, Material = Gold (15)
- Contact Shape = Square

#### Housing Features:

- Centerline, Matrix (mm [in]) = 2.54 x 2.54 [.100 x .100]
- Mating Alignment Type = Center, Dual Polarizing Bar, Military
- Housing Style = 4-Sided
- Mating Alignment = With
- Housing Material = Thermoplastic - GF
- UL Flammability Rating = UL 94V-0
- Housing Color = Black

#### Configuration Features:

- Number of Positions = 50

#### Industry Standards:

- RoHS/ELV Compliance = RoHS compliant, ELV compliant
- Lead Free Solder Processes = Wave solder capable to 260°C, Wave solder capable to 240°C, Wave solder capable to 265°C
- RoHS/ELV Compliance History = Always was RoHS compliant

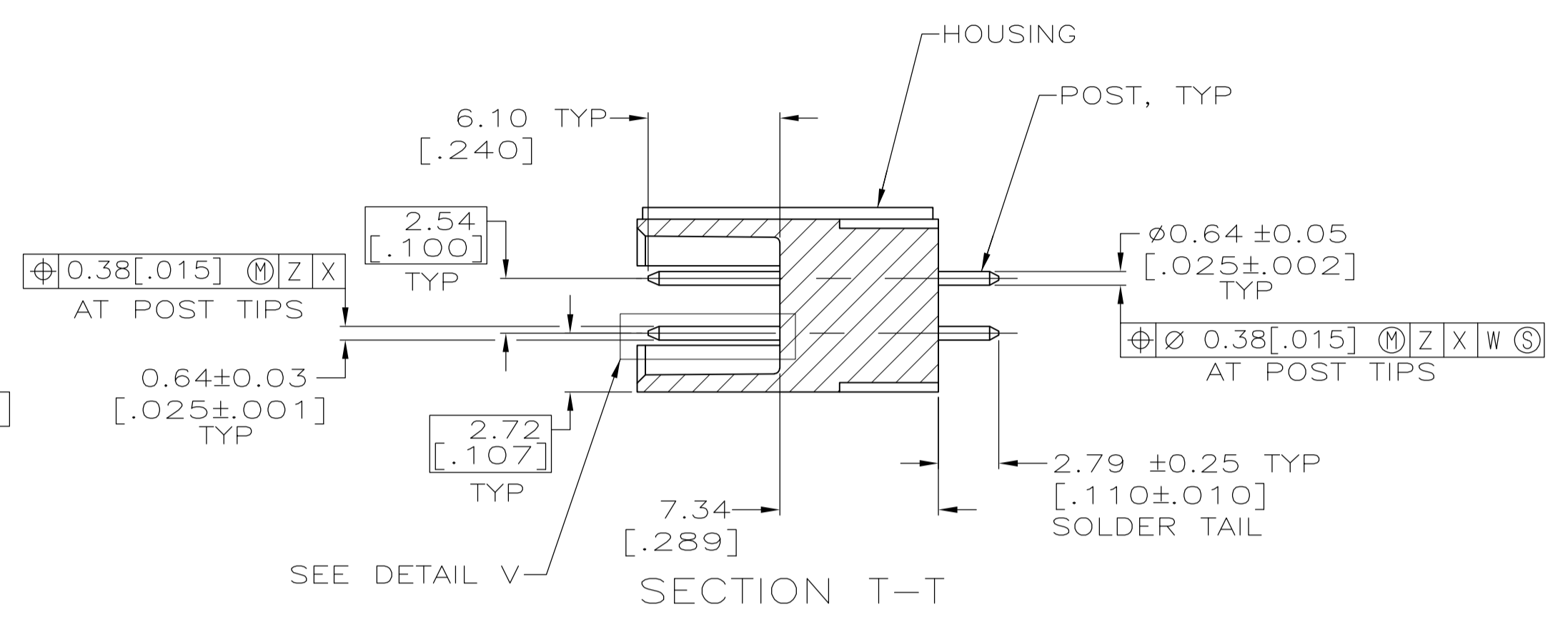
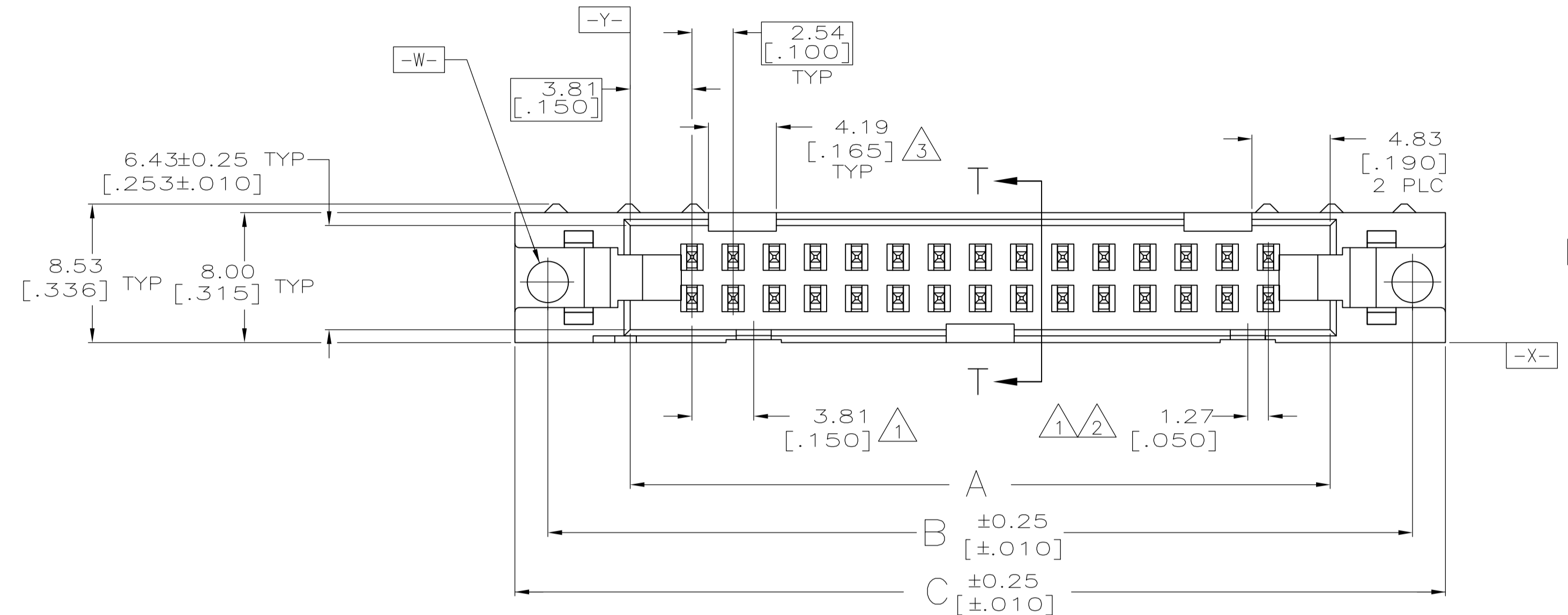
#### Conditions for Usage:

- Temperature Rating = Standard

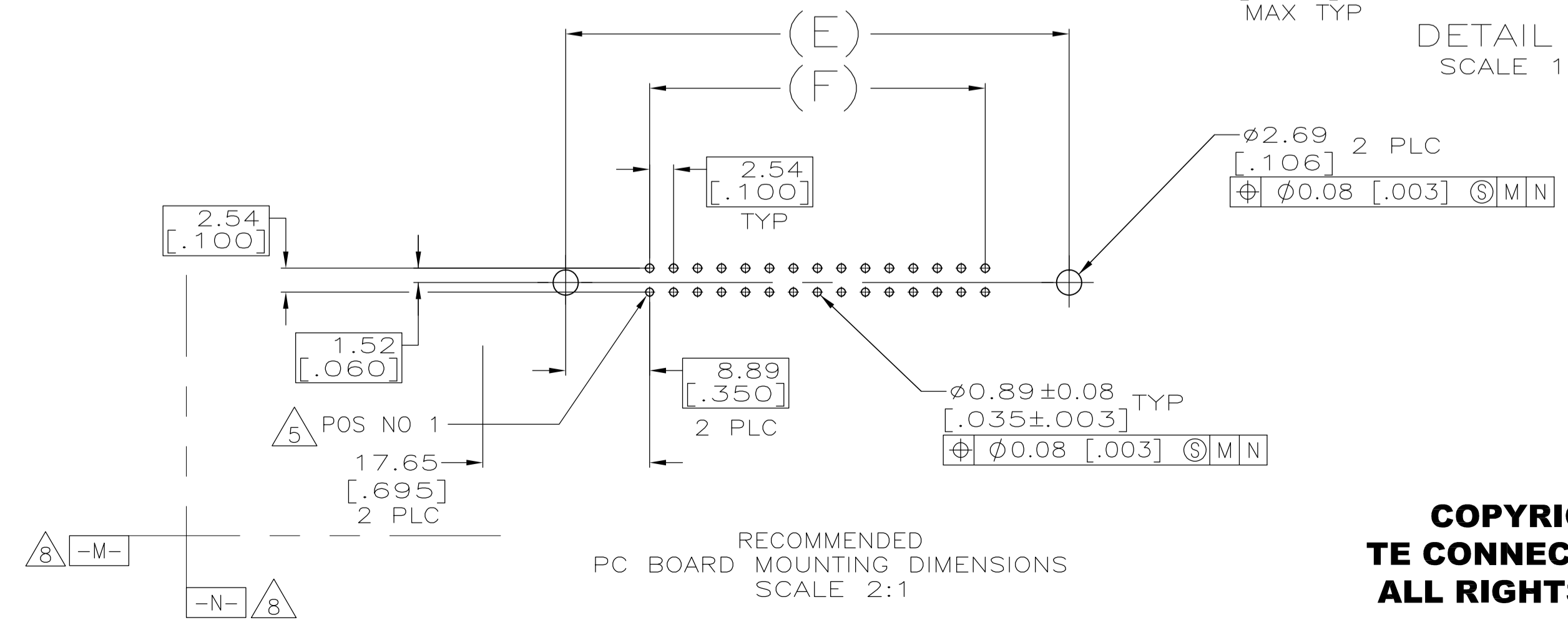
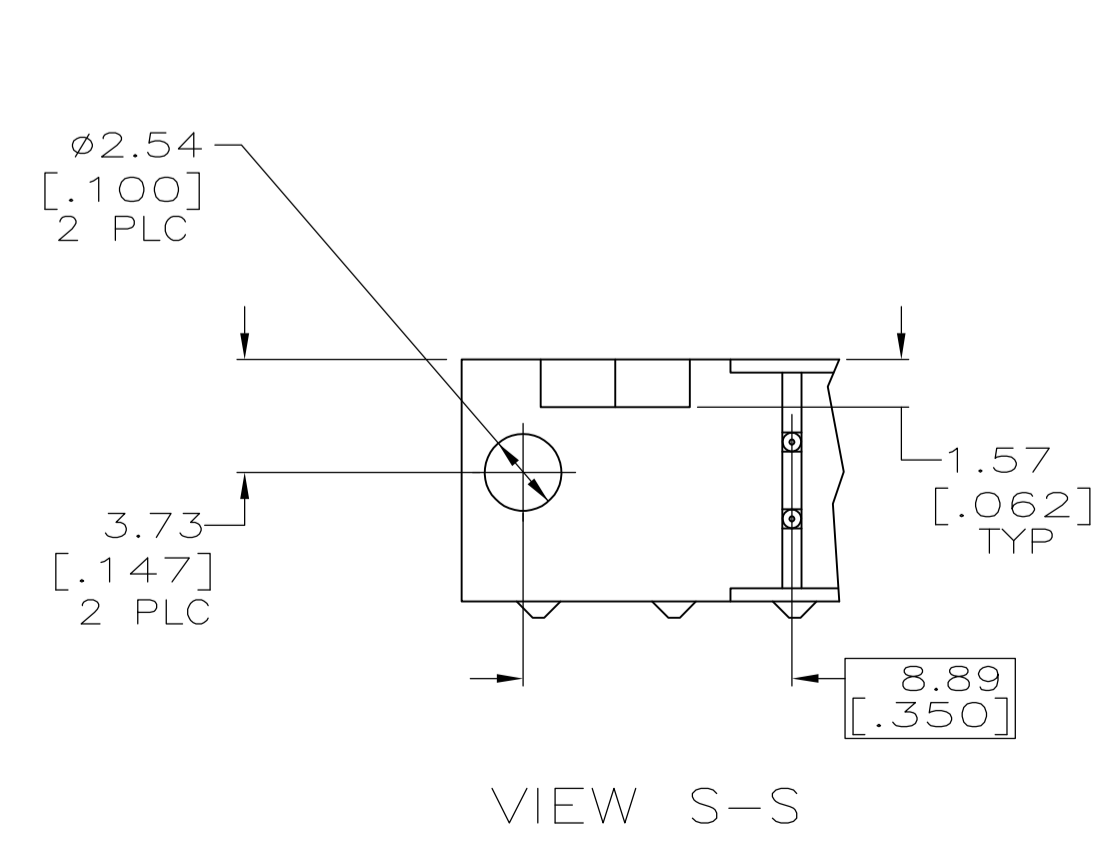
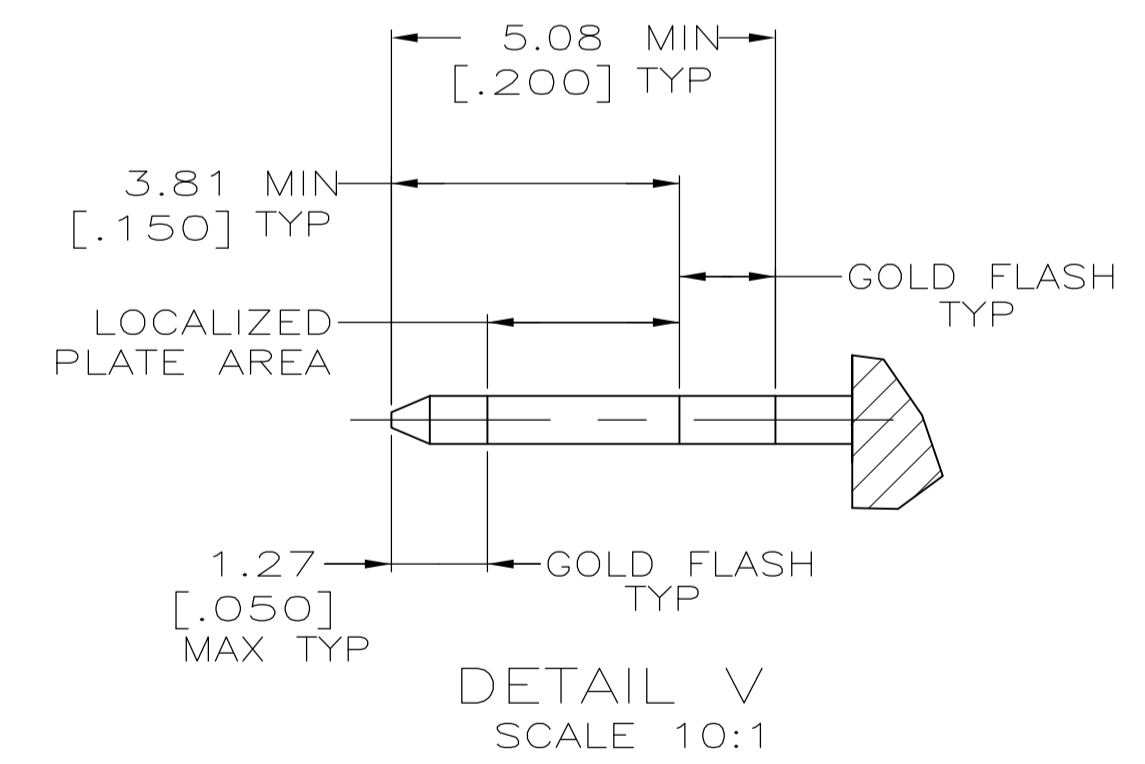
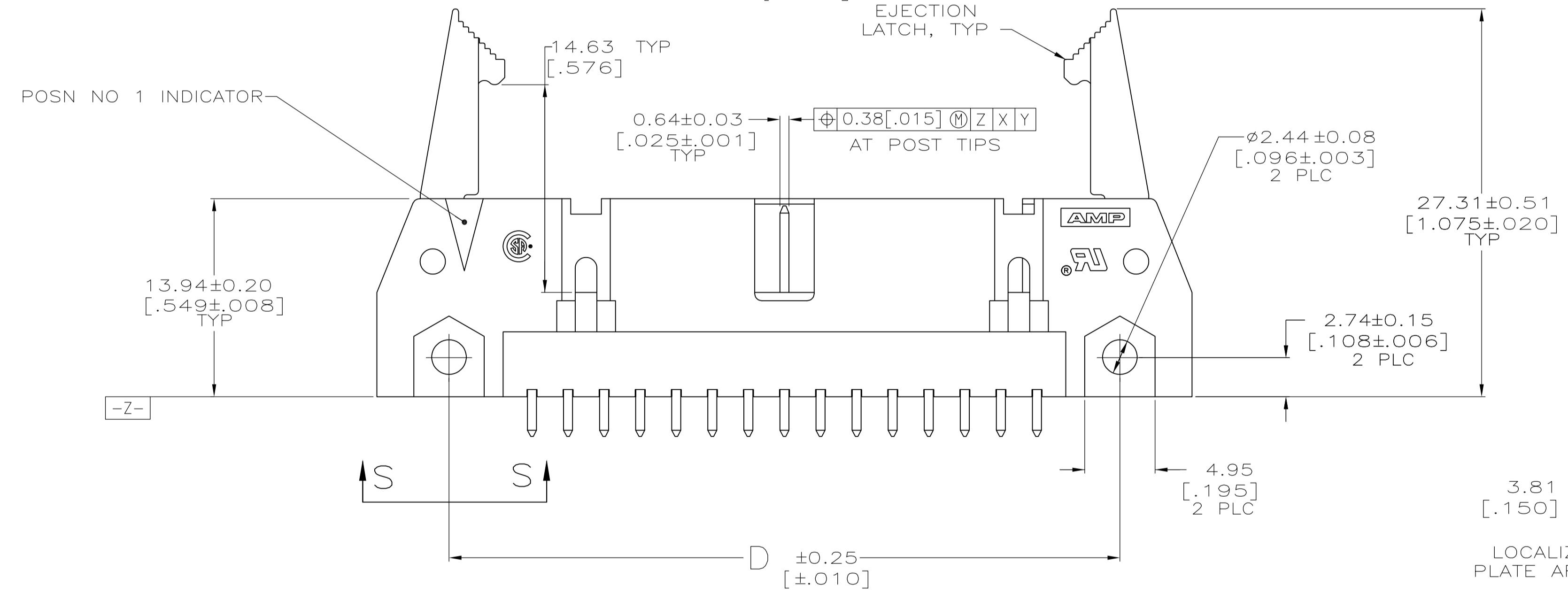
#### Other:

- Brand = AMP

EJECTION LATCHES OMITTED IN THIS VIEW FOR CLARITY



- 1 COORDINATE DIMENSION APPLIES FROM BASIC LOCATION.
- 2 10 AND 14 POSITION SIZES CONTAIN ONLY ONE SLOT FOR SNAP-IN POLARIZER (MILITARY POLARIZATION) LOCATED AS SHOWN.
- 3 10 POSITION SIZES CONTAIN ONLY ONE SLOT FOR DUAL POLARIZATION, LOCATED AS SHOWN.
- 4 RECOMMENDED PRINTED CIRCUIT BOARD THICKNESS IS 1.57 [.062].
- 5 DISTANCE REQUIRED BY EJECTION LATCHES IN THE OPEN POSITION.
- 6 HOUSING & LATCHES: GLASS FILLED NYLON OR POLYESTER, UL94V-0 RATED, BLACK. POSTS: PHOS BRONZE OR BRASS.
- 7 POSTS: GOLD FLASH OVER PALLADIUM-NICKEL PLATE, 0.38µm[.000015] MIN TOTAL ON THE LOCALIZED PLATE AREA, 2.54µm[.000100] MIN TIN PLATE ON THE SOLDER-TAILS, 1.27µm[.000050] MIN NICKEL UNDERPLATE ON THE ENTIRE POST. -OR- 0.38µm[.000015] MIN GOLD PLATE ON THE LOCALIZED PLATE AREA, 2.54µm[.000100] MIN TIN PLATE ON THE SOLDER-TAILS, 1.27µm[.000050] MIN NICKEL UNDERPLATE ON THE ENTIRE POST.
- 8 DATUMS -M- & -N- TO BE ESTABLISHED BY CUSTOMER.



78.74	96.52	90.42	100.58	96.52	86.36	64	1-5499922-2
[3.100]	[3.800]	[3.560]	[3.960]	[3.800]	[3.400]		
73.66	91.44	85.34	95.50	91.44	81.28	60	1-5499922-1
[2.900]	[3.600]	[3.360]	[3.760]	[3.600]	[3.200]		
60.96	78.74	72.64	82.80	78.74	68.58	50	1-5499922-0
[2.400]	[3.100]	[2.860]	[3.260]	[3.100]	[2.700]		
48.26	66.04	59.94	70.10	66.04	55.88	40	5499922-9
[1.900]	[2.600]	[2.360]	[2.760]	[2.600]	[2.200]		
40.64	58.42	52.32	62.48	58.42	48.26	34	5499922-8
[1.600]	[2.300]	[2.060]	[2.460]	[2.300]	[1.900]		
35.56	53.34	47.24	57.40	53.34	43.18	30	5499922-7
[1.400]	[2.100]	[1.860]	[2.260]	[2.100]	[1.700]		
30.48	48.26	42.16	52.32	48.26	38.10	26	5499922-6
[1.200]	[1.900]	[1.660]	[2.060]	[1.900]	[1.500]		
27.94	45.72	39.62	49.78	45.72	35.56	24	5499922-5
[1.100]	[1.800]	[1.560]	[1.960]	[1.800]	[1.400]		
22.86	40.64	34.54	44.70	40.64	30.48	20	5499922-4
[.900]	[1.600]	[1.360]	[1.760]	[1.600]	[1.200]		
17.78	35.56	29.46	39.62	35.56	25.40	16	5499922-3
[.700]	[1.400]	[1.160]	[1.560]	[1.400]	[1.000]		
15.24	33.02	26.92	37.08	33.02	22.86	14	5499922-2
[.600]	[1.300]	[1.060]	[1.460]	[1.300]	[.900]		
10.16	27.94	21.84	32.00	27.94	17.78	10	5499922-1
[.400]	[1.100]	[.860]	[1.260]	[1.100]	[.700]		
F	E	D	C	B	A	NO OF POSN	PART NUMBER

THIS DRAWING IS A CONTROLLED DOCUMENT.

DIMENSIONS: MM (INCHES)	TOLERANCES UNLESS OTHERWISE SPECIFIED:	DIN L VARELA - DOCKS 01-11-05	TE Connectivity
0 PLC ± -	1 PLC ± -	APVD S. BOLASH 01-11-05	NAME
2 PLC ± ± 0.13[.005]	3 PLC ± ± -	M. WALMSLEY 01-11-05	HEATER ASSY, UNIVERSAL, AMP-LATCH
4 PLC ± ± -	ANGLES ± ± -	PRODUCT SPEC 108-40018	APPLICATION SPEC
MATERIAL	FINISH	SIZE CASE CODE DRAWING NO. A1 00779 5499922	RESTRICTED TO
		WEIGHT	CUSTOMER DRAWING

SCALE 4:1 SHEET 1 OF 1 REV B1

**COPYRIGHT 2005  
TE CONNECTIVITY CORP  
ALL RIGHTS RESERVED**