



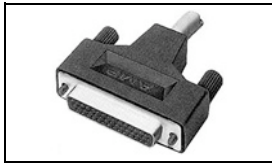
Have a Question?
 Chat with a Product
 Information Specialist

What can we help you find?

[Products](#) |
 [Industries](#) |
 [Resources](#) |
 [About TE](#) |
 [My Account](#) |
 [Innovation](#) |
 [Support Center](#)

1571654-4 Product Details

[Share](#) |
 [Print](#) |
 [Email](#)



1571654-4

TE Internal Number: 1571654-4

Active

[View 3D PDF](#)

Standard Cable Connectors

Always EU RoHS/ELV Compliant (Statement of Compliance)

Product Highlights:

- Connector
- Product Series = HD-20 (Solder Cup)
- 9 Positions
- With Enclosure
- Shielded

[View all Features](#)

Quick Links

- ▶ [Pricing & Availability](#)
- ▶ [Search for Tooling](#)
- ▶ [View Mating Products \(20\)](#)
- ▶ [Product Feature Selector](#)
- ▶ [Contact Us About This Product](#)

[Add to My Part List](#) |
 [Request Sample](#) |
 [Find Similar Products](#) |
 [Buy Product](#)

Documentation & Additional Information

Product Drawings:

- [BULK KIT, RECEPTACLE, AMPLIMITE SOLDER CUP SHIELDING...](#) (PDF, English)

Catalog Pages/Data Sheets:

- [AMPLIMITE Subminiature D Connectors - Cable Connectors](#) (PDF, English)

Product Specifications:

- None Available

Application Specifications:

- None Available

Instruction Sheets:

- [AMPLIMITE Solder Cup Shielding Enclosure Kits](#) (PDF, English)

CAD Files: (CAD Format & Compression Information)

- [2D Drawing](#) (DXF, Version D2)
- [3D Model](#) (IGES, Version D2)
- [3D Model](#) (STEP, Version D2)

[List all Documents](#)

Additional Information:

- [Product Line Information](#)

Related Products:

- [Tooling](#)
- [Mating Products \(20\)](#)

Product Features (Please use the Product Drawing for all design activity)

Product Type Features:

- **Product Type** = Connector
- **Product Series** = HD-20 (Solder Cup)
- **Wire/Cable Type** = Round Jacketed Cable
- **Termination Method to Wire/Cable** = Solder
- **Mating Connector Lock** = With
- **Mating Connector Lock Type** = Jackscrews
- **Shell Size** = 1
- **Shell Type** = Full Metal Shell
- **Grounding Indents** = Without
- **Grade** = Standard
- **Enclosure Material** = PVC
- **Color** = Black
- **Shell Material** = Steel
- **Shield Material** = Steel

Electrical Characteristics:

- **Shielded** = Yes

Termination Features:

- **Solder Tail Contact Plating** = Tin

Dimensions:

- **Cable Insulation Diameter (mm [in])** = 7.20 [0.283]

Body Features:

- **Wire Range (mm² [AWG])** = 0.5 - 0.6 [20]
- **Jackscrew Material** = Brass
- **Shell Plating** = Tin
- **Shield Plating** = Tin
- **Insert Material** = PBT

Contact Features:

- **Contact Type** = Socket
- **Contact Base Material** = Brass
- **Contact Plating, Mating Area, Material** = Gold Flash
- **Contact Size** = 20
- **Contact Configuration** = Solder Cup

Housing Features:

- **Enclosure** = With
- **Connector Style** = Receptacle

Configuration Features:

- **Number of Positions** = 9
- **Preloaded** = Yes
- **Pre-Assembled** = No

Industry Standards:

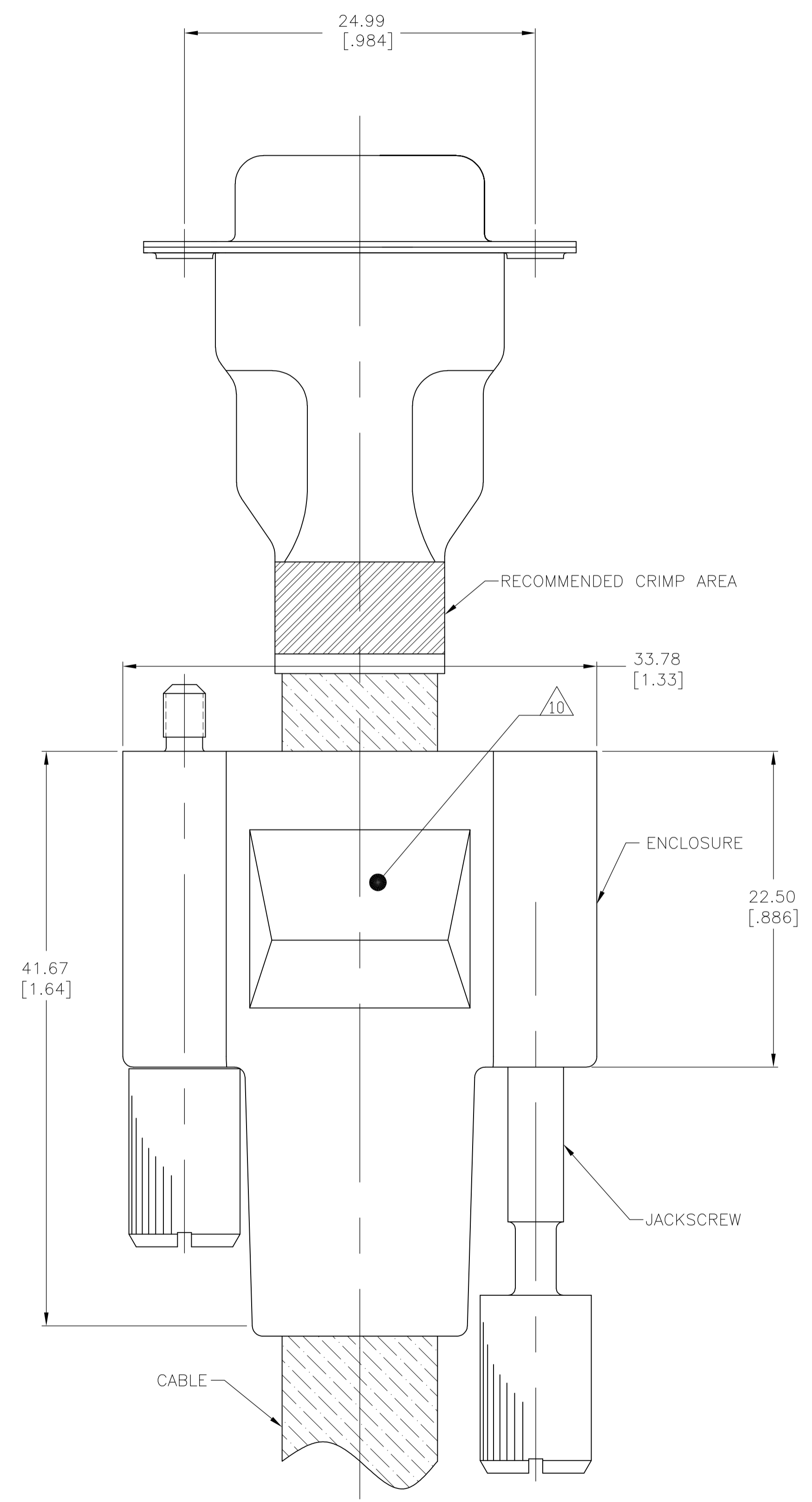
- **RoHS/ELV Compliance** = RoHS compliant, ELV compliant
- **Lead Free Solder Processes** = Hand solderable with lead free solder
- **RoHS/ELV Compliance History** = Always was RoHS compliant
- **Insert Flammability Rating** = UL 94V-0

Packaging Features:

- **Packaging Method** = Bulk

Other:

- **Brand** = AMP



EXPLODED VIEW OF ASSEMBLED KIT

- 1 MATERIAL
INSERT: PBT, BLACK, UL94V-0 RATED
CONTACT & JACKSCREWS: BRASS
SHELLS & SHIELD: STEEL
ENCLOSURE: PVC, BLACK
- 2 FINISH
CONTACT: GOLD PLATING 0.02 μ m[.000008] MIN ON CONTACT AREA/2.3 μ m[.000090] MIN TIN-LEAD PLATING ON SOLDER AREA. ALL OVER 1.27 μ m[.000050] MIN NICKEL.
SHELL: 2.4 μ m[.000095] MIN TIN
SHIELD: 2.0-3.0 μ m[.000080-.000120] TIN
- 3. SPECIFICATION
ELECTRICAL CHARACTERISTICS:
CURRENT RATING: 3 AMPERES
DIELECTRIC WITHSTANDING VOLTAGE: AC 1000V R.M.S.
INSULATION RESISTANCE: 5000 MEGOHMS MINIMUM AT DC 500V
CONTACT RESISTANCE: 10 MILLIOHMS MAXIMUM.
- 4. RECEPTACLE CONNECTOR FULLY LOADED WITH CONTACTS.
ALL OTHER PARTS ARE SHIPPED UNASSEMBLED, EACH PART INDIVIDUALLY BULK PACKED.
- 5. SOLDER CUP WILL ACCOMMODATE 20 MAX AWG WIRE.
- 6 FINISH
CONTACT: GOLD PLATING 0.02 μ m[.000008] MIN ON CONTACT AREA/2.3 μ m[.000090] MIN HOT DIPPED TIN-COPPER PLATING ON SOLDER AREA. ALL OVER 1.27 μ m[.000050] MIN NICKEL.
SHELL: 2.4 μ m[.000095] MIN BRIGHT TIN.
SHIELD: 2.0-3.0 μ m[.000080-.000120] TIN.
- 8 ROHS 2002/95/EC COMPLIANT PART (SEE SHEET 2).
- 9 OBSOLETE PARTS: OBSOLETE CIS STREAMLINING PER D.RENAUD/D.SINISI.
- 10 COMPANY LOGO IN APPROXIMATE AREA SHOWN.
- 11. ASSEMBLY PER 408-10443.

8, 9	OBSOLETE	6	10.8 [.425]	1571654-6
8		6	9.5 [.374]	1571654-5
8		6	7.2 [.283]	1571654-4
SUPERSEDED BY 1571654-6		2	10.8 [.425]	1571654-3
SUPERSEDED BY 1571654-5		2	9.5 [.374]	1571654-2
SUPERSEDED BY 1571654-4		2	7.2 [.283]	1571654-1
	FINISH	CABLE DIA	PART NUMBER	

THIS DRAWING IS A CONTROLLED DOCUMENT. DIMENSIONING AND TOLERANCING PER ASME Y14.5M-2009		DIN M. BINNER 21NOV03	STE TE Connectivity	
DIMENSIONS: mm [INCHES]	TOLERANCES UNLESS OTHERWISE SPECIFIED:	APVD	NAME	BULK KIT, RECEPTACLE, AMPLIMITE SOLDER CUP SHIELDING ENCLOSURE 9 POSITION, SIZE 1
0 PLC ± -	1 PLC ± 0.3[.012]	PRODUCT SPEC	108-40031	
2 PLC ± -	3 PLC ± -	APPLICATION SPEC		
4 PLC ± -	ANGLES ± -	SIZE	A1	
MATERIAL 1	FINISH 2, 6	WEIGHT	00779	1571654
CUSTOMER DRAWING		SCALE	4:1	SHEET 1 OF 1 REV F