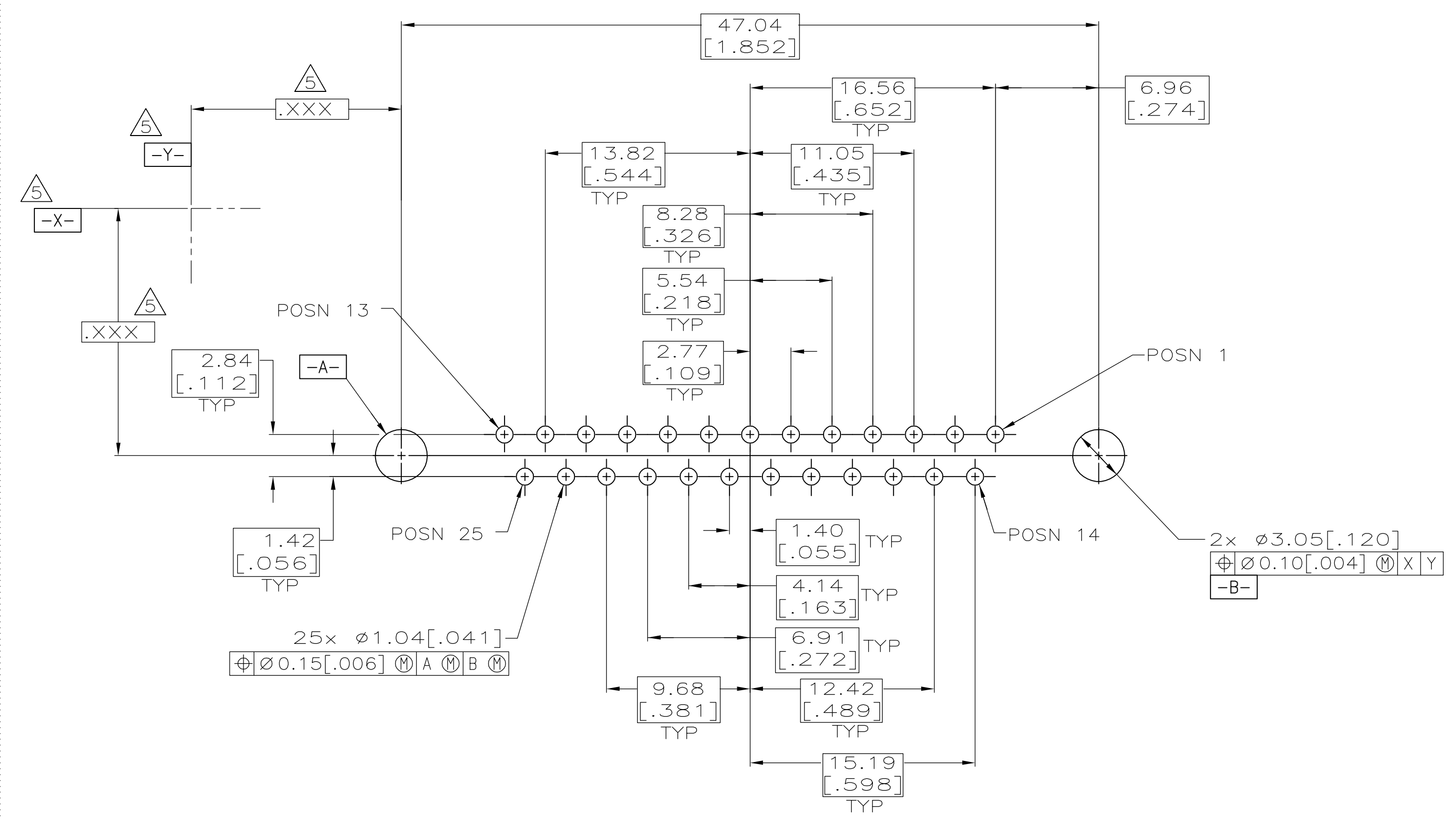
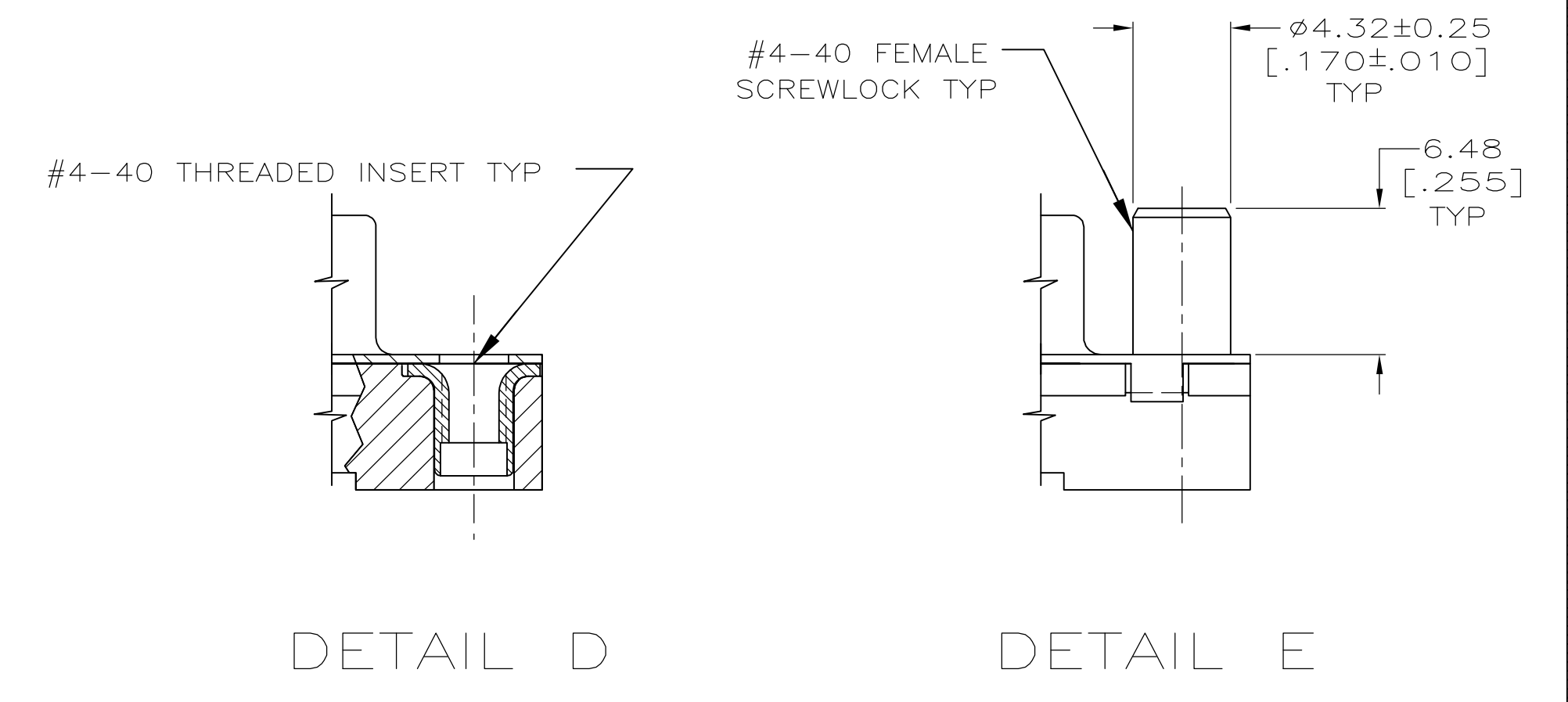
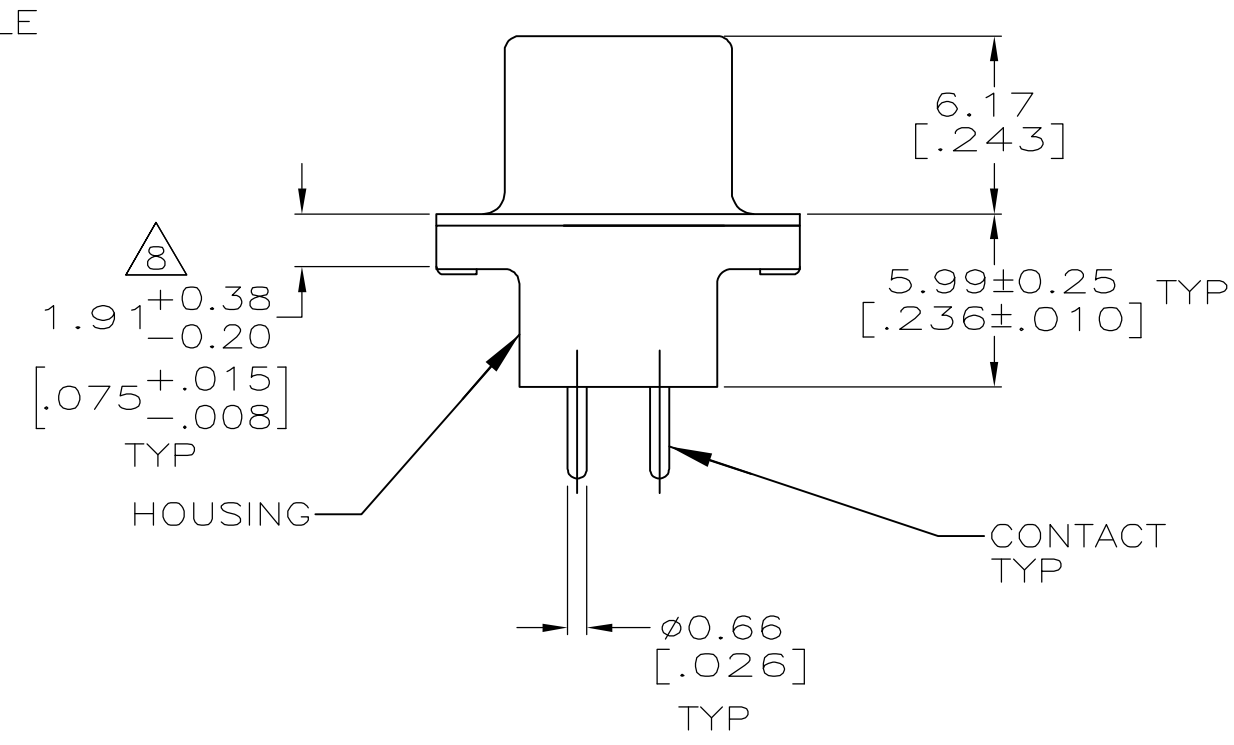
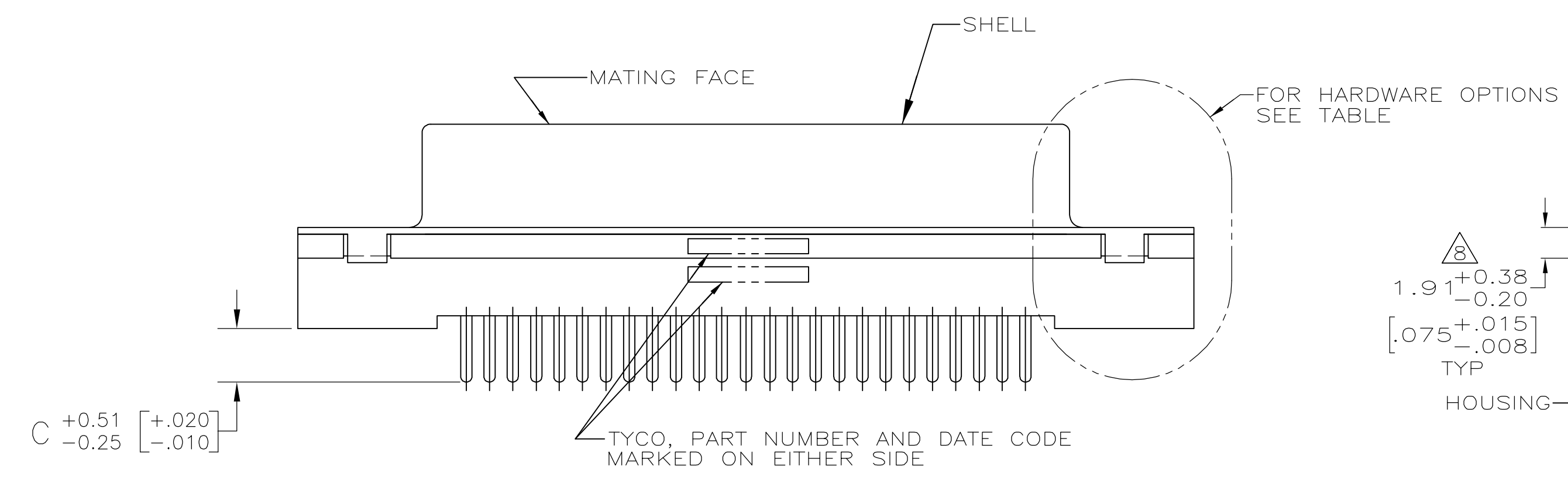


- △ HOUSING: POLYESTER, UL 94V-0 RATED, BLACK.
SHELL: CARBON STEEL.
CONTACTS: PHOSPHOR BRONZE.
SCREWLOCKS: ZINC.
INSERTS: BRASS.
- △ SHELL: 5.08μm [.000200] MIN TIN OVER 2.54μm [.000100] MIN COPPER.
CONTACTS: SEE TABLE.
SCREWLOCKS: CLEAR CHROMATE.
INSERTS: UNPLATED.
- △ GOLD FLASH FOR A LENGTH OF 2.54[.100] MIN FROM MATING END, 2.54μm [.000100] MIN TIN ON OPPOSITE END, BOTH OVER 1.27μm [.000050] MIN NICKEL.
- △ 0.76μm [.000030] MIN GOLD FOR A LENGTH OF 2.54 [.100] MIN FROM MATING END, 2.54μm [.000100] MIN TIN ON OPPOSITE END, BOTH OVER 1.27μm [.000050] MIN NICKEL.
- △ DATUMS AND BASIC DIMENSIONS ESTABLISHED BY CUSTOMER.
- △ 2.79[.110] MAX IN SHELL TAB CLINCH AREAS.



DETAIL E	△4	4.32 [.170]	1-5745967-6
DETAIL E	△3	4.32 [.170]	1-5745967-5
DETAIL E	△4	3.18 [.125]	1-5745967-4
DETAIL D	△4	4.32 [.170]	1-5745967-0
DETAIL D	△4	3.18 [.125]	5745967-8
DETAIL D	△3	3.18 [.125]	5745967-7
AS SHOWN	△4	4.32 [.170]	5745967-4
AS SHOWN	△4	3.18 [.125]	5745967-2
HARDWARE OPTIONS	CONTACTS FINISH	C	PART NO

THIS DRAWING IS A CONTROLLED DOCUMENT.

DIMENSIONS: mm[INCHES]	TOLERANCES UNLESS OTHERWISE SPECIFIED:	DWN B. LATTUCA	20SEPT05	APVD M. WALMSLEY	20SEPT05	NAME	RECEPTACLE ASSY, SIZE 3, 25 POS, FRONT METAL SHELL, WITH OR WITHOUT SCREWLOCKS OR INSERTS, AMPLIMITE HDP
0 PLC ± -	1 PLC ± -	2 PLC ± .013 [005]	3 PLC ± -	4 PLC ± -	ANGLES ± -	FINISH	108-40025
						APPLICATION SPEC	114-40023
						SIZE	A1
						WEIGHT	-
						CAGE CODE	00779
						DRAWING NO	5745967
						RESTRICTED TO	-
						SCALE	4:1
						SHEET	1 OF 1
						REV	A

CUSTOMER DRAWING