

1-5745967-4 Product Details

[Share](#) [Print](#) [Email](#)




1-5745967-4

TE Internal Number: 1-5745967-4

 Active

[View 3D PDF](#)

Standard Board Mount Connectors

 Always EU RoHS/ELV Compliant
(Statement of Compliance)

Product Highlights:

- 25 Positions
- Connector Style = Receptacle
- PCB Mounting Orientation = Vertical
- Product Series = HD 20
- With Mating Connector Lock

[View all Features](#)

Quick Links

- ▶ [Pricing & Availability](#)
- ▶ [Search for Tooling](#)
- ▶ [View Mating Products \(9\)](#)
- ▶ [Product Feature Selector](#)
- ▶ [Contact Us About This Product](#)

[Add to My Part List](#)

[Request Sample](#)

[Find Similar Products](#)

[Buy Product](#)

Documentation & Additional Information

Product Drawings:

- [RECEPTACLE ASSY, SIZE 3, 25 POS, FRONT METAL SHELL, ... \(PDF, English\)](#)

Catalog Pages/Data Sheets:

- [AMPLIMITE Subminiature D Connectors - Straight Poste... \(PDF, English\)](#)

Product Specifications:

- [AMPLIMITE HD-20 PCB Mounted Connector \(PDF, English\)](#)

Application Specifications:

- [AMPLIMITE HD-20 Straight Solder Contact Tine, Front ... \(PDF, English\)](#)

Instruction Sheets:

- None Available

CAD Files: (CAD Format & Compression Information)

- [2D Drawing \(DXF, Version A\)](#)
- [3D Model \(IGES, Version A\)](#)
- [3D Model \(STEP, Version A\)](#)

[List all Documents](#)

Additional Information:

- [Product Line Information](#)

Related Products:

- [Tooling](#)
- [Mating Products \(9\)](#)

Product Features (Please use the Product Drawing for all design activity)

Product Type Features:

- [PCB Mounting Orientation](#) = Vertical
- [Product Series](#) = HD 20
- [Mating Connector Lock](#) = With
- [Mating Connector Lock Type](#) = Female Screwlocks, Fixed
- [PCB Mount Retention](#) = With
- [PCB Mount Retention Type](#) = Mounting Hole(s)
- [Shell Type](#) = Front Metal Shell
- [Shell Size](#) = 3
- [Grounding Indents](#) = Without
- [Grounding Straps](#) = Without
- [PCB Mount Style](#) = Through Hole
- [Color Code](#) = None
- Sealed = No
- Profile = Standard

Body Features:

- [Shell Material](#) = Steel
- [Shell Plating](#) = Tin
- [Female Screwlock Material](#) = Zinc

Contact Features:

- [Contact Plating, Mating Area, Material](#) = Gold (30)
- [Solder Tail Contact Plating](#) = Tin over Nickel
- [Contact Shape](#) = Round
- [Contact Base Material](#) = Phosphor Bronze

Housing Features:

- [Connector Style](#) = Receptacle
- [UL Flammability Rating](#) = UL 94V-0
- [Housing Material](#) = Thermoplastic - GF

- Post Size (mm [in]) = 0.66 [.026]
- Mounting Hole Diameter (mm [in]) = 3.07 [.121]

Mechanical Attachment:

- [Panel Mount Retention](#) = Without

Termination Features:

- [Grounding Clips](#) = Without
- [Termination Post Length \(mm \[in\]\)](#) = 3.18 [0.125]

Dimensions:

- [PCB Thickness, Recommended \(in \[mm\]\)](#) = 0.062 - 0.093 [1.57 - 2.36]

Configuration Features:

- [Number of Positions](#) = 25

Industry Standards:

- [RoHS/ELV Compliance](#) = RoHS compliant, ELV compliant
- [Lead Free Solder Processes](#) = Wave solder capable to 240°C, Wave solder capable to 260°C, Wave solder capable to 265°C
- [RoHS/ELV Compliance History](#) = Always was RoHS compliant

Operation/Application:

- [Application](#) = Standard

Other:

- [Brand](#) = AMP
- [Comment](#) = All receptacles are preloaded with size 20 DF posted socket contacts

Corporate Information

- [About TE](#)
- [Investors](#)
- [News Room](#)
- [Supplier Portal](#)
- [Careers](#)
- [Terms & Conditions](#)
- [Privacy Policy](#)

Quick Links

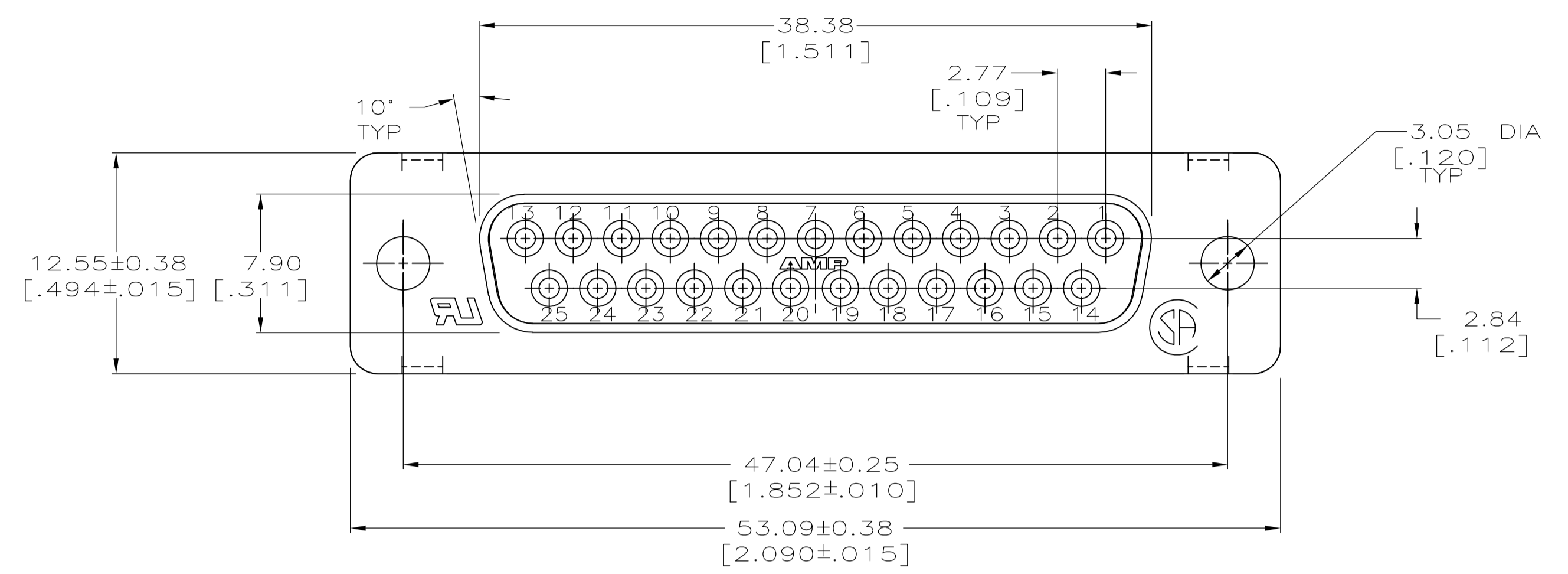
- [Distributor Inventory](#)
- [Product Cross Reference](#)
- [Documents & Drawings](#)
- [Product Compliance Support Center](#)
- [Site Map](#)

Customer Support

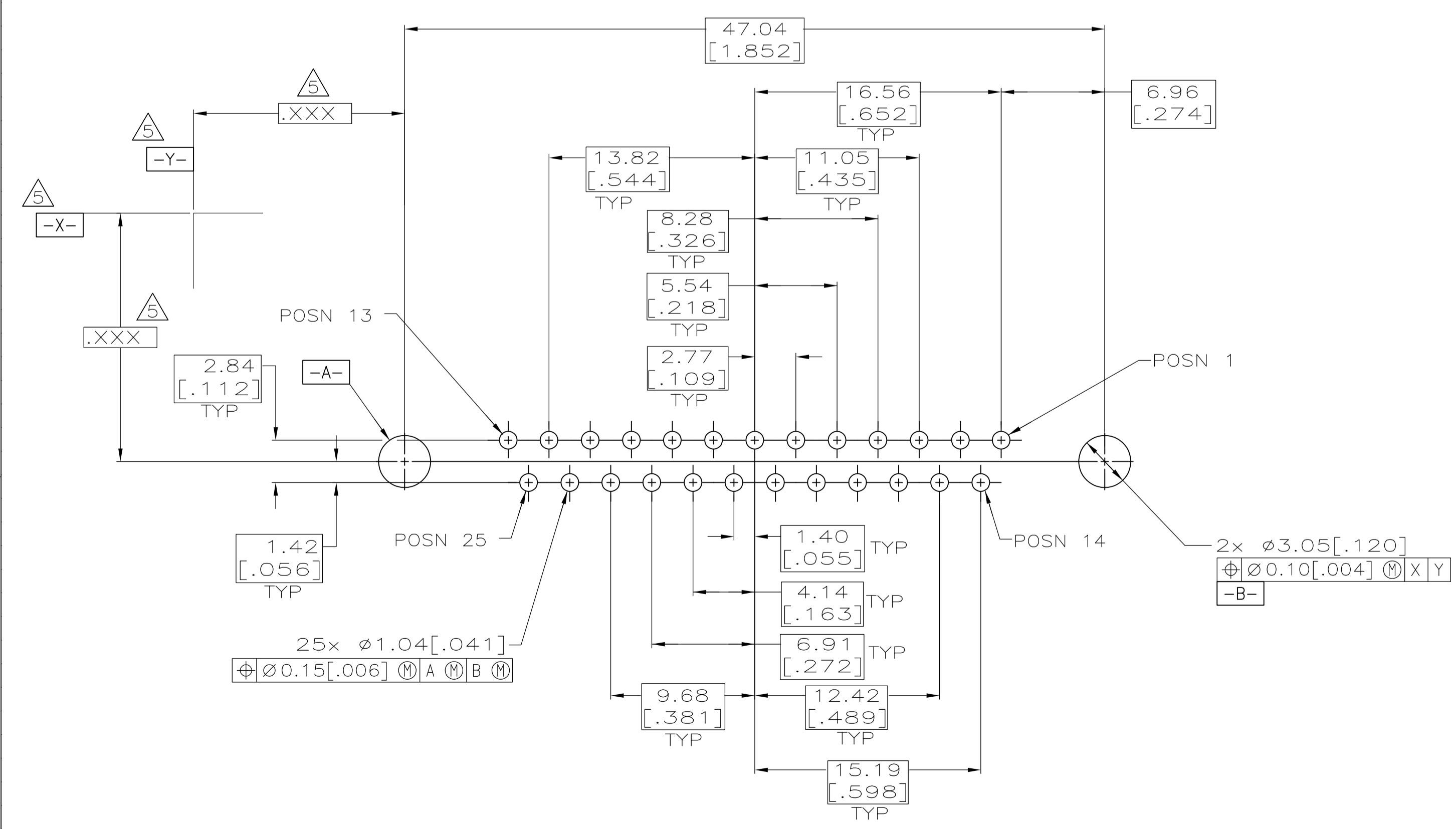
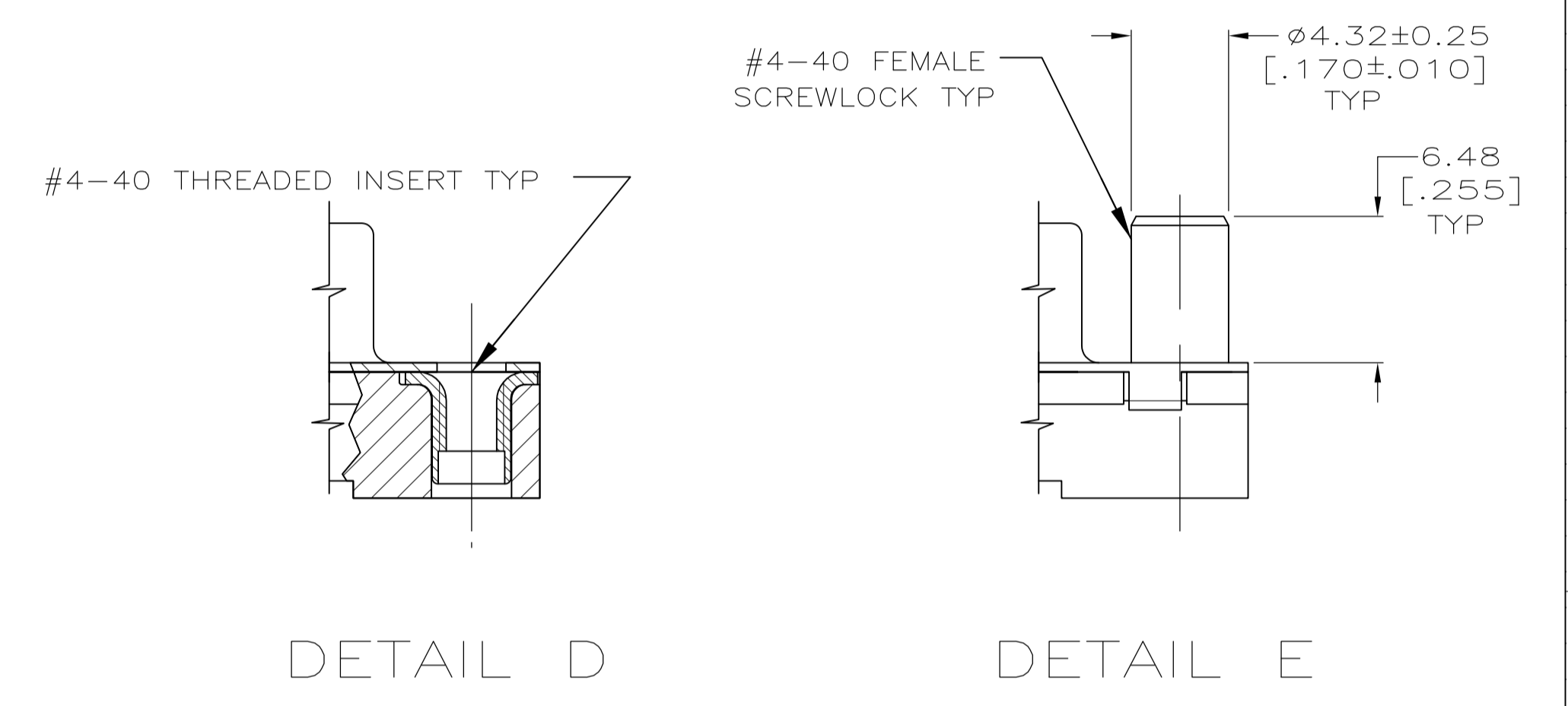
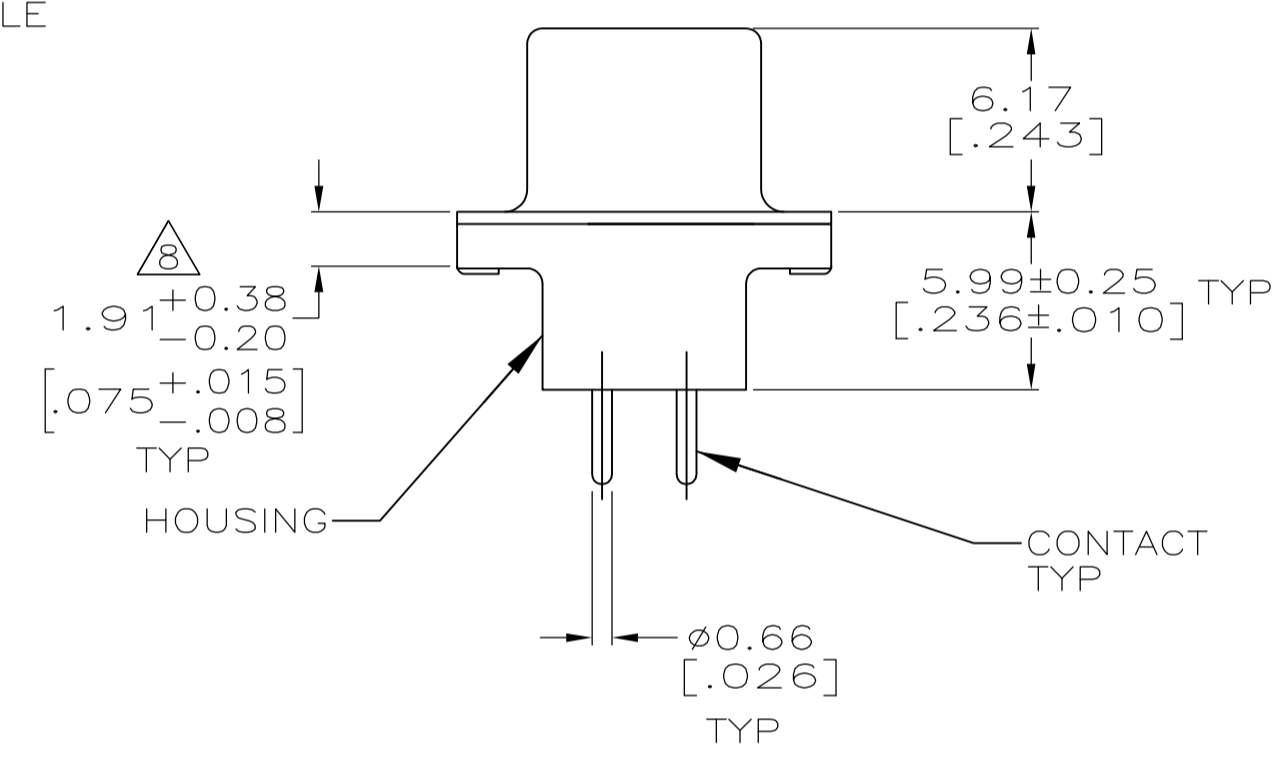
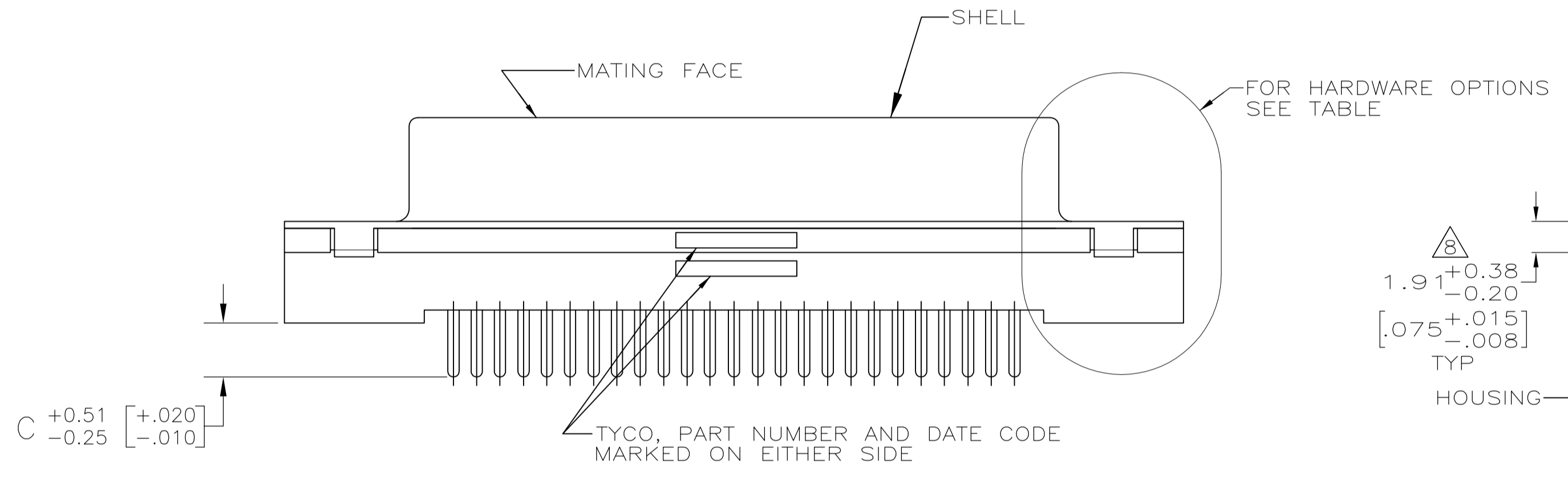
- [Email or Chat With Us](#)
- [Find a Phone Number](#)
- [Knowledge Base](#)
- [Manage Your Account](#)

Keep Me Informed





- △ HOUSING: POLYESTER, UL 94V-0 RATED, BLACK.
SHELL: CARBON STEEL.
CONTACTS: PHOSPHOR BRONZE.
SCREWLOCKS: ZINC.
INSERTS: BRASS.
- △ SHELL: 5.08µm [.000200] MIN TIN OVER 2.54µm [.000100] MIN COPPER.
CONTACTS: SEE TABLE.
SCREWLOCKS: CLEAR CHROMATE.
INSERTS: UNPLATED.
- △ GOLD FLASH FOR A LENGTH OF 2.54[.100] MIN FROM MATING END, 2.54µm [.000100] MIN TIN ON OPPOSITE END, BOTH OVER 1.27µm [.000050] MIN NICKEL.
- △ 0.76µm [.000030] MIN GOLD FOR A LENGTH OF 2.54 [.100] MIN FROM MATING END, 2.54µm [.000100] MIN TIN ON OPPOSITE END, BOTH OVER 1.27µm [.000050] MIN NICKEL.
- △ DATUMS AND BASIC DIMENSIONS ESTABLISHED BY CUSTOMER.
- △ 2.79[.110] MAX IN SHELL TAB CLINCH AREAS.



DETAIL E	△4	4.32 [.170]	1-5745967-6
DETAIL E	△3	4.32 [.170]	1-5745967-5
DETAIL E	△4	3.18 [.125]	1-5745967-4
DETAIL D	△4	4.32 [.170]	1-5745967-0
DETAIL D	△4	3.18 [.125]	5745967-8
DETAIL D	△3	3.18 [.125]	5745967-7
AS SHOWN	△4	4.32 [.170]	5745967-4
AS SHOWN	△4	3.18 [.125]	5745967-2
HARDWARE OPTIONS	CONTACTS FINISH	C	PART NO

RECOMMENDED PC BOARD MOUNTING DIMENSIONS

THIS DRAWING IS A CONTROLLED DOCUMENT.

DIMENSIONS: MM [INCHES] TOLERANCES UNLESS OTHERWISE SPECIFIED: 0 PLC ± - 1 PLC ± - 2 PLC ± .013 [.005] 3 PLC ± - 4 PLC ± - DIMENSIONS ± -	DWN: B. LATTUCA 20SEP05 CHK: S. BOLASH 20SEP05 APVD: M. WALMSLEY 20SEP05 NAME: RECEPTACLE ASSY, SIZE 3, 25 POS, FRONT METAL SHELL, WITH OR WITHOUT SCREWLOCKS OR INSERTS, AMPLIMITE HDP PRODUCT SPEC: 108-40025 APPLICATION SPEC: 114-40023 WEIGHT: - CUSTOMER DRAWING	STC TE Connectivity SIZE: A1 CAGE CODE: 00779 DRAWING NO: 5745967 SCALE: 4:1 SHEET: 1 OF 1 REV: A1
--	---	--