

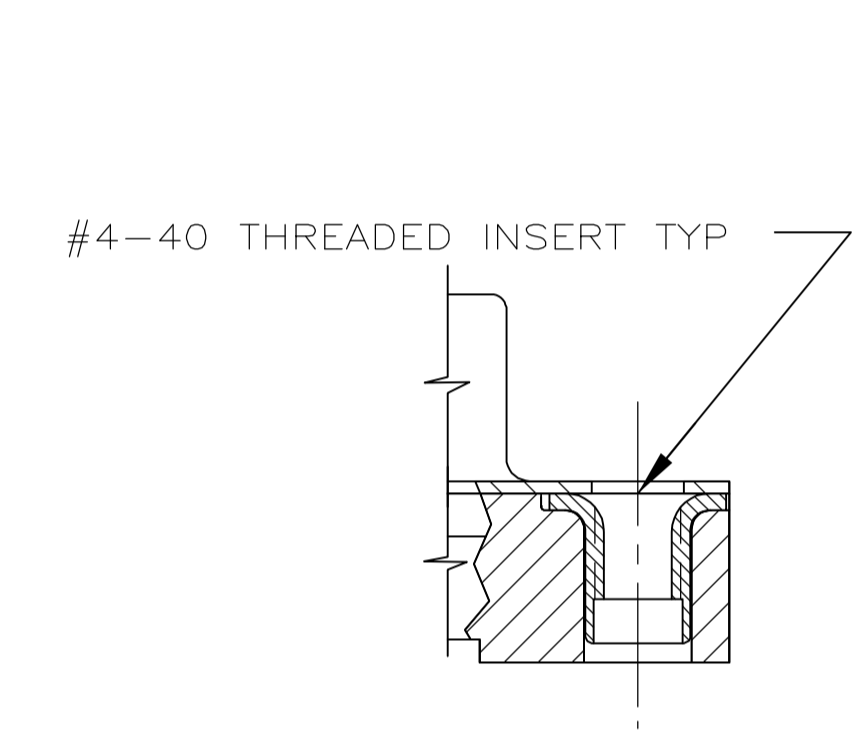
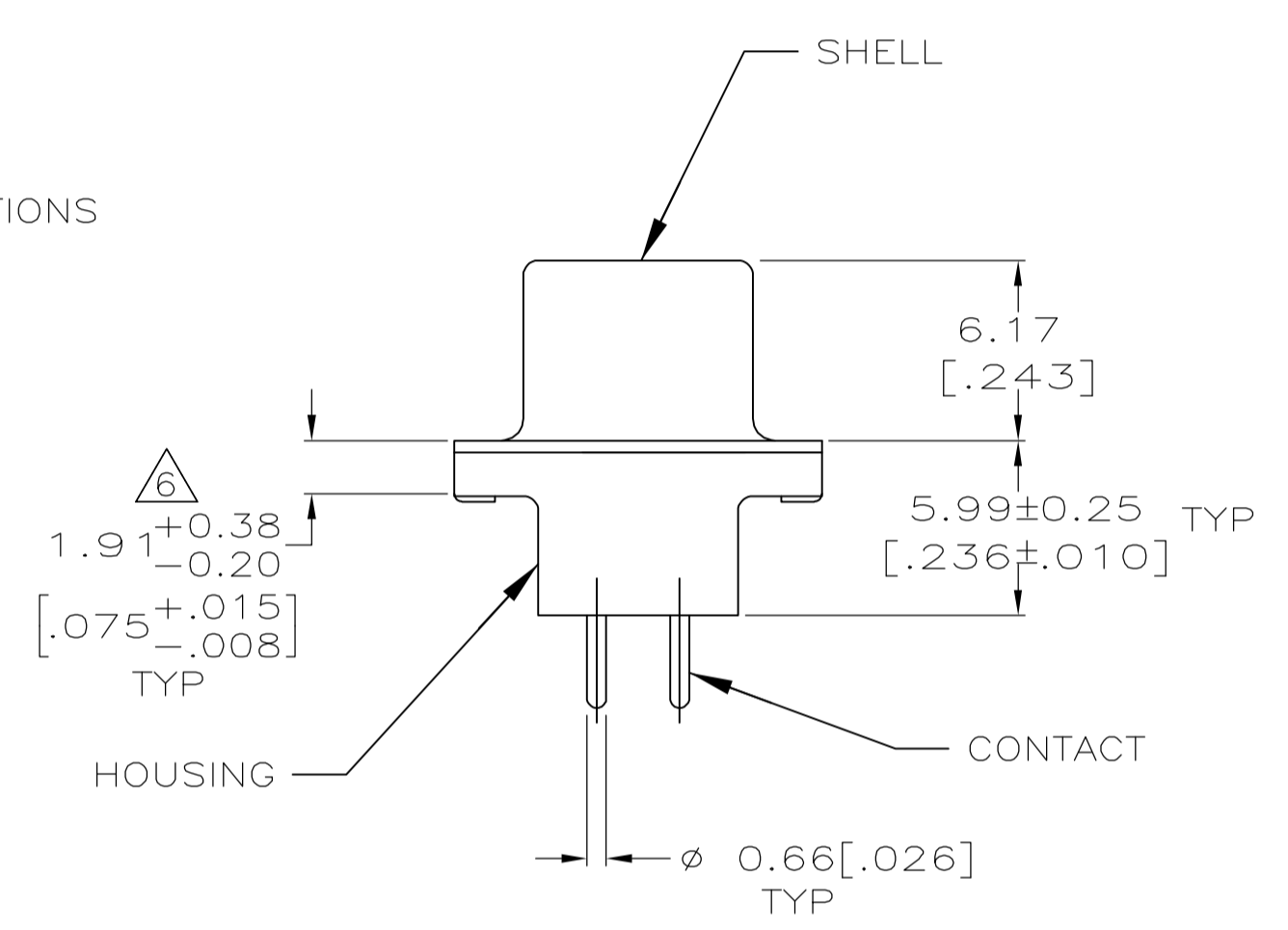
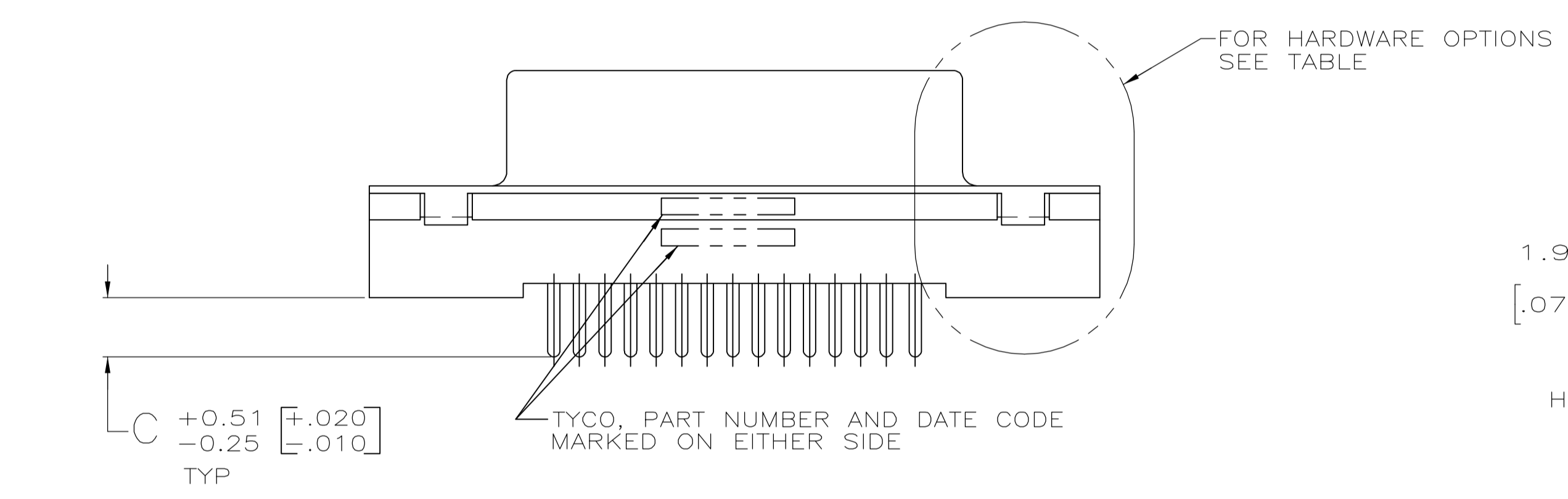
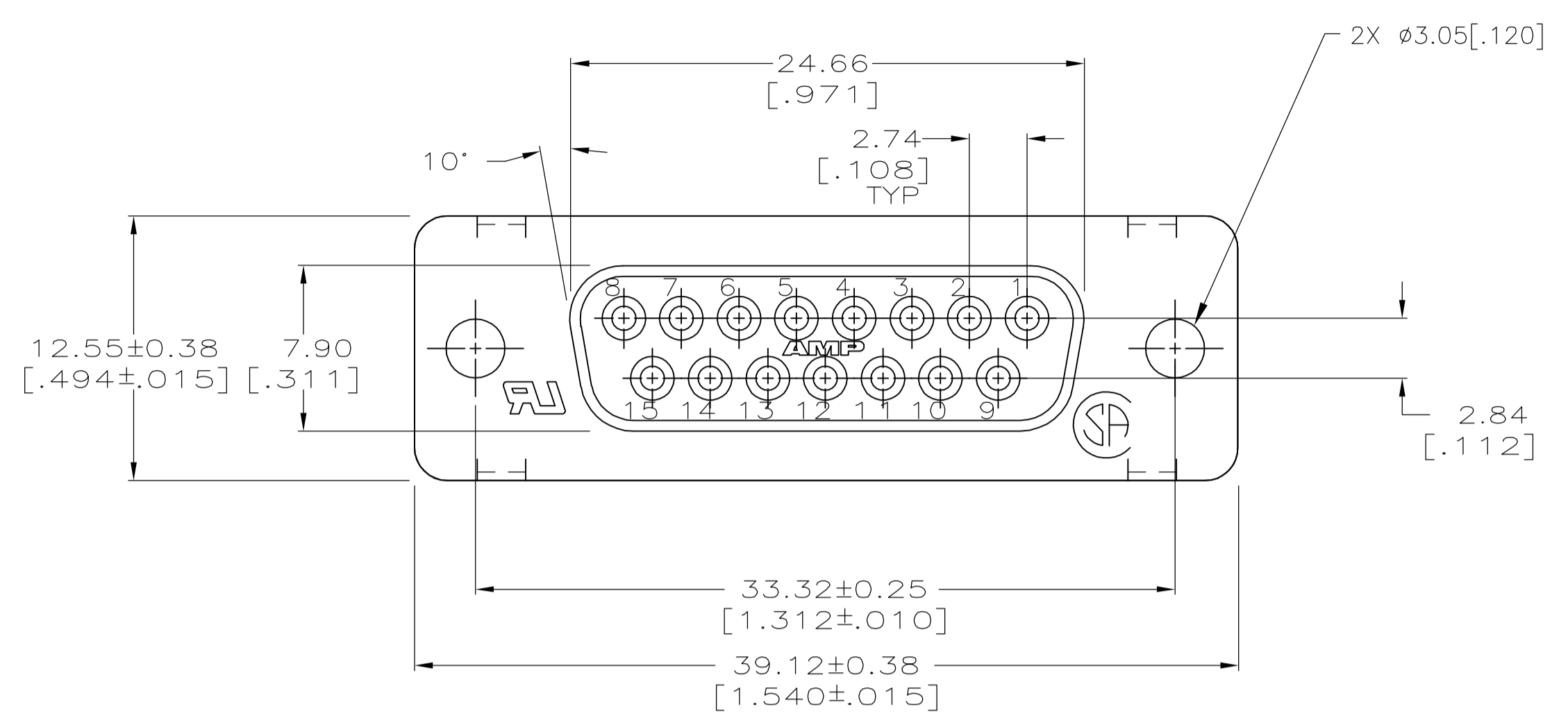
Distributed by:

JAMECO[®]
ELECTRONICS

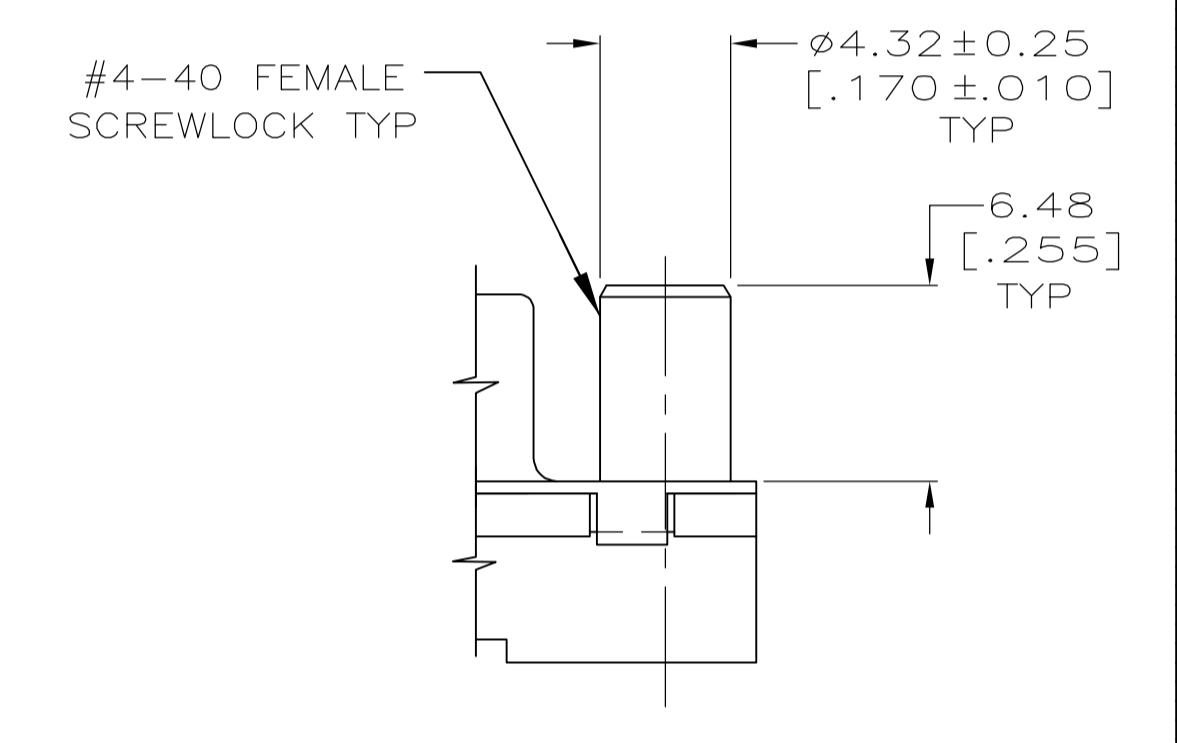
www.Jameco.com ♦ 1-800-831-4242

The content and copyrights of the attached
material are the property of its owner.

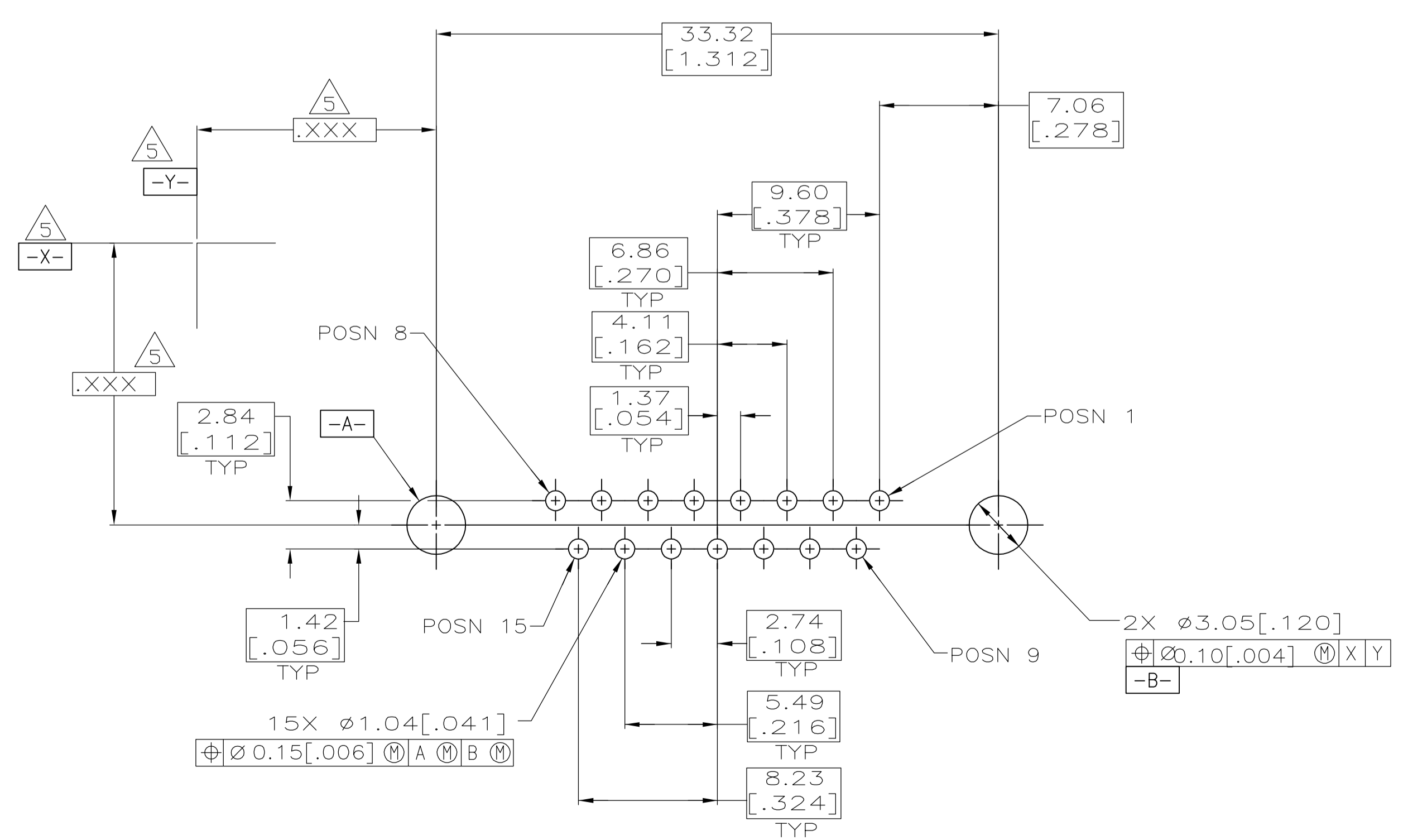
Jameco Part Number 1962404



DETAIL D



DETAIL E



RECOMMENDED PC BOARD MOUNTING DIMENSIONS

- 1 HOUSING: POLYESTER, UL 94V-0 RATED, COLOR BLACK.
SHELL: CARBON STEEL.
CONTACTS: PHOS BRONZE.
INSERTS: BRASS.
SCREWLOCKS: ZINC.
- 2 SHELL: 5.08µm [.000200] MIN TIN OVER 2.54µm [.000100] MIN COPPER.
CONTACTS: SEE TABLE.
INSERTS: UNPLATED.
SCREWLOCKS: CLEAR CHROMATE COATING.
- 3 GOLD FLASH FOR A LENGTH OF 2.54 [.100] MIN FROM MATING END, 2.54µm [.000100] MIN TIN ON BOTH END, BOTH OVER 1.27µm [.000050] MIN NICKEL.
- 4 0.76µm [.000030] MIN GOLD FOR A LENGTH OF 2.54 [.100] MIN FROM MATING END, 2.54µm [.000100] MIN TIN ON OPPOSITE END, BOTH OVER 1.27µm [.000050] MIN NICKEL.
- 5 DATUMS AND BASIC DIMENSIONS ESTABLISHED BY CUSTOMER.
- 6 2.79 [.110] MAX IN SHELL TAB CLINCH AREAS.

OBSOLETE	PER DETAIL E	4	4.32 [.170]	1-5747299-6
	PER DETAIL E	4	3.18 [.125]	1-5747299-4
	PER DETAIL E	3	3.18 [.125]	1-5747299-3
	PER DETAIL D	3	3.18 [.125]	5747299-7
	AS SHOWN	4	4.32 [.170]	5747299-4
		4	3.18 [.125]	5747299-2
HARDWARE OPTIONS	CONTACTS			PART NO
	FINISH		C	

THIS DRAWING IS A CONTROLLED DOCUMENT.		DWG: B. LATTUCA 22SEPT05		Tyco Electronics Corporation Harrisburg, PA 17105-3608	
DIMENSIONS: INCHES		CHK: S. BOLASH 22SEPT05		APPROD: M. WALMSLEY 22SEPT05	NAME: RECEPTACLE ASSEMBLY, SIZE 2, 15 POSITION, FRONT METAL SHELL, WITH OR WITHOUT SCREWLOCKS OR INSERTS, AMPLIMITE HD-20
TOLERANCES UNLESS OTHERWISE SPECIFIED:		PRODUCT SPEC: 108-40025		APPLICATION SPEC: 114-40023	
0 PLC ± - 1 PLC ± - 2 PLC ± 0.13 [.005] 3 PLC ± - 4 PLC ± - ANGLES ± -		SIZE: A1		SCALE: 4:1	
MATERIAL: 1		FINISH: 2		WEIGHT: -	
		CUSTOMER DRAWING		SHEET 1 OF 1	