

## 1-5747299-6 Product Details

[Share](#) [Print](#) [Email](#)



1-5747299-6

TE Internal Number: 1-5747299-6

Active

[View 3D PDF](#)

### Standard Board Mount Connectors

Always EU RoHS/ELV Compliant  
(Statement of Compliance)

### Product Highlights:

- 15 Positions
- Connector Style = Receptacle
- PCB Mounting Orientation = Vertical
- Product Series = HD 20
- With Mating Connector Lock

[View all Features](#)

### Quick Links

- ▶ [Pricing & Availability](#)
- ▶ [Search for Tooling](#)
- ▶ [View Mating Products \(7\)](#)
- ▶ [Product Feature Selector](#)
- ▶ [Contact Us About This Product](#)

[Add to My Part List](#)

[Request Sample](#)

[Find Similar Products](#)

[Buy Product](#)

### Documentation & Additional Information

#### Product Drawings:

- [RECEPTACLE ASSEMBLY, SIZE 2, 15 POSITION, FRONT META... \(PDF, English\)](#)

#### Catalog Pages/Data Sheets:

- [AMPLIMITE Subminiature D Connectors - Straight Poste... \(PDF, English\)](#)

#### Product Specifications:

- [AMPLIMITE HD-20 PCB Mounted Connector \(PDF, English\)](#)

#### Application Specifications:

- [AMPLIMITE HD-20 Straight Solder Contact Tine, Front ... \(PDF, English\)](#)

#### Instruction Sheets:

- None Available

#### CAD Files: (CAD Format & Compression Information)

- [2D Drawing \(DXF, Version B\)](#)
- [3D Model \(IGES, Version B\)](#)
- [3D Model \(STEP, Version B\)](#)

[List all Documents](#)

#### Additional Information:

- [Product Line Information](#)

#### Additional Product Images:

- [Product Photo](#)

#### Related Products:

- [Tooling](#)
- [Mating Products \(7\)](#)

### Product Features (Please use the Product Drawing for all design activity)

#### Product Type Features:

- [PCB Mounting Orientation](#) = Vertical
- [Product Series](#) = HD 20
- [Mating Connector Lock](#) = With
- [Mating Connector Lock Type](#) = Female Screwlocks, Fixed
- [PCB Mount Retention](#) = With
- [PCB Mount Retention Type](#) = Mounting Hole(s)
- [Shell Type](#) = Front Metal Shell
- [Shell Size](#) = 2
- [Grounding Indents](#) = Without
- [Grounding Straps](#) = Without
- [PCB Mount Style](#) = Through Hole
- [Color Code](#) = None
- [Sealed](#) = No
- [Profile](#) = Standard

#### Body Features:

- [Shell Material](#) = Steel
- [Shell Plating](#) = Tin
- [Female Screwlock Material](#) = Zinc

#### Contact Features:

- [Contact Plating, Mating Area, Material](#) = Gold (30)
- [Solder Tail Contact Plating](#) = Tin over Nickel
- [Contact Shape](#) = Round
- [Contact Base Material](#) = Phosphor Bronze

#### Housing Features:

- [Connector Style](#) = Receptacle
- [UL Flammability Rating](#) = UL 94V-0
- [Housing Material](#) = Thermoplastic - GF

- Post Size (mm [in]) = 0.66 [.026]
- Mounting Hole Diameter (mm [in]) = 3.07 [.121]

**Mechanical Attachment:**

- Panel Mount Retention = Without

**Termination Features:**

- Grounding Clips = Without
- Termination Post Length (mm [in]) = 4.32 [0.170]

**Dimensions:**

- PCB Thickness, Recommended (in [mm]) = 0.093 - 0.125 [2.36 - 3.18]

**Configuration Features:**

- Number of Positions = 15

**Industry Standards:**

- RoHS/ELV Compliance = RoHS compliant, ELV compliant
- Lead Free Solder Processes = Wave solder capable to 240°C, Wave solder capable to 260°C, Wave solder capable to 265°C
- RoHS/ELV Compliance History = Always was RoHS compliant

**Operation/Application:**

- Application = Standard

**Other:**

- Brand = AMP
- Comment = All receptacles are preloaded with size 20 DF posted socket contacts

**Corporate Information**

- [About TE](#)
- [Investors](#)
- [News Room](#)
- [Supplier Portal](#)
- [Careers](#)
- [Terms & Conditions](#)
- [Privacy Policy](#)

**Quick Links**

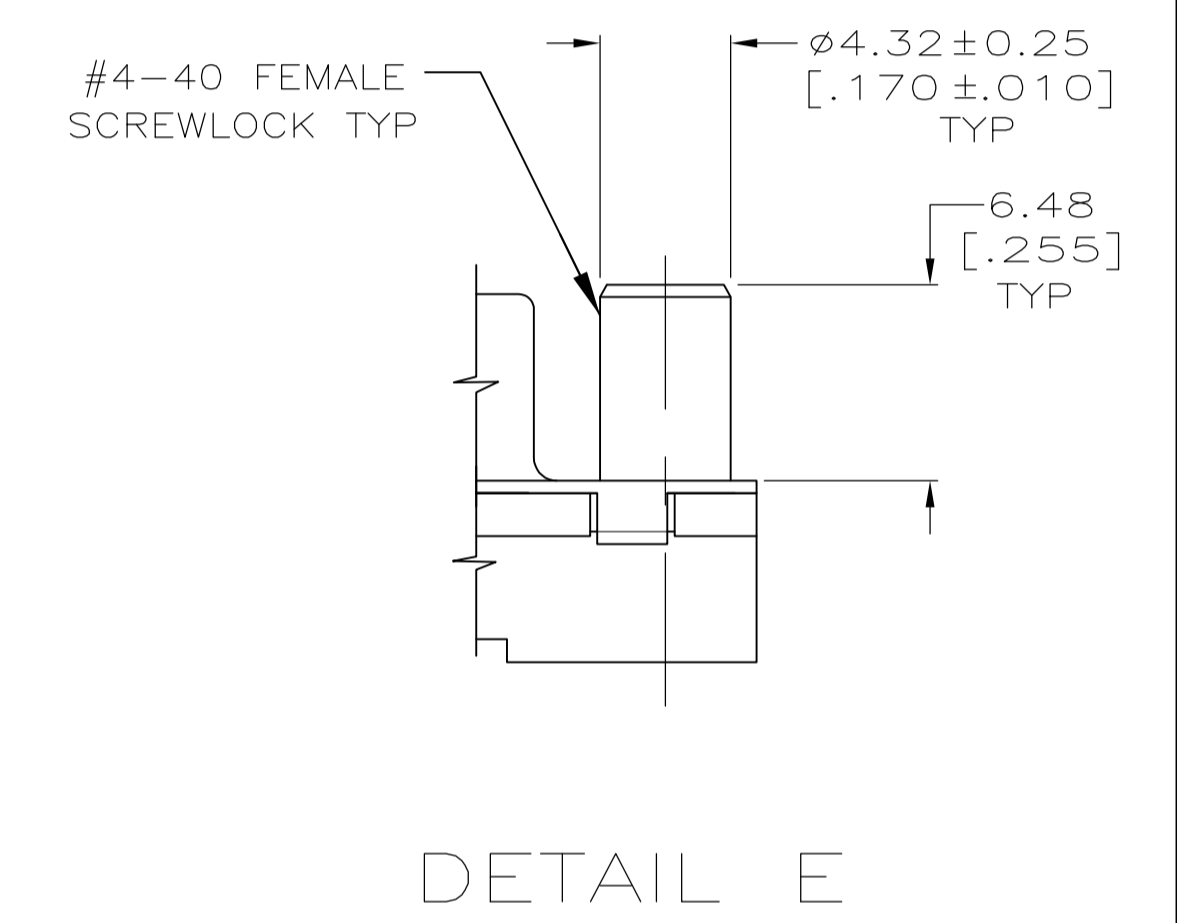
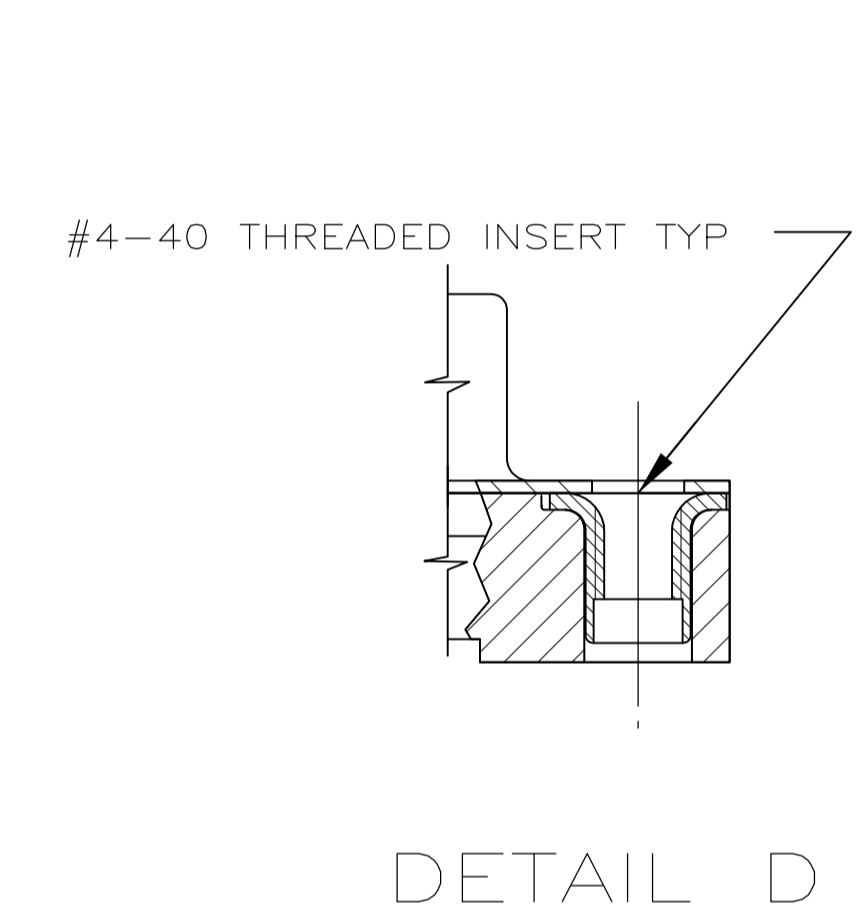
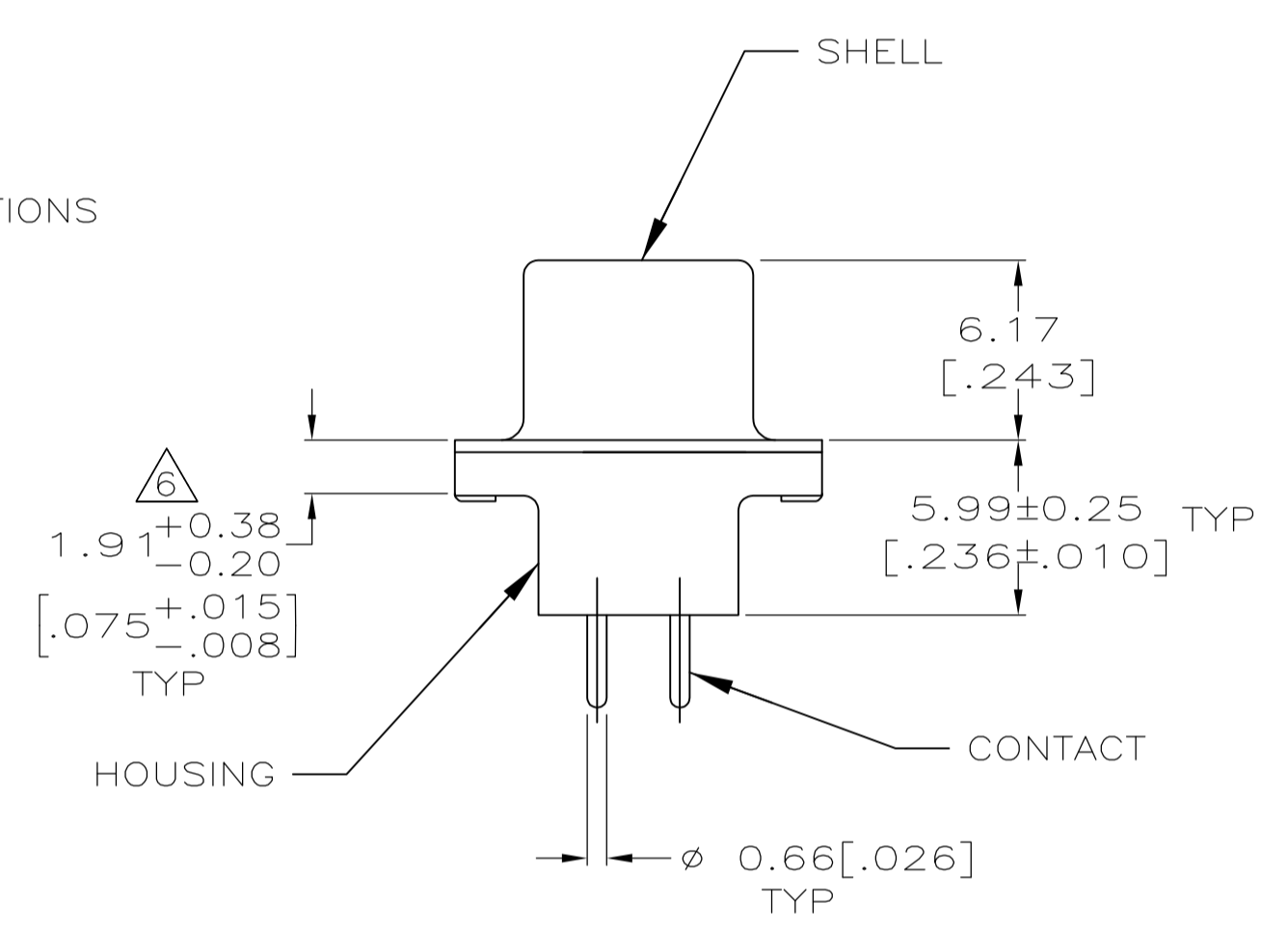
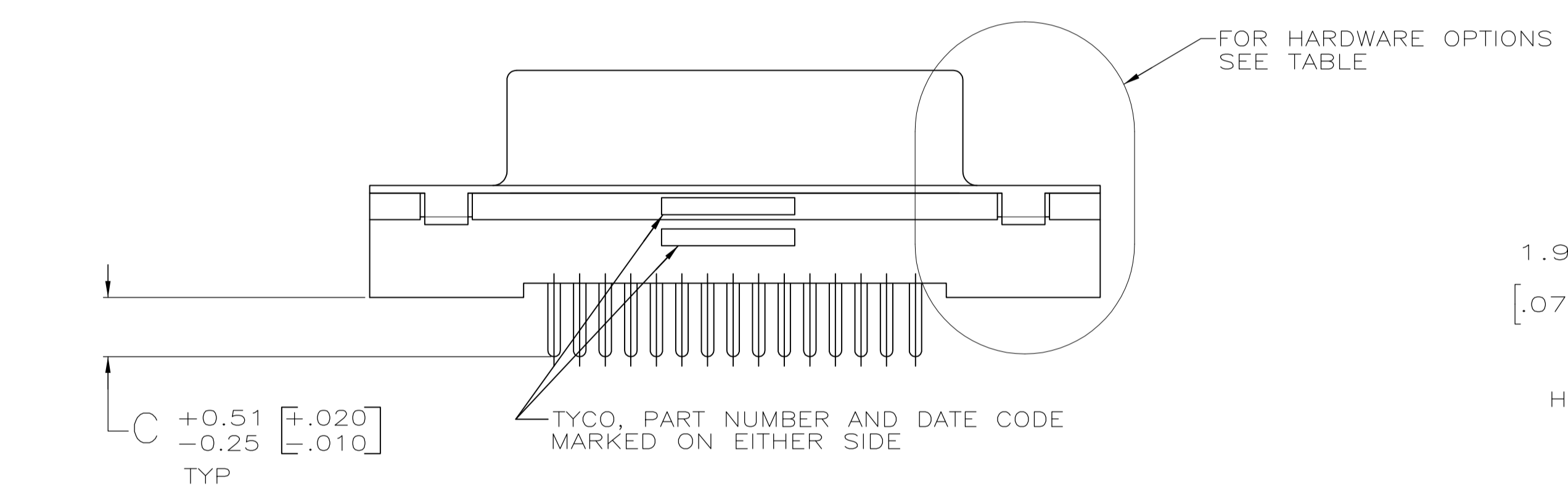
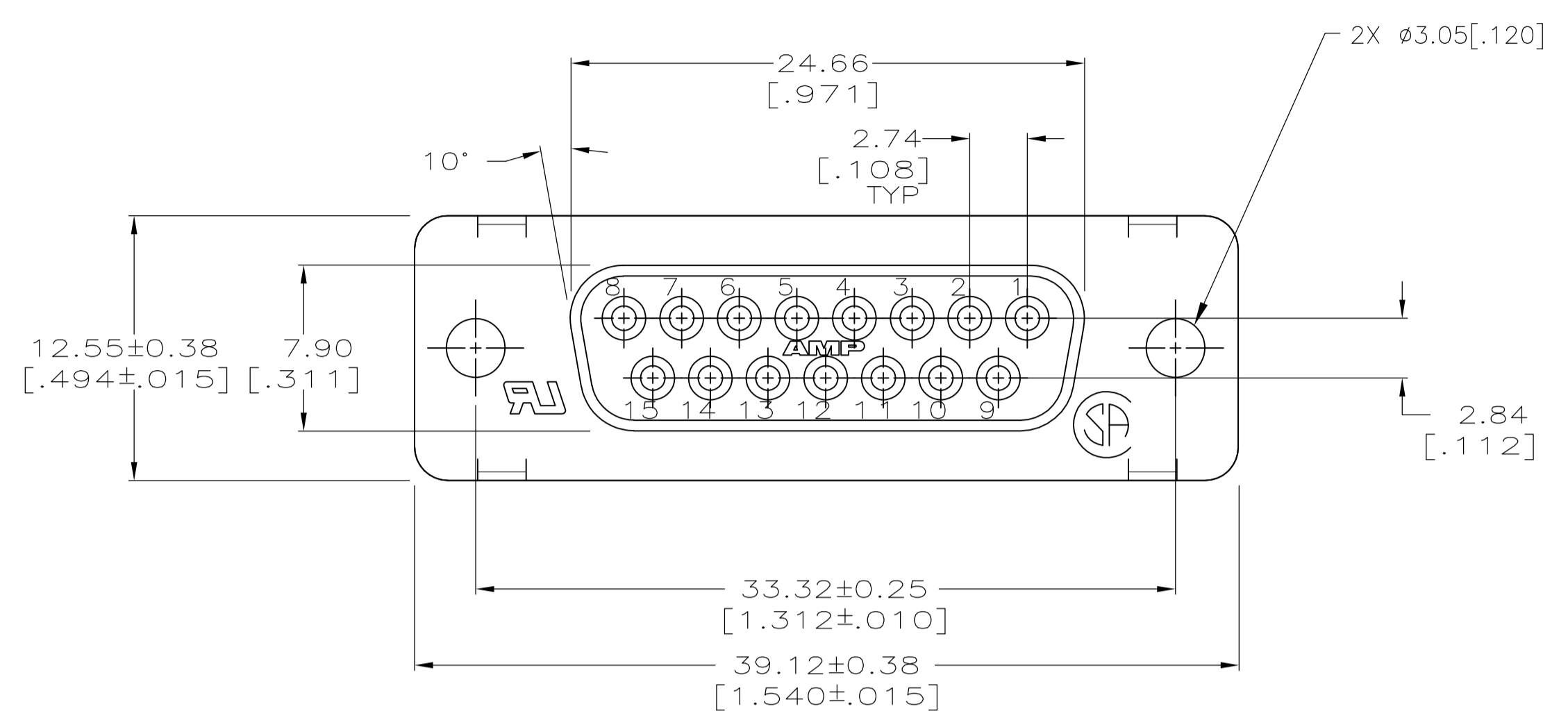
- [Distributor Inventory](#)
- [Product Cross Reference](#)
- [Documents & Drawings](#)
- [Product Compliance Support Center](#)
- [Site Map](#)

**Customer Support**

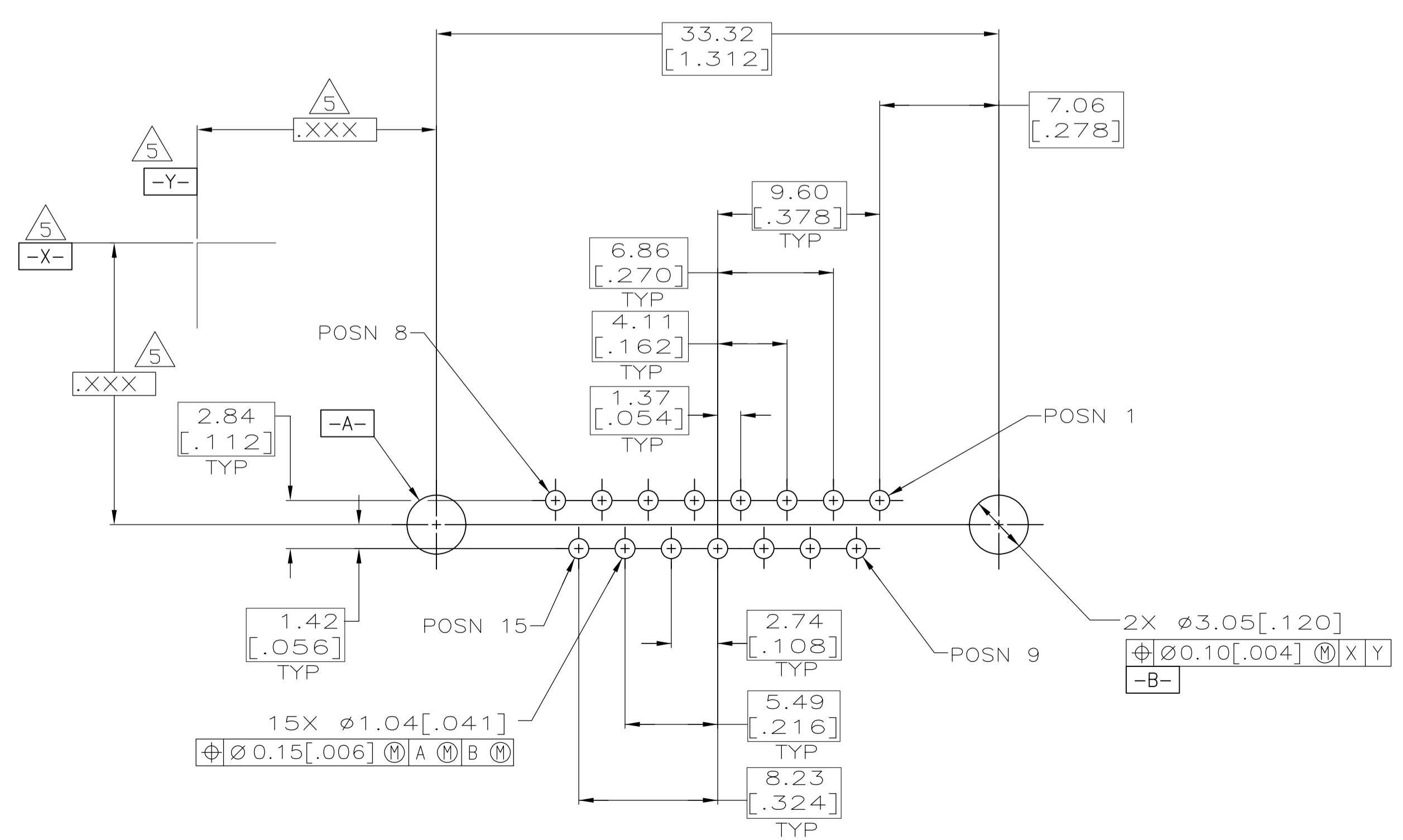
- [Email or Chat With Us](#)
- [Find a Phone Number](#)
- [Knowledge Base](#)
- [Manage Your Account](#)

**Keep Me Informed**





- 1 HOUSING: POLYESTER, UL 94V-0 RATED, COLOR BLACK.  
SHELL: CARBON STEEL.  
CONTACTS: PHOS BRONZE.  
INSERTS: BRASS.  
SCREWLOCKS: ZINC.
- 2 SHELL: 5.08µm [.000200] MIN TIN OVER 2.54µm [.000100] MIN COPPER.  
CONTACTS: SEE TABLE.  
INSERTS: UNPLATED.  
SCREWLOCKS: CLEAR CHROMATE COATING.
- 3 GOLD FLASH FOR A LENGTH OF 2.54 [.100] MIN FROM MATING END, 2.54µm [.000100] MIN TIN ON BOTH END, BOTH OVER 1.27µm [.000050] MIN NICKEL.
- 4 0.76µm [.000030] MIN GOLD FOR A LENGTH OF 2.54 [.100] MIN FROM MATING END, 2.54µm [.000100] MIN TIN ON OPPOSITE END, BOTH OVER 1.27µm [.000050] MIN NICKEL.
- 5 DATUMS AND BASIC DIMENSIONS ESTABLISHED BY CUSTOMER.
- 6 2.79 [.110] MAX IN SHELL TAB CLINCH AREAS.



RECOMMENDED PC BOARD MOUNTING DIMENSIONS

OBSOLETE	PER DETAIL E	4	4.32 [.170]	1-5747299-6
	PER DETAIL E	4	3.18 [.125]	1-5747299-4
	PER DETAIL E	3	3.18 [.125]	1-5747299-3
	PER DETAIL D	3	3.18 [.125]	5747299-7
	AS SHOWN	4	4.32 [.170]	5747299-4
		4	3.18 [.125]	5747299-2
HARDWARE OPTIONS	CONTACTS			PART NO
	FINISH		C	

THIS DRAWING IS A CONTROLLED DOCUMENT.		DIN B. LATTUCA 22SEPT05	TE Connectivity
DIMENSIONS: INCHES		CIK S. BOLASH 22SEPT05	
TOLERANCES UNLESS OTHERWISE SPECIFIED:		APVD M. WALMSLEY 22SEPT05	NAME
0 PLC ± -			RECEPTACLE ASSEMBLY, SIZE 2, 15 POSITION, FRONT METAL SHELL, WITH OR WITHOUT SCREWLOCKS OR INSERTS, AMPLIMITE HD-20
1 PLC ± -			PRODUCT SPEC
2 PLC ± 0.13 [.005]			108-40025
3 PLC ± -			APPLICATION SPEC
4 PLC ± -			114-40023
ANGLES ± -			SIZE
			A1
MATERIAL	FINISH	WEIGHT	SCALE
1	2	00779	4:1
CUSTOMER DRAWING		DRAWING NO	SHEET
		00779	1 of 1
		REV	B1