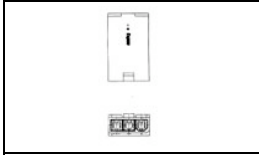


## 1586026-4 Product Details

[Share](#) [Print](#) [Email](#)



**1586026-4**

TE Internal Number: 1586026-4

Active

### VAL-U-LOK Series Connector System

Always EU RoHS/ELV Compliant (Statement of Compliance)

#### Product Highlights:

- Wire-to-Board, Wire-to-Board / Wire-to-Wire, Wire-to-Wire
- Applies To Wire/Cable
- Connector
- Glow Wire Rating = Standard Part - Not Glow Wire
- Housing

[View all Features](#)

### Quick Links

- ▶ [Pricing & Availability](#)
- ▶ [Search for Tooling](#)
- ▶ [View Mating Products \(2\)](#)
- ▶ [Product Feature Selector](#)
- ▶ [Contact Us About This Product](#)

[Add to My Part List](#)

[Request Sample](#)

[Find Similar Products](#)

[Buy Product](#)

### Documentation & Additional Information

#### Product Drawings:

- [RECEPTACLE, SINGLE ROW, VAL-U-LOK\(TM\)](#) (PDF, English)

#### Catalog Pages/Data Sheets:

- [VAL-U-LOK\\_SINGLE\\_ROW\\_HEADERS](#) (PDF, English)
- [SOFT\\_SHELL\\_PIN\\_AND\\_SOCKET\\_CONNECTORS\\_CATALOG](#) (PDF, English)

#### Product Specifications:

- [VAL-U-LOK Connectors](#) (PDF, English)

#### Application Specifications:

- None Available

#### Instruction Sheets:

- None Available

#### CAD Files:

- None Available

#### Related Products:

- [Tooling](#)
- [Mating Products \(2\)](#)

[List all Documents](#)

### Product Features (Please use the Product Drawing for all design activity)

#### Product Type Features:

- Product Type = Connector
- Connector Type = Housing
- Termination Method to Wire/Cable = Crimp
- Sealed = No
- UL File Number = E28476
- CSA File Number = 208567

#### Mechanical Attachment:

- Mating Retention Type = Latching

#### Electrical Characteristics:

- Contact Current Rating, Max. (A) = 9
- Operating Voltage Reference = AC
- Operating Voltage (VAC) = 600

#### Dimensions:

- Length (X-Axis) (mm [in]) = 18.00 [0.7087]
- Width (Z-Axis) (mm [in]) = 19.80 [0.779]
- Profile Height (Y-Axis) (mm [in]) = 7.50 [0.295]

#### Body Features:

- Mating Retention = With
- Selectively Loaded = No

#### Contact Features:

- Contact Type = Socket
- Contact Design = Dual Beam

#### Housing Features:

- Connector Style = Receptacle
- Centerline (mm [in]) = 4.20 [0.165]
- Mating Alignment = With
- Mating Alignment Type = Keyed
- Housing Color = Natural
- UL Flammability Rating = UL 94V-2

#### Configuration Features:

- Number of Positions = 4
- Number of Rows = 1

#### Industry Standards:

- [RoHS/ELV Compliance](#) = RoHS compliant, ELV compliant
- [Lead Free Solder Processes](#) = Not relevant for lead free process
- RoHS/ELV Compliance History = Always was RoHS compliant
- Agency/Standard = CSA, UL
- UL Rating = Recognized

#### Identification Marking:

- Circuit Identification Feature = With

#### Environmental:

- Operating Temperature (°C [°F]) = -40 - +105 [-40 - +221]

#### Conditions for Usage:

- Applies To = Wire/Cable
- Glow Wire Rating = Standard Part - Not Glow Wire

#### Operation/Application:

- Application Use = Wire-to-Board, Wire-to-Board / Wire-to-Wire, Wire-to-Wire
- Contact Transmits (Typical Application) = Signal (Data)
- Pick and Place Cover = Without

#### Packaging Features:

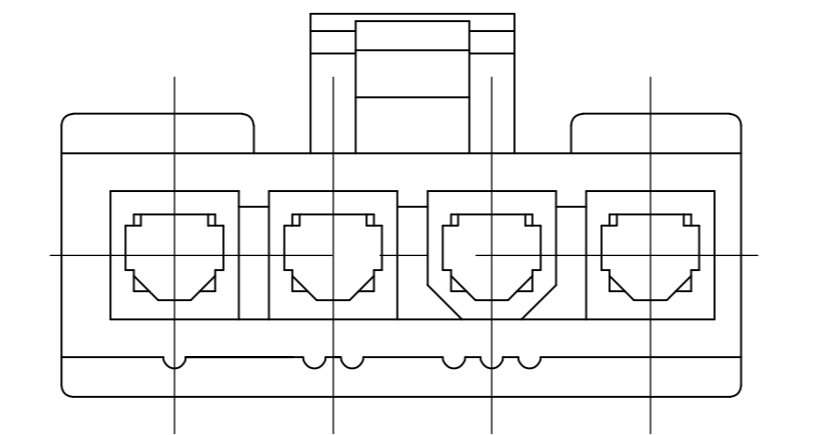
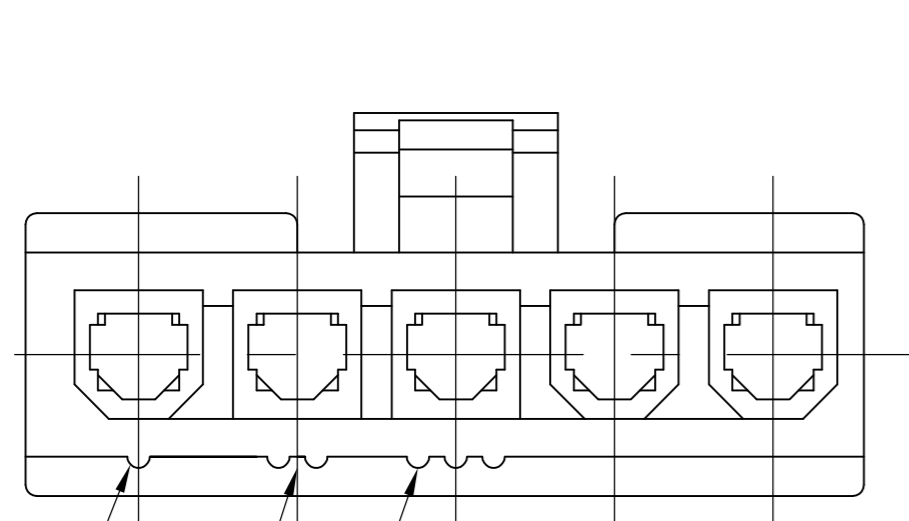
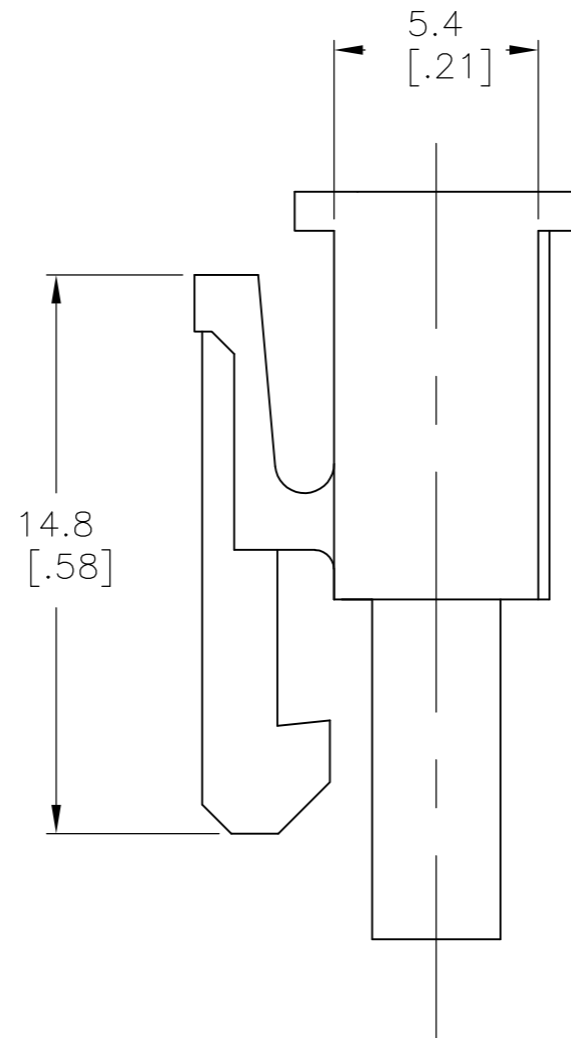
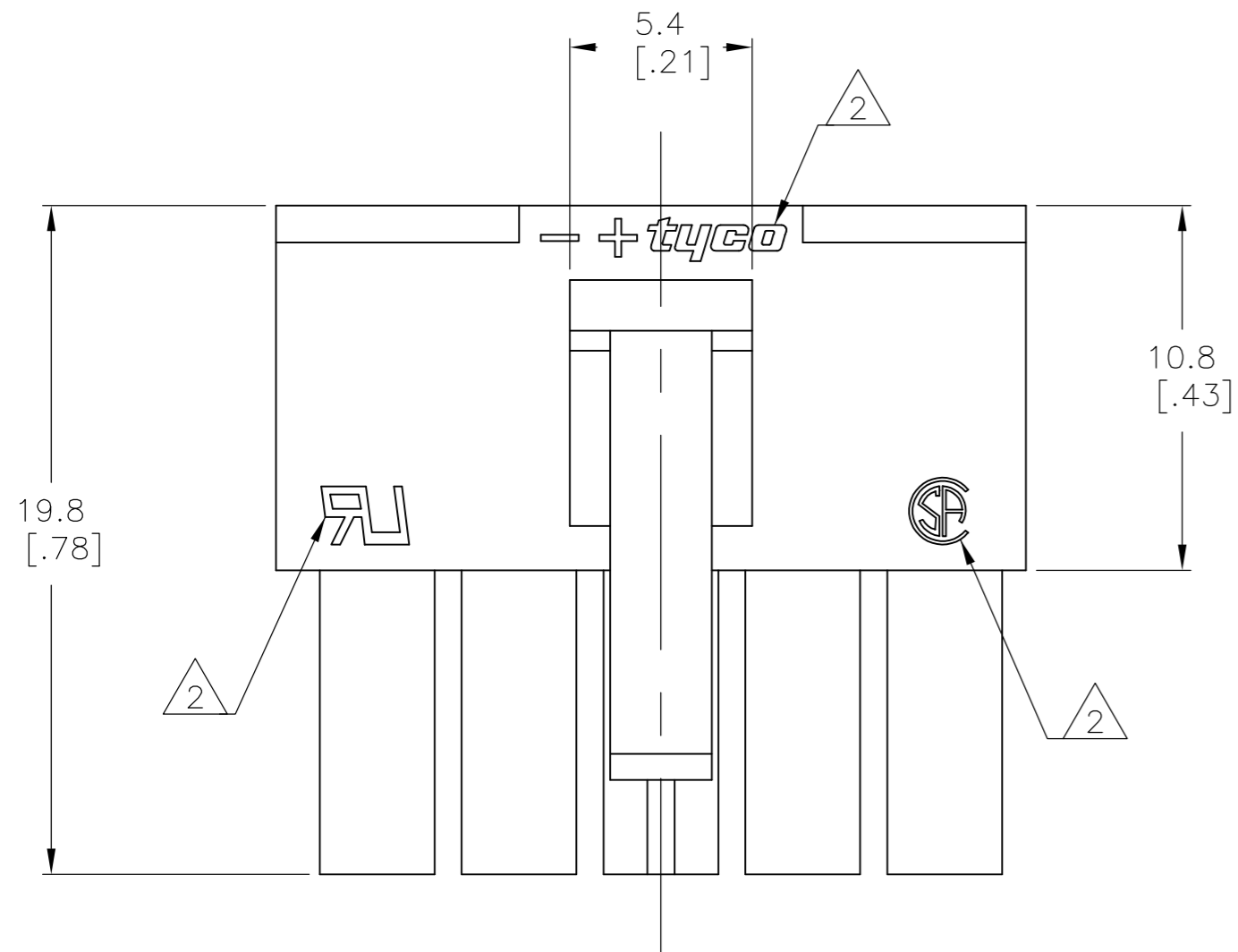
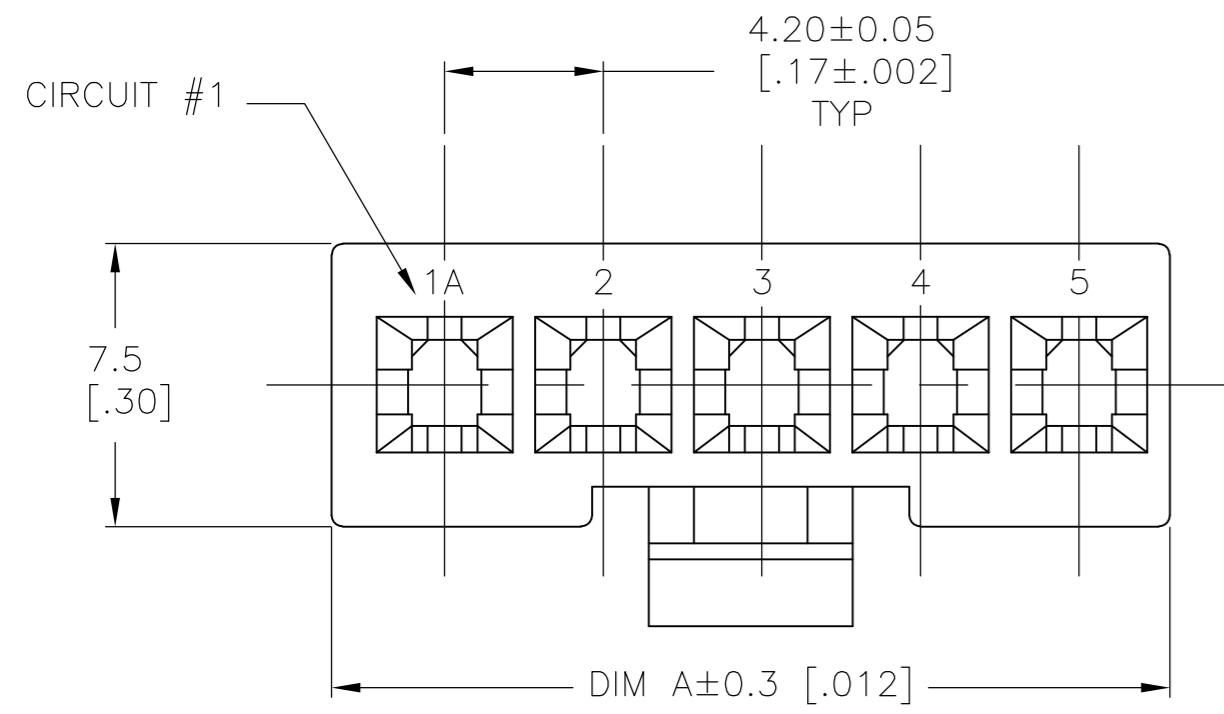
- Packaging Method = Bag

#### Other:

- Brand = AMP

THIS DRAWING IS UNPUBLISHED. RELEASED FOR PUBLICATION  
 © COPYRIGHT BY TYCO ELECTRONICS CORPORATION. ALL RIGHTS RESERVED.

LOC	DIST	REVISIONS					
CM	00	P	LTR	DESCRIPTION	DATE	DWN	APVD
		D		REVISED PER ECO-08-014350	10JUN08	HMR	CC



4 POSITION MATING FACE  
(FOR POLARIZATION IDENTIFICATION)

**METRIC**

- 1 MATERIAL : NYLON 66 UL94V-2
- 2 TE LOGO, UL LOGO, AND CSA LOGO - SIZE, LOCATION, AND ORIENTATION OPTIONAL.

THIS DRAWING IS A CONTROLLED DOCUMENT.		DWN S. HOOVER 08SEP03	Tyco Electronics Corporation Harrisburg, PA 17105-3608	
DIMENSIONS: mm [INCHES]		CHK D. COLEY 08SEP03	NAME RECEPTACLE, SINGLE ROW, VAL-U-LOK(TM)	
TOLERANCES UNLESS OTHERWISE SPECIFIED:		APVD D. COLEY 08SEP03	SIZE A2	CAGE CODE 00779
0 PLC ± -		PRODUCT SPEC -	DRAWING NO C=1586026	RESTRICTED TO -
1 PLC ± 0.2 [.01]		APPLICATION SPEC -	SCALE 5:1	SHEET 1 of 1
2 PLC ± -		WEIGHT -	REV D	
3 PLC ± -		CUSTOMER DRAWING		
4 PLC ± -				
ANGLES ± -				
FINISH -				