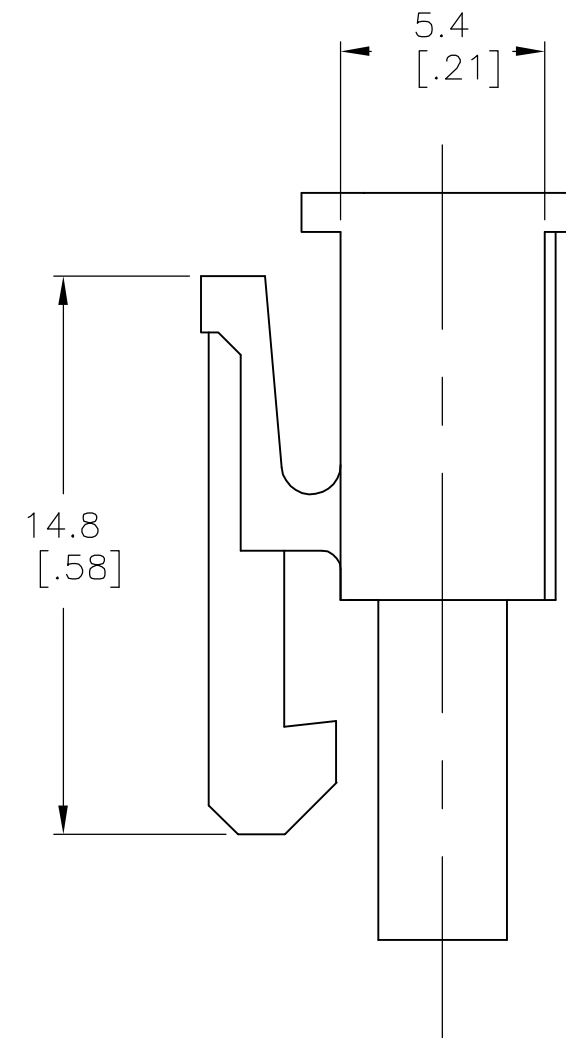
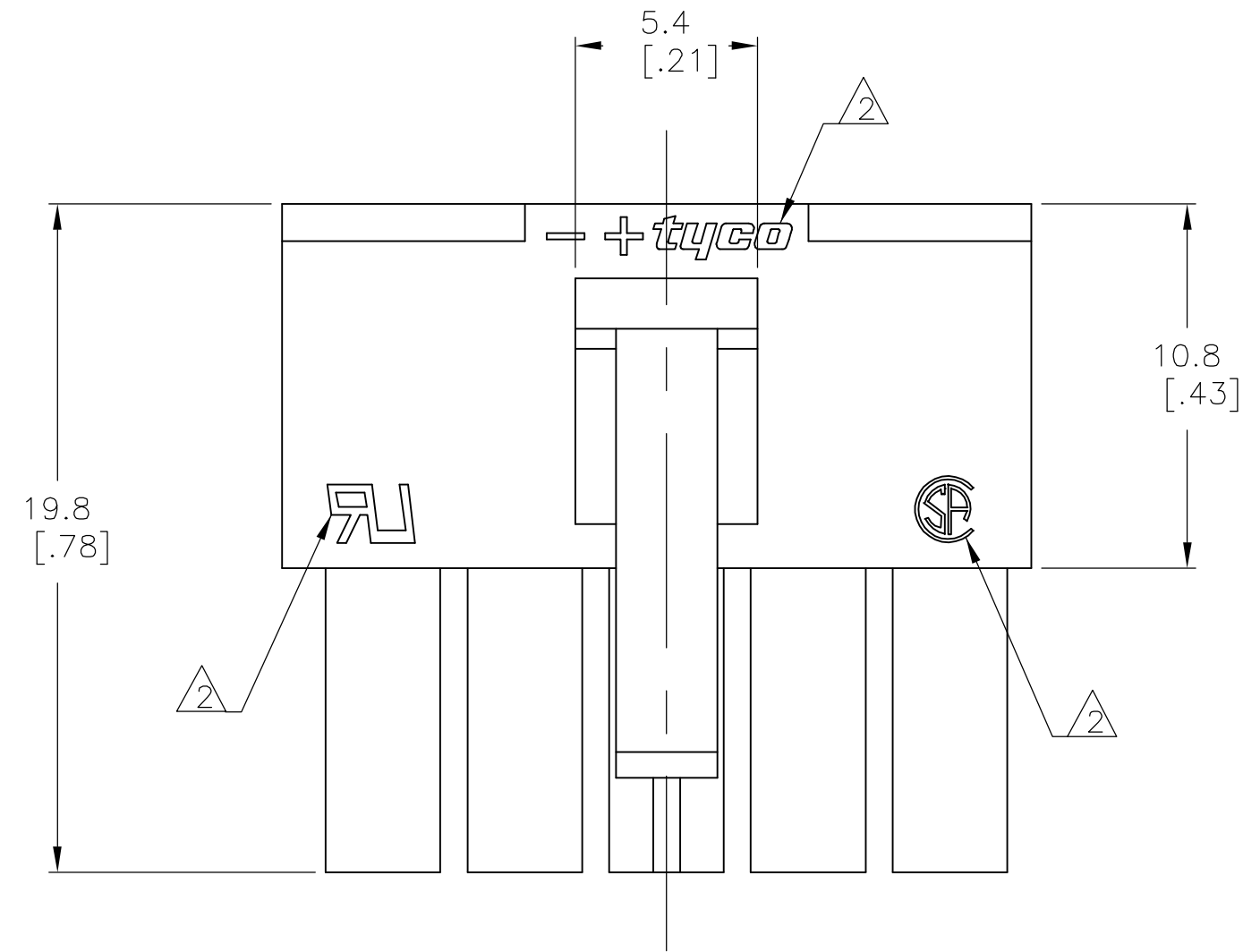
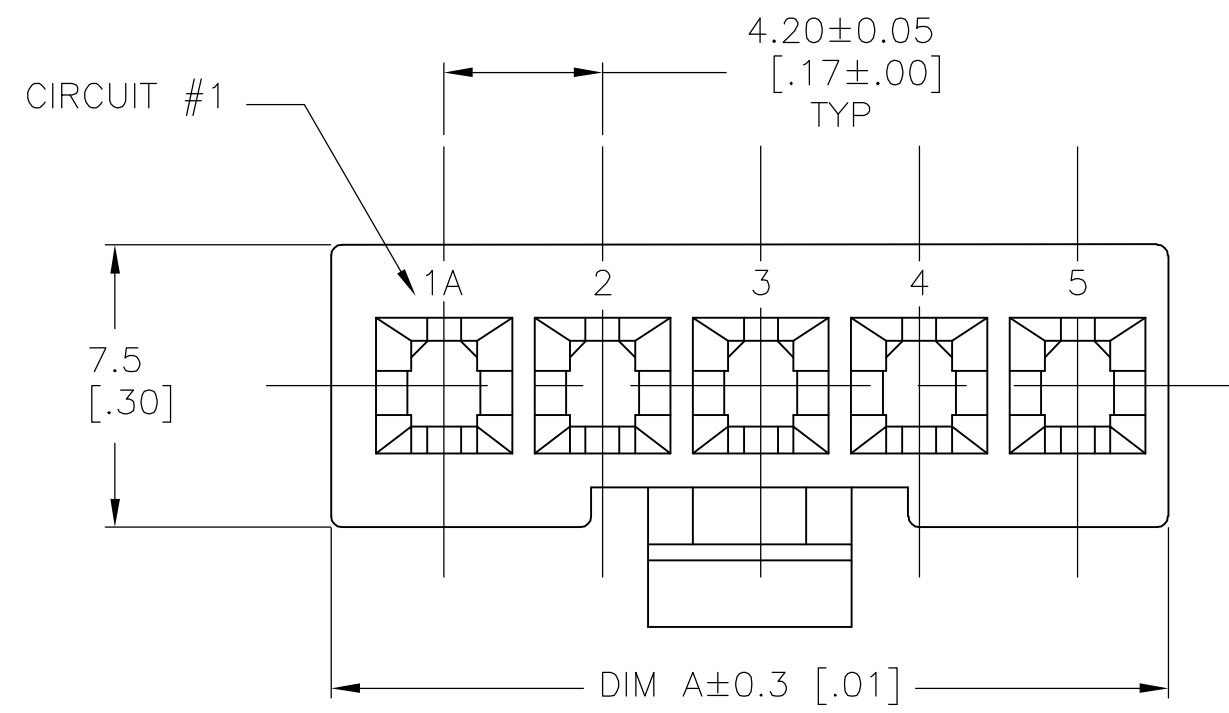
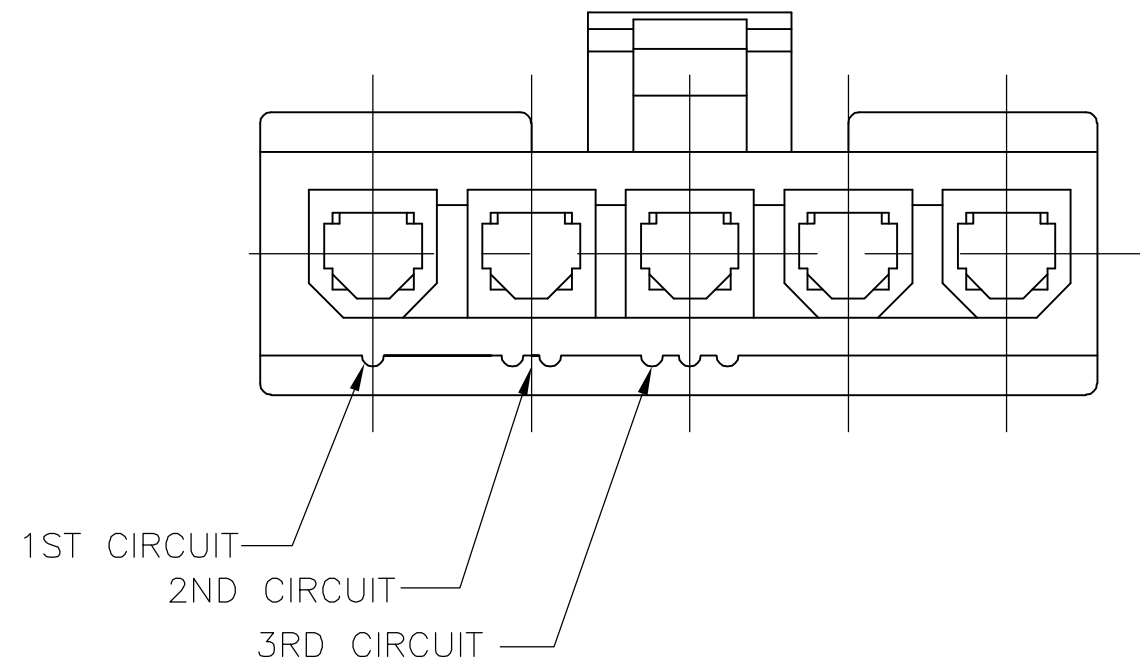


THIS DRAWING IS UNPUBLISHED. RELEASED FOR PUBLICATION  
 © COPYRIGHT BY TYCO ELECTRONICS CORPORATION. ALL RIGHTS RESERVED.

LOC	DIST	REVISIONS			
P	LTR	DESCRIPTION	DATE	DWN	APVD
CM	00	B1	ECO-05-012923	09FEB06	BSV DC



- △1 MATERIAL : NYLON 66 UL94V-2
- △2 TYCO LOGO, UL LOGO, AND CSA LOGO - SIZE, LOCATION, AND ORIENTATION OPTIONAL.



22.2 [.87]	5	1586026-5
18.0 [.71]	4	1586026-4
DIM A	POS	PART NUMBER

THIS DRAWING IS A CONTROLLED DOCUMENT.		DWN S. HOOVER 08SEP03	Tyco Electronics Corporation Harrisburg, PA 17105-3608	
DIMENSIONS: mm [INCHES]		CHK D. COLEY 08SEP03		
TOLERANCES UNLESS OTHERWISE SPECIFIED:		APVD D. COLEY 08SEP03	NAME	
0 PLC ± -		PRODUCT SPEC	RECEPTACLE, SINGLE ROW, 4.2mm	
1 PLC ± 0.2 [.01]		APPLICATION SPEC	SIZE A2	CAGE CODE 00779
2 PLC ± -		WEIGHT -	DRAWING NO C=1586026	RESTRICTED TO -
3 PLC ± -		CUSTOMER DRAWING	SCALE 5:1	SHEET 1 of 1
4 PLC ± -	MATERIAL △1	FINISH -	REV B1	

**METRIC**