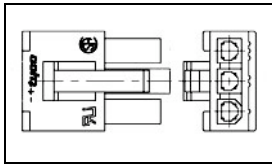


1586027-4 Product Details

[Share](#) [Print](#) [Email](#)



1586027-4

TE Internal Number: 1586027-4

 Active

 [View 3D PDF](#)

VAL-U-LOK Series Connector System

 Always EU RoHS/ELV Compliant (Statement of Compliance)

Product Highlights:

- Wire-to-Board, Wire-to-Board / Wire-to-Wire, Wire-to-Wire
- Applies To Wire/Cable
- Connector
- Glow Wire Rating = Standard Part - Not Glow Wire
- Housing

[View all Features](#)

Quick Links

- ▶ [Pricing & Availability](#)
- ▶ [Search for Tooling](#)
- ▶ [View Mating Products \(2\)](#)
- ▶ [Product Feature Selector](#)
- ▶ [Contact Us About This Product](#)

[Add to My Part List](#)

[Request Sample](#)

[Find Similar Products](#)

[Buy Product](#)

Documentation & Additional Information

Product Drawings:

- [RECEPTACLE, SINGLE ROW, VAL-U-LOK\(TM\)](#) (PDF, English)

Catalog Pages/Data Sheets:

- [VAL-U-LOK_SINGLE_ROW_HEADERS](#) (PDF, English)
- [SOFT_SHELL_PIN_AND_SOCKET_CONNECTORS_CATALOG](#) (PDF, English)

Product Specifications:

- [VAL-U-LOK Connectors](#) (PDF, English)

Application Specifications:

- [VAL-U-LOK Series Headers and Connectors](#) (PDF, English)

Instruction Sheets:

- None Available

CAD Files: [\(CAD Format & Compression Information\)](#)

- [2D Drawing](#) (DXF, Version D)
- [3D Model](#) (IGES, Version D)
- [3D Model](#) (STEP, Version D)

[List all Documents](#)

Related Products:

- [Tooling](#)
- [Mating Products \(2\)](#)

Product Features (Please use the Product Drawing for all design activity)

Product Type Features:

- Product Type = Connector
- Connector Type = Housing
- Sealed = No
- UL File Number = E28476
- CSA File Number = 208567

Mechanical Attachment:

- Mating Retention Type = Latching

Electrical Characteristics:

- Contact Current Rating, Max. (A) = 9
- Operating Voltage Reference = AC
- Operating Voltage (VAC) = 600

Termination Features:

- Termination Method to Wire/Cable = Crimp

Dimensions:

- Length (X-Axis) (mm [in]) = 18.00 [0.7087]
- Width (Z-Axis) (mm [in]) = 19.80 [0.779]
- Profile Height (Y-Axis) (mm [in]) = 7.50 [0.295]

Body Features:

- Mating Retention = With
- Selectively Loaded = No

Contact Features:

- Contact Type = Socket
- Contact Design = Dual Beam

Configuration Features:

- Number of Positions = 4
- Number of Rows = 1

Industry Standards:

- [RoHS/ELV Compliance](#) = RoHS compliant, ELV compliant
- [Lead Free Solder Processes](#) = Not relevant for lead free process
- RoHS/ELV Compliance History = Always was RoHS compliant
- Agency/Standard = CSA, UL
- UL Rating = Recognized

Identification Marking:

- Circuit Identification Feature = With

Environmental:

- Operating Temperature (°C [°F]) = -40 - +105 [-40 - +221]

Conditions for Usage:

- Applies To = Wire/Cable
- Glow Wire Rating = Standard Part - Not Glow Wire

Operation/Application:

- Application Use = Wire-to-Board, Wire-to-Board / Wire-to-Wire, Wire-to-Wire
- Contact Transmits (Typical Application) = Signal (Data)
- Pick and Place Cover = Without

Packaging Features:

- Packaging Method = Bag

Other:

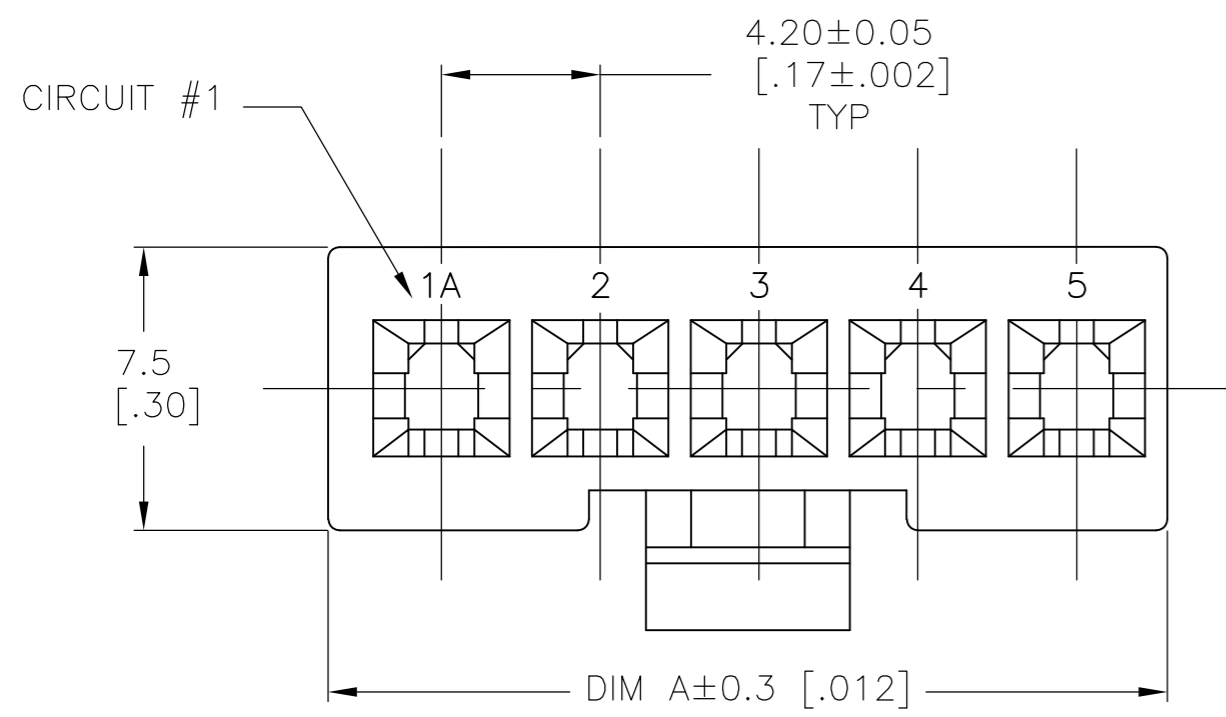
- Brand = AMP

Housing Features:

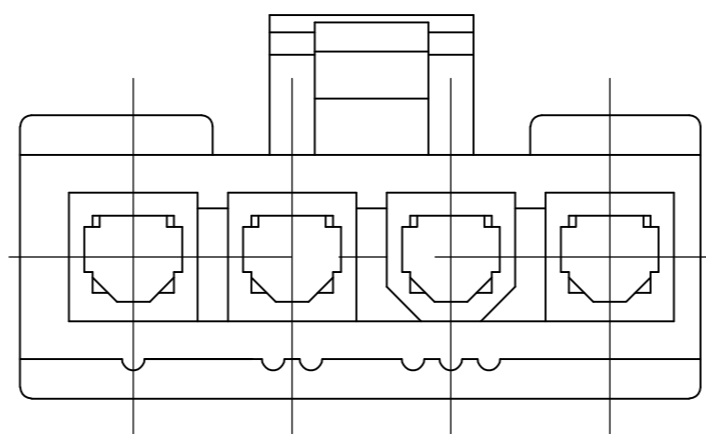
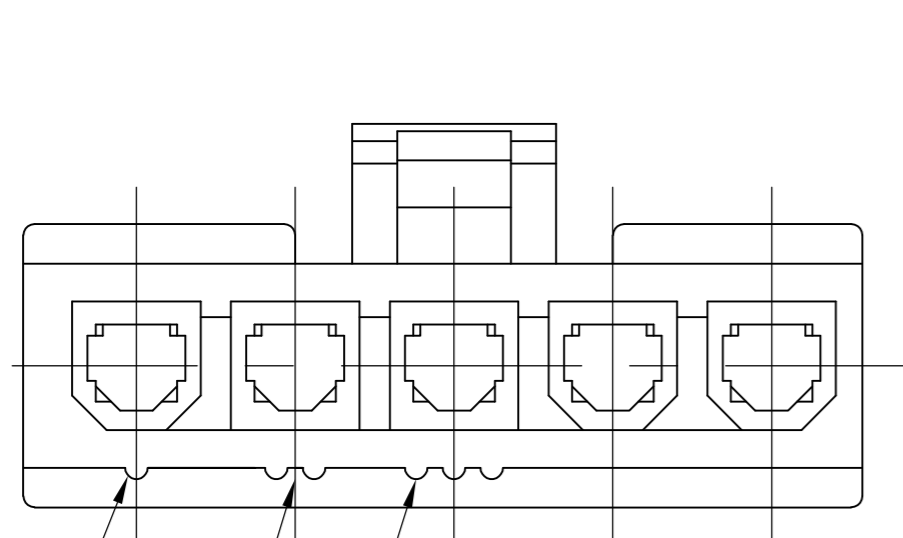
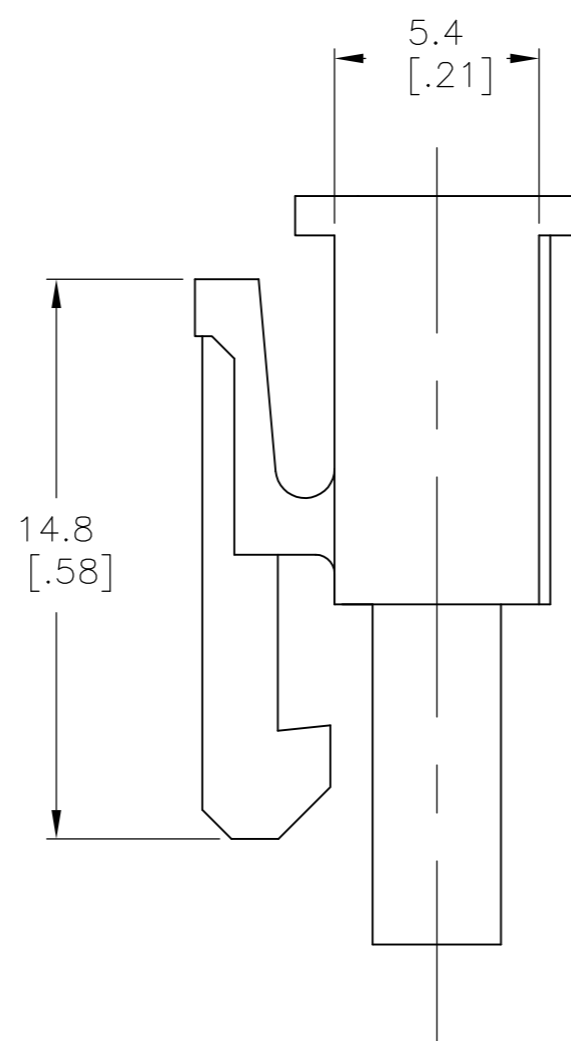
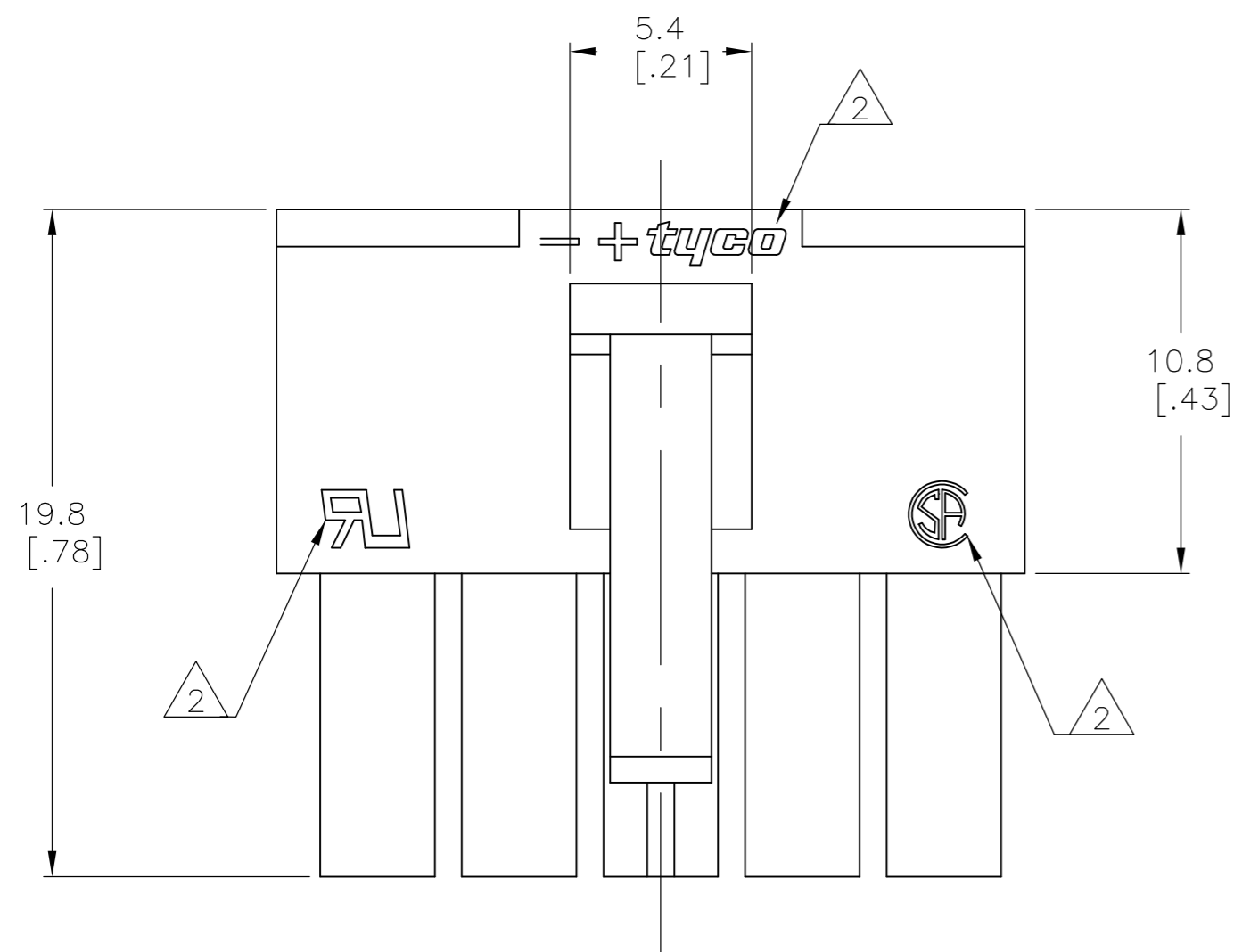
- Connector Style = Receptacle
- Centerline (mm [in]) = 4.20 [0.165]
- Mating Alignment = With
- Mating Alignment Type = Keyed
- Housing Color = Natural
- UL Flammability Rating = UL 94V-0

THIS DRAWING IS UNPUBLISHED. RELEASED FOR PUBLICATION
 © COPYRIGHT BY TYCO ELECTRONICS CORPORATION. ALL INTERNATIONAL RIGHTS RESERVED.

LOC		DIST		REVISIONS			
P	LTR	DESCRIPTION	DATE	DWN	APVD		
CM	00	E	REVISED PER ECO-08-031188	06JAN09	HMR	CC	



- 1 MATERIAL : NYLON 66 UL94V-0
- 2 TE LOGO, UL LOGO, AND CSA LOGO-SIZE, LOCATION, AND ORIENTATION OPTIONAL.



4 POSITION MATING FACE
(FOR POLARIZATION IDENTIFICATION)

SUPERCEDED BY 2029208-4	BLACK	18.0 [.71]	4	1-1586027-9
	WHITE	22.2 [.87]	5	1586027-5
	WHITE	18.0 [.71]	4	1586027-4
	COLOR	DIM A	POS	PART NUMBER

THIS DRAWING IS A CONTROLLED DOCUMENT.		DWN K.WHITAKER 09DEC03	Tyco Electronics Corporation Harrisburg, PA 17105-3608	
DIMENSIONS: mm [INCHES]		CHK D. COLEY 09DEC03	NAME	
TOLERANCES UNLESS OTHERWISE SPECIFIED:		APVD D. COLEY 09DEC03	RECEPTACLE, SINGLE ROW, VAL-U-LOK(TM)	
0 PLC ± -		PRODUCT SPEC	SIZE A2	CAGE CODE 00779
1 PLC ± 0.2 [.01]		APPLICATION SPEC	DRAWING NO C=1586027	RESTRICTED TO -
2 PLC ± -		WEIGHT -	SCALE 5:1	SHEET 1 of 1
3 PLC ± -		CUSTOMER DRAWING	REV E	
4 PLC ± -				
ANGLES ± -				
FINISH -				

METRIC