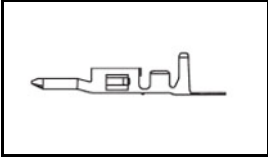


## 1586314-1 Product Details

[Share](#) [Print](#) [Email](#)




**1586314-1**

TE Internal Number: 1586314-1

 Active

[View 3D PDF](#)

### VAL-U-LOK Series Connector System

 Always EU RoHS/ELV Compliant  
(Statement of Compliance)

#### Product Highlights:

- Wire-to-Wire
- Applies To Wire/Cable
- Contact
- Glow Wire Rating = Standard Part - Not Glow Wire
- Contact Type = Pin

[View all Features](#)

### Quick Links

- ▶ [Pricing & Availability](#)
- ▶ [Search for Tooling](#)
- ▶ [Product Feature Selector](#)
- ▶ [Contact Us About This Product](#)

[Add to My Part List](#)

[Request Sample](#)

[Find Similar Products](#)

[Buy Product](#)

### Documentation & Additional Information

#### Product Drawings:

- [TERMINAL LOOSE PIECE, PIN VAL-U-LOK\(TM\)](#) (PDF, English)

#### Catalog Pages/Data Sheets:

- [SOFT\\_SHELL\\_PIN\\_AND\\_SOCKET\\_CONNECTORS\\_CATALOG](#) (PDF, English)

#### Product Specifications:

- [VAL-U-LOK Connectors](#) (PDF, English)

#### Application Specifications:

- [VAL-U-LOK Series Headers and Connectors](#) (PDF, English)

#### Instruction Sheets:

- None Available

#### CAD Files: (CAD Format & Compression Information)

- [2D Drawing](#) (DXF, Version C)
- [3D Model](#) (IGES, Version C)
- [3D Model](#) (STEP, Version C)

[List all Documents](#)

#### Related Products:

- [Tooling](#)

### Product Features (Please use the Product Drawing for all design activity)

#### Product Type Features:

- Product Type = Contact
- Termination Method to Wire/Cable = Crimp
- Strain Relief = With
- UL File Number = E28476
- CSA File Number = 208567

#### Electrical Characteristics:

- Contact Current Rating, Max. (A) = 9
- Operating Voltage Reference = AC
- Operating Voltage (VAC) = 600

#### Termination Features:

- Wire/Cable Size (AWG) = 18 - 24
- Wire/Cable Size (mm<sup>2</sup>) = 0.2 - 0.8

#### Dimensions:

#### Industry Standards:

- [RoHS/ELV Compliance](#) = RoHS compliant, ELV compliant
- [Lead Free Solder Processes](#) = Not relevant for lead free process
- [RoHS/ELV Compliance History](#) = Always was RoHS compliant
- Agency/Standard = CSA, UL
- UL Rating = Recognized

#### Environmental:

- Operating Temperature (°C [°F]) = -40 - +105 [-40 - +221]

#### Conditions for Usage:

- Applies To = Wire/Cable
- Glow Wire Rating = Standard Part - Not Glow Wire

- Length (X-Axis) (mm [in]) = 16.80 [0.6614]

**Body Features:**

- Strain Relief Type = Insulation Crimp

**Contact Features:**

- Contact Type = Pin
- Contact Base Material = Brass
- Contact Plating, Mating Area, Material = Pre-Tin
- Contact Plating, Mating Area, Thickness ( $\mu\text{m}$  [ $\mu\text{in}$ ]) = 2.54 [100]
- Contact Design = Formed Pin

**Operation/Application:**

- Application Use = Wire-to-Wire
- Contact Transmits (Typical Application) = Signal (Data)

**Packaging Features:**

- Packaging Method = Loose Piece

**Other:**

- Brand = AMP

---

**Corporate Information**

[About TE](#)  
[Investors](#)  
[News Room](#)  
[Supplier Portal](#)  
[Careers](#)  
[Terms & Conditions](#)  
[Privacy Policy](#)

**Quick Links**

[Distributor Inventory](#)  
[Product Cross Reference](#)  
[Documents & Drawings](#)  
[Product Compliance Support Center](#)  
[Site Map](#)

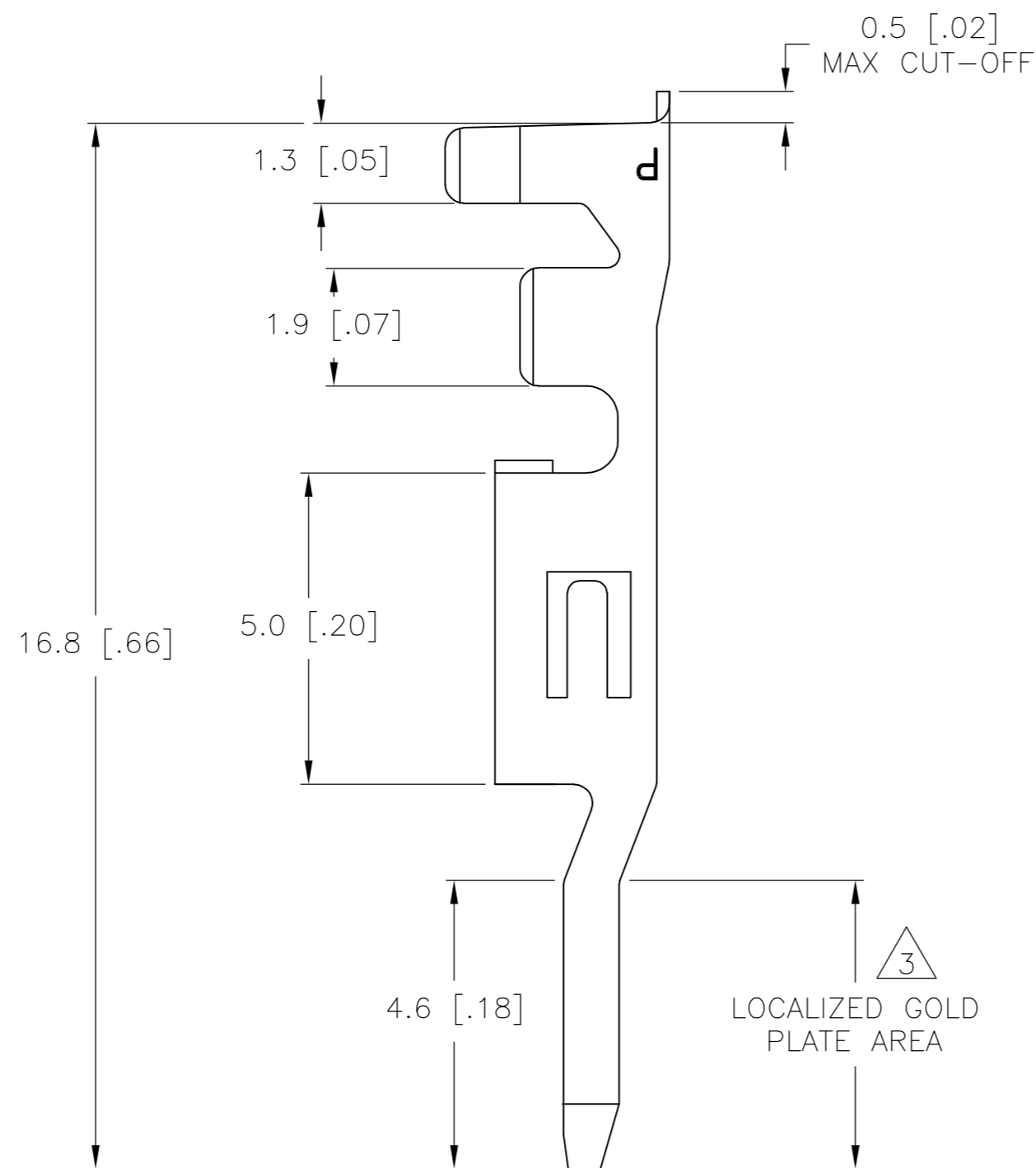
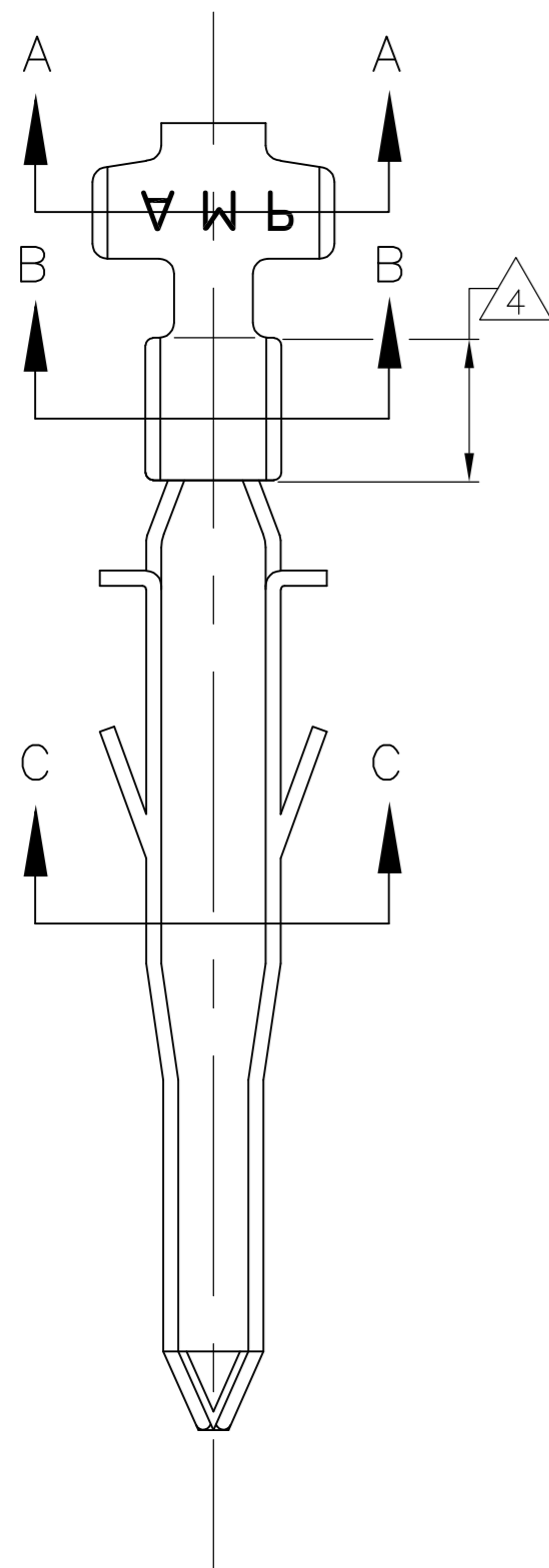
**Customer Support**

[Email or Chat With Us](#)  
[Find a Phone Number](#)  
[Knowledge Base](#)  
[Manage Your Account](#)

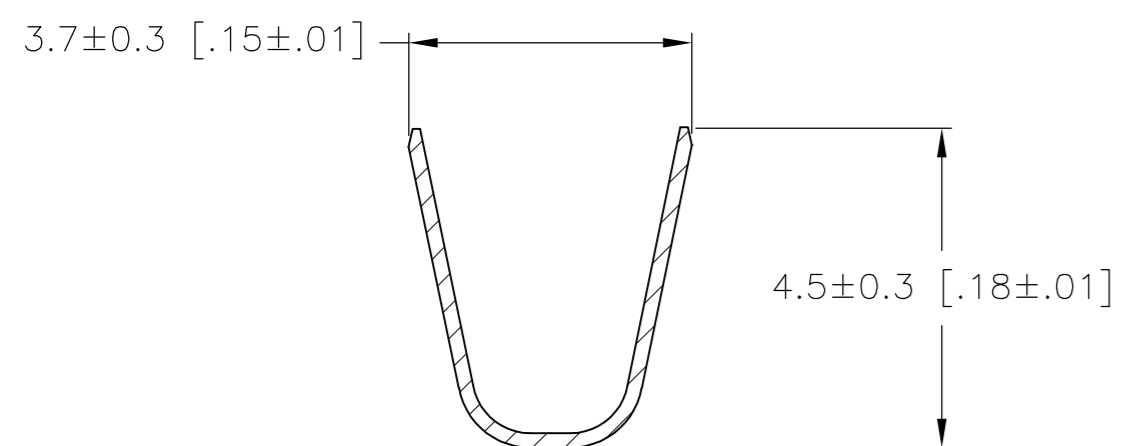
**Keep Me Informed**

THIS DRAWING IS UNPUBLISHED. RELEASED FOR PUBLICATION  
 © COPYRIGHT - By - ALL RIGHTS RESERVED.

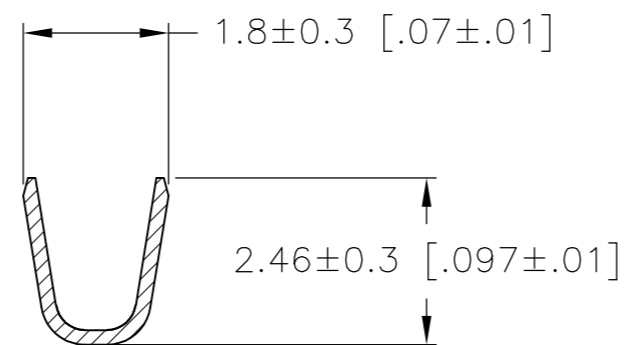
LOC	DIST	REVISIONS					
CM	00	P	LTR	DESCRIPTION	DATE	DWN	APVD
		C1		REVISED PER ECO-11-004917	11MAR11	RK	HMR



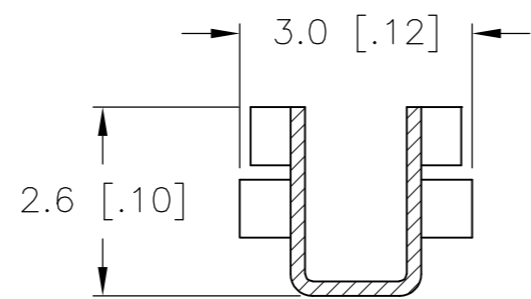
- 1 WIRE RANGE: 0.2-0.8mm<sup>2</sup> (24-18 AWG).
- 2 INSULATION RANGE: 1.50-2.40 DIA.
- 3 FINISH: 0.76µm MINIMUM GOLD IN LOCALIZED GOLD PLATE AREA OVER 1.27µm MINIMUM NICKEL
- 4 FINISH: 2.54µm MINIMUM TIN IN LOCALIZED TIN PLATE AREA.



SECTION A-A



SECTION B-B



SECTION C-C

3 4	PHOS. BRZ.	1586314-4
PRE-TIN	PHOS. BRZ.	1586314-3
3 4	BRASS	1586314-2
PRE-TIN	BRASS	1586314-1
FINISH:	MATERIAL:	PART NO.

THIS DRAWING IS A CONTROLLED DOCUMENT.		DWN	14-OCT-2003	TE Connectivity			
DIMENSIONS: mm [INCHES]		S. HOOVER	14-OCT-2003				
TOLERANCES UNLESS OTHERWISE SPECIFIED:		CHK	D. COLEY				
0 PLC ±		APVD	D. COLEY				
1 PLC ± 0.3 [.01]		PRODUCT SPEC	14-OCT-2003				
2 PLC ± 0.15 [.006]		APPLICATION SPEC		NAME			
3 PLC ± 0.050 [.0020]		MATERIAL		TERMINAL LOOSE PIECE, PIN VAL-U-LOK(TM)			
4 PLC ±		FINISH		SIZE	CAGE CODE	DRAWING NO	RESTRICTED TO
ANGLES ±		WEIGHT		A2	00779	C=1586314	-
MATERIAL		CUSTOMER DRAWING		SCALE	SHEET	REV	
				10:1	1 of 1	C1	