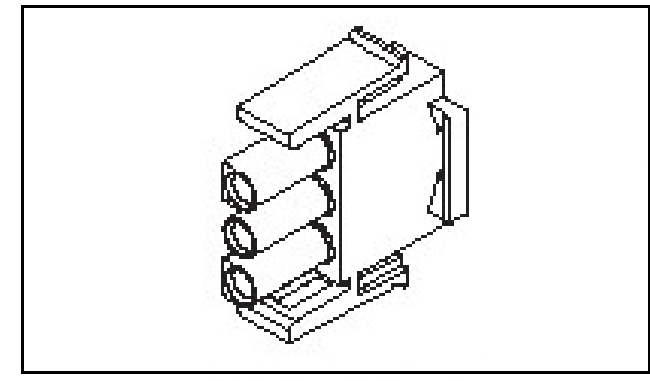


1586377-1 Product Details

[Share](#) | [Print](#) | [Email](#)


1586377-1

.250" Centerline, 600 V, 19 - 36 A max

Always EU RoHS/ELV Compliant (Statement of Compliance)

Product Highlights:

- Universal MATE-N-LOK Product Line
- Wire-to-Wire
- Applies To Wire/Cable
- Connector
- Housing

[View all Features](#)

Quick Links

- ▶ [Pricing & Availability](#)
- ▶ [Search for Tooling](#)
- ▶ [Product Feature Selector](#)
- ▶ [Contact Us About This Product](#)

TE Internal Number: 1586377-1

Active

[Add to My Part List](#)
[Request Sample](#)
[Find Similar Products](#)
[Buy Product](#)

Documentation & Additional Information	
<p>Product Drawings:</p> <ul style="list-style-type: none"> • None Available <p>Catalog Pages/Data Sheets:</p> <ul style="list-style-type: none"> • None Available <p>Product Specifications:</p> <ul style="list-style-type: none"> • None Available <p>Application Specifications:</p> <ul style="list-style-type: none"> • None Available <p>Instruction Sheets:</p> <ul style="list-style-type: none"> • None Available <p>CAD Files:</p> <ul style="list-style-type: none"> • None Available 	<p>Additional Information:</p> <ul style="list-style-type: none"> • Product Line Information <p>Related Products:</p> <ul style="list-style-type: none"> • Tooling

Product Features (Please use the Product Drawing for all design activity)	
<p>Product Type Features:</p> <ul style="list-style-type: none"> • Product Line = Universal MATE-N-LOK • Product Type = Connector • Connector Type = Housing • Sealed = No <p>Mechanical Attachment:</p> <ul style="list-style-type: none"> • Contact Retention = Without • Mating Retention Type = Latch(ing) <p>Electrical Characteristics:</p> <ul style="list-style-type: none"> • Operating Voltage Reference = AC • Operating Voltage (VAC) = 600 <p>Body Features:</p> <ul style="list-style-type: none"> • Mating Retention = With • Assembly Integration Feature = Without <p>Contact Features:</p> <ul style="list-style-type: none"> • Contact Type = Pin or Socket • Contact Layout = In-Line • Multiple Contact Types = Without <p>Housing Features:</p> <ul style="list-style-type: none"> • Connector Style = Plug • Centerline (mm [in]) = 6.35 [0.2499] • Housing Material = Nylon - GF • Housing Color = Black • Mating Alignment = With • Mating Alignment Type = Polarization 	<p>Configuration Features:</p> <ul style="list-style-type: none"> • Number of Positions = 3 • Number of Rows = 1 <p>Industry Standards:</p> <ul style="list-style-type: none"> • Agency/Standard = UL • UL Flammability Rating = UL 94V-2 • RoHS/ELV Compliance = RoHS compliant, ELV compliant • Lead Free Solder Processes = Not relevant for lead free process • RoHS/ELV Compliance History = Always was RoHS compliant • VDE Tested = Yes • UL Rating = Recognized • UL File Number = E28476 <p>Environmental:</p> <ul style="list-style-type: none"> • Operating Temperature (°C [°F]) = -55 - +125 [-67 - +257] <p>Conditions for Usage:</p> <ul style="list-style-type: none"> • Applies To = Wire/Cable • Glow Wire Rating = Standard Part - Not Glow Wire • For Use With = Appropriate Universal MATE-N-LOK Receptacle <p>Operation/Application:</p> <ul style="list-style-type: none"> • Application Use = Wire-to-Wire <p>Packaging Features:</p> <ul style="list-style-type: none"> • Packaging Method = Bag • Packaging Quantity = 100 <p>Other:</p> <ul style="list-style-type: none"> • Brand = TE Connectivity

Feedback